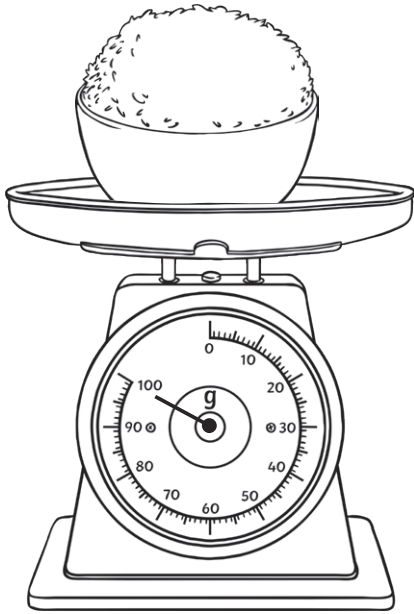
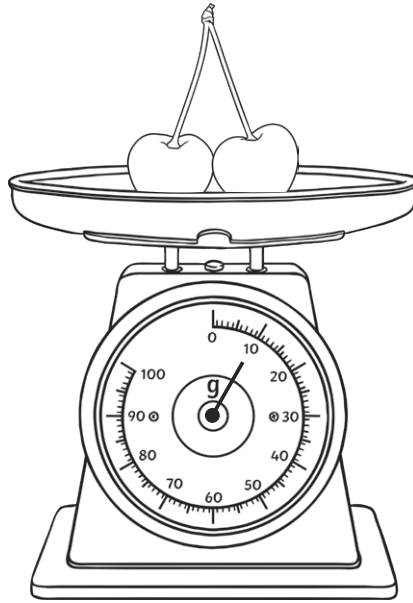


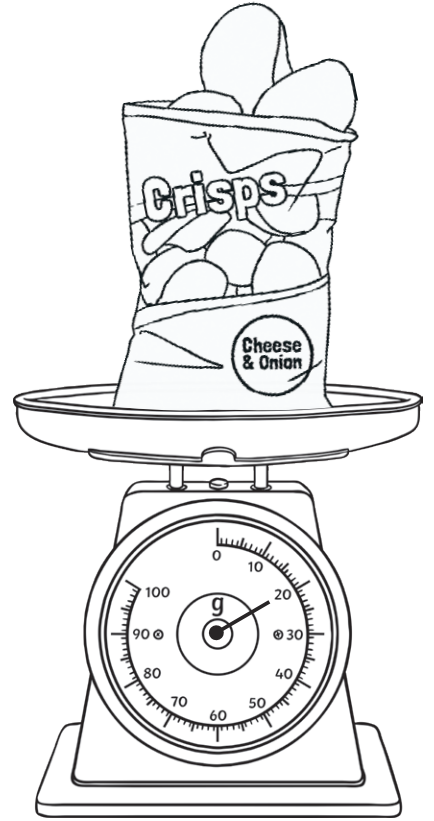
# How Many Grams?



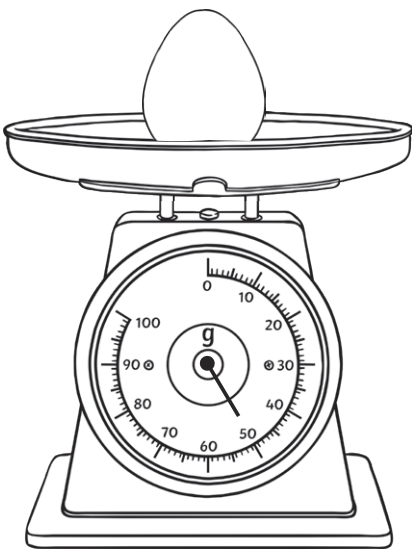
\_\_\_\_\_ g



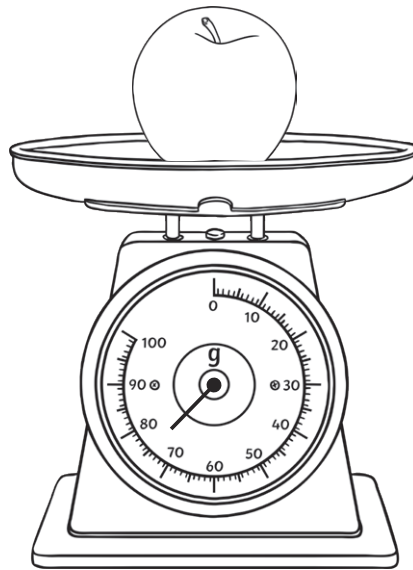
\_\_\_\_\_ g



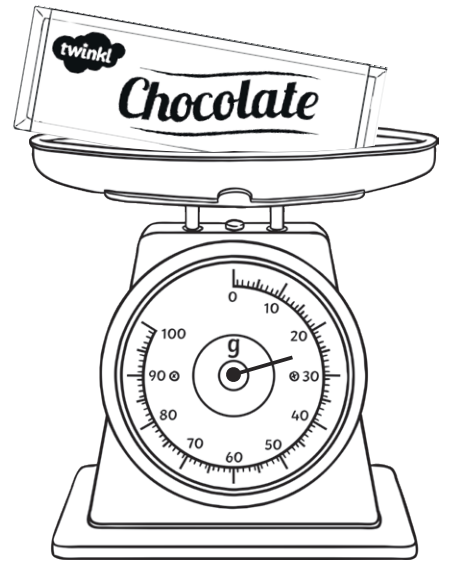
\_\_\_\_\_ g



\_\_\_\_\_ g

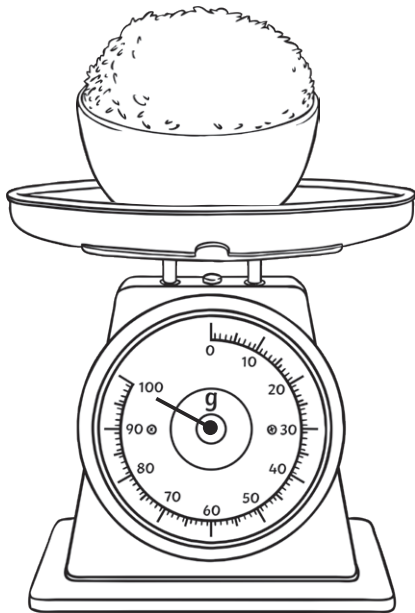


\_\_\_\_\_ g

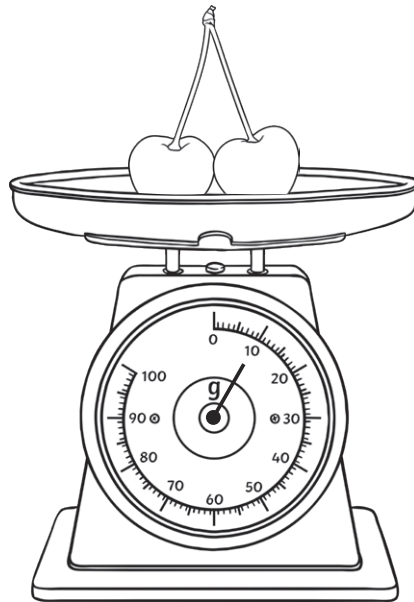


\_\_\_\_\_ g

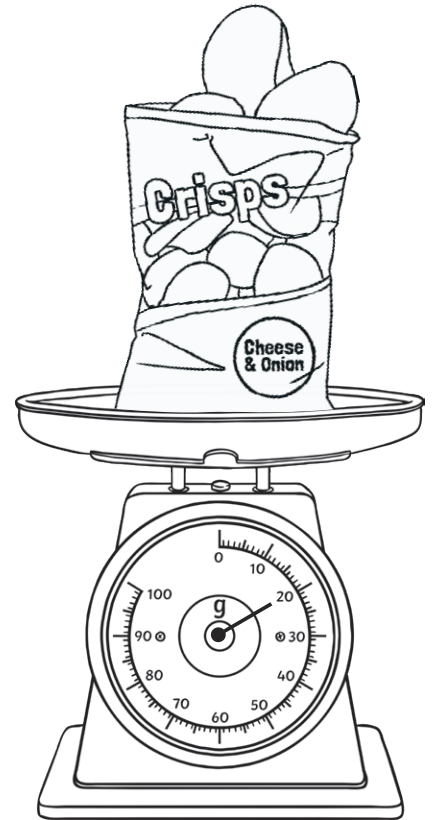
# How Many Grams? Answers



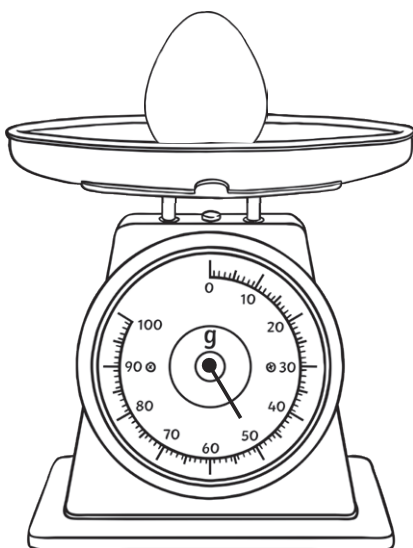
100 g



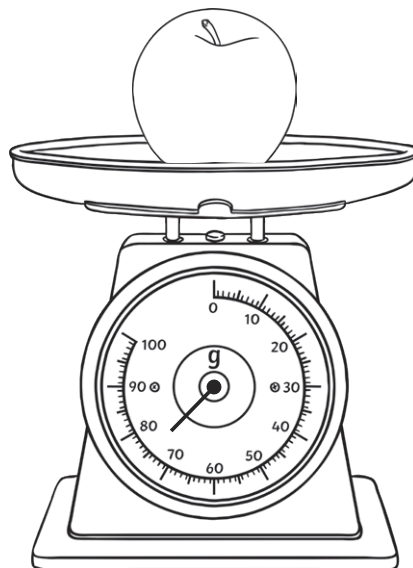
10 g



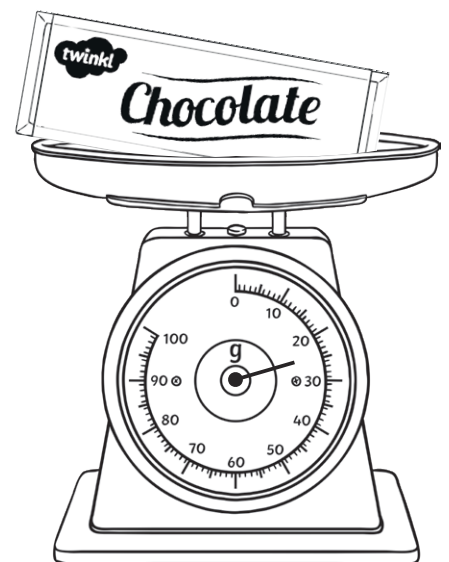
20 g



50 g



75 g



25 g