



# Comparing Measurements

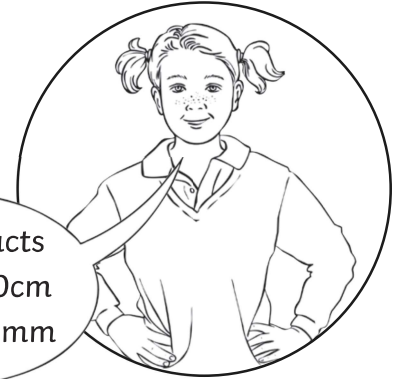
I can compare measurements in m, cm and mm.



1) Compare these measurements using  $<$ ,  $>$  or  $=$ .

12cm		15cm
9cm		4cm
1cm		10mm
35mm		4cm
8m		4m
6m		12m
3m		350cm
4m		400cm

Useful Facts  
 $1\text{m} = 100\text{cm}$   
 $1\text{cm} = 10\text{mm}$



2) Order these measurements from shortest to longest.

a) 10cm      25mm      3m

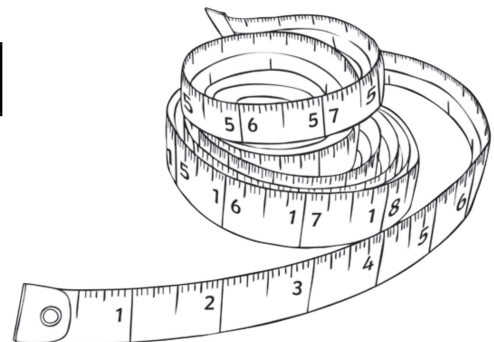
--	--	--

b) 45mm      1m      20cm

--	--	--

c) 3cm      5m      50mm

--	--	--





3) Here are some lines, along with their measurements.  
Some measurements are in cm, some are in mm.



Order the lines from longest to shortest:

longest		shortest	
line	line	line	line

4) Here are the heights of Leo's family:

Leo: 1m 64cm	Lucy (sister): 86cm	Dad: 1m 96cm	Mum: 1m 53cm
--------------	---------------------	--------------	--------------

Order the family from shortest to tallest:

shortest		tallest	