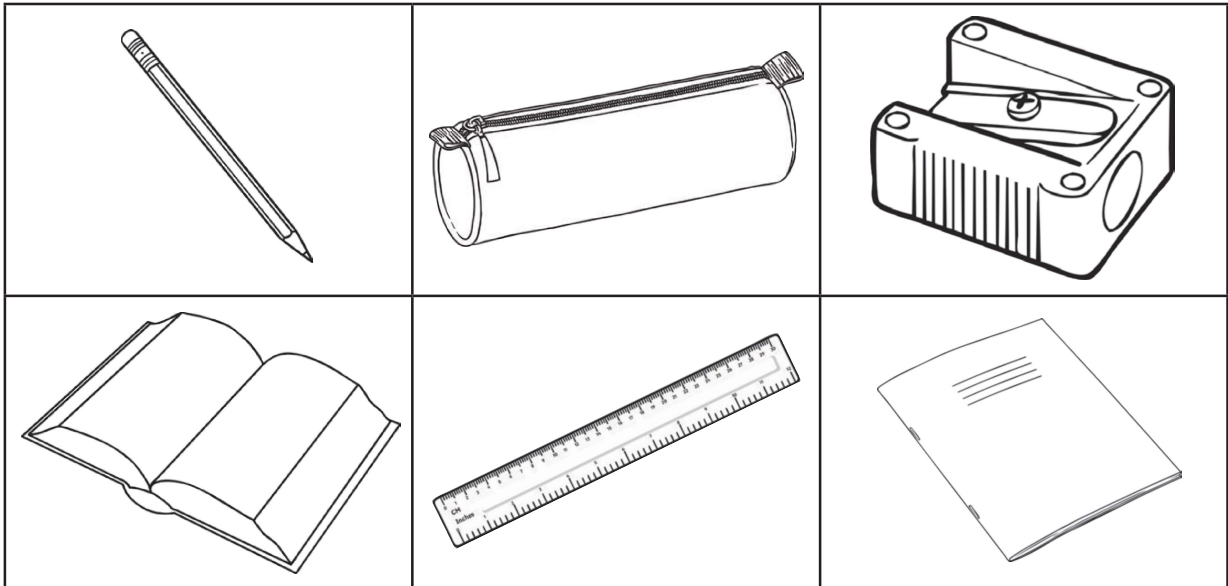


Length

1. Colour the things you think are longer than 15cm **red**.
Colour the things you think are shorter than 15cm **yellow**.



2. Now measure these items with your ruler.

Pencil = _____ cm Sharpener = _____ cm Copy book = _____ cm
Ruler = _____ cm Maths book = _____ cm Pencil case = _____ cm

3. There are _____ centimetres in a metre.
4. There are _____ centimetres in half a metre.
5. There are _____ centimetres in a quarter of a metre.
6. Change centimetres to metres and centimetres.

	Metres	Centimetres
107cm		
210cm		
350cm		
418cm		
119cm		
200cm		
367cm		
24cm		

7. Change metres and centimetres to centimetres.

	Centimetres
1m 32cm	
0m 48cm	
3m 87cm	
4m 50cm	
3m 99cm	
2m 75cm	
0m 88 cm	
6m 55cm	
9m 41cm	

8. Use a metre stick to measure these items and record your results.
Write in metres and centimetres.

Item	Estimate	Measure	Difference
Width of whiteboard			
Width of window			
Your height			
Width of classroom door			
Length of your table			
Height of your chair			

