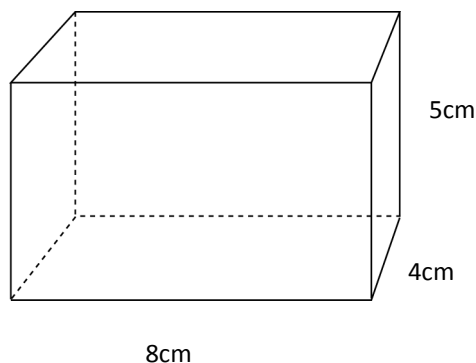
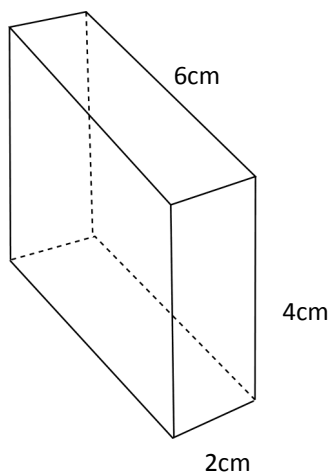


Volume

1. What is the volume of this cuboid?



2. Find the volume of this cuboid.



3. The length, width and height of a cuboid are: 5cm, 2cm and 3cm. What is its volume?

4. Find the missing measurements in this table:

Length	Width	Height	Volume
10cm	4cm	3cm	
	6cm	2cm	60cm^3
8cm	2cm		48cm^3
10m		6m	180m^3
9mm	2mm		72mm^3

5. a) A cuboid has a volume of 72cm^3 . If the length, width and height are all whole numbers, how many different sets of measurements can you find?

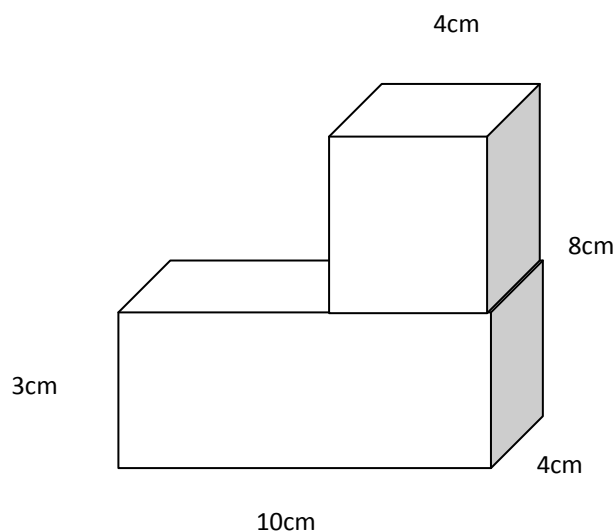
b) How many can you find for a cuboid with volume 96cm^3 ?

6. What is the volume of a cube which has an edge measuring 2cm?
7. One face of a cube has an area of 25cm^2 . What is its volume?
8. The surface area of a cube is 96cm^2 . What is the length of one side?
What is its volume?
9. A cube has a volume of 216cm^3 . What is the length of one side?
10. Kloggs Cereal Company is wanting to sell its new breakfast cereal—Choco Crispy Poppers. A 500g portion will take up 700cm^3 . The box manufacturer makes 3 sizes of cardboard boxes:

Box	Length (cm)	Width (cm)	Height (cm)	
A	40	4	4	
B	25	5	6	
C	30	6	4	

Which box would be most suitable for a 500g portion of Choco Crispy Poppers?

11. A cuboid has 3 different sized faces. The areas of 2 of the faces are 84cm^2 and 56cm^2 . The volume of the cuboid is 672cm^3 . Find
 - a) the length, width and height of the cuboid.
 - b) the area of the third face.
12. Find the volume of this shape.



12. Find the volume of these shapes:

