

Please make sure that you print this resource at 100% so that all measurements are correct.

To do this, follow the relevant steps below.

Adobe Reader or Adobe Acrobat

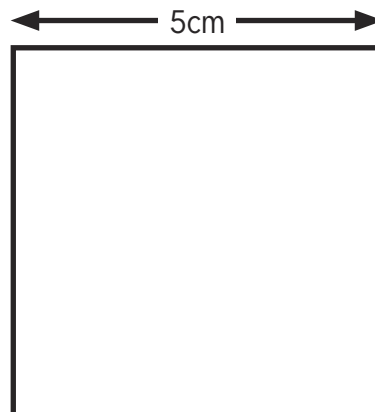
- Adobe Reader is a free PDF viewer, from Adobe. To install a copy of Adobe Reader, go to <https://get.adobe.com/uk/reader/>.
- Once Adobe Reader is installed, open your PDF.
- Go to File>Print.
- Under 'Page Sizing & Handling', select 'Size'.
- From here, make sure that 'Actual Size' is selected.
- Print this page as a test, making sure that the shape below is the correct size once printed.
- If the test print is correct, print your PDF.

Foxit Reader

- Go to File>Print.
- Set the 'Scaling' to 'None'.
- Print this page as a test, making sure that the shape below is the correct size once printed.
- If the test print is correct, print your PDF.

Web Browser

- If printing from a web browser, such as Chrome, Firefox or Microsoft Edge make sure that your printer is set to print at 100%, either by unticking 'Fit to Page' or selecting 'Actual Size'.
- Print this page as a test, making sure that the shape below is the correct size once printed.
- If the test print is correct, print your PDF.





Estimating and Measuring

I can estimate and measure length in centimetres.



- 1) Choose six objects from around the room. Estimate how long you think the object is in centimetres, then use a ruler to measure it.

Object	Estimate (cm)	Measurement (cm)

- 2) Use your ruler to measure these lines:

a)

cm

b)

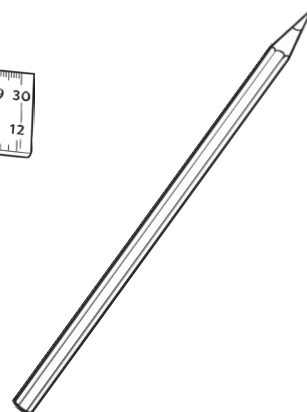
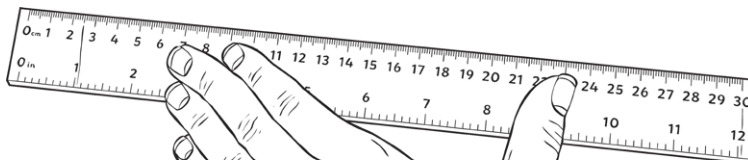
cm

c)

cm

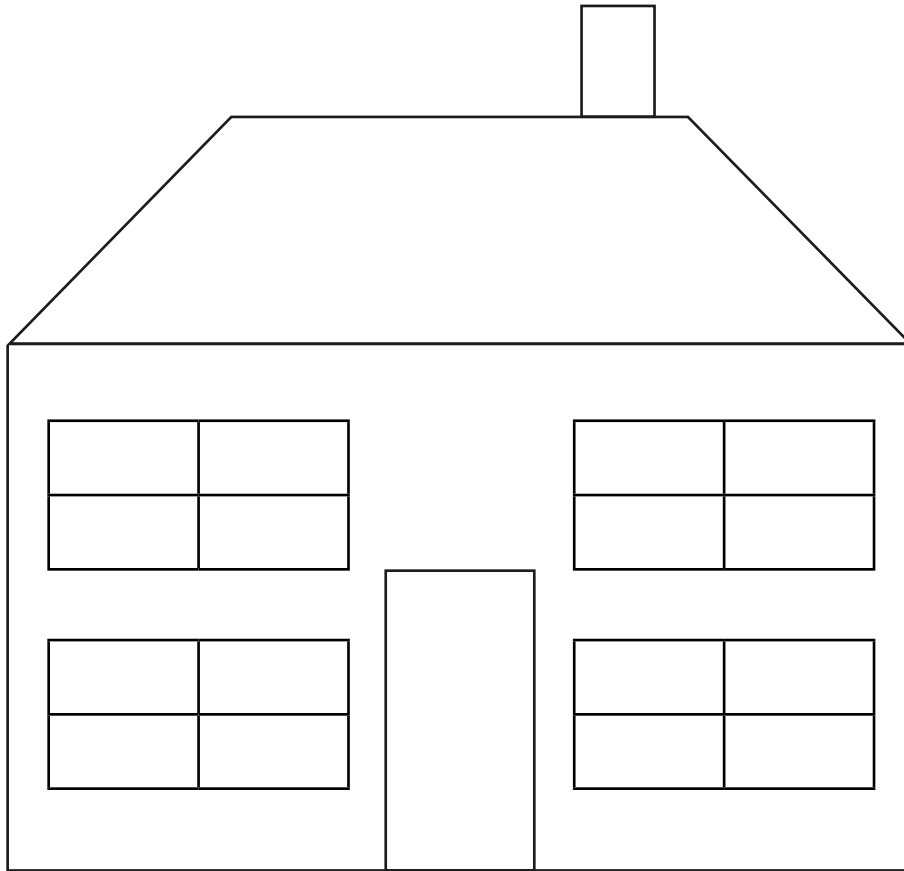
d)

cm





2) Use your ruler to find these measurements:



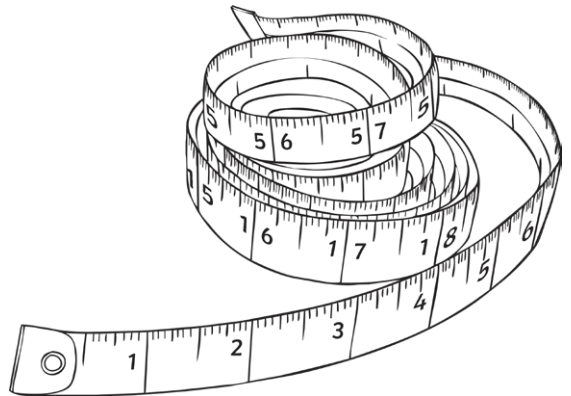
a) The height of the house to the top of the roof, not including the chimney.

b) The height of the door.

c) The width of the window.

d) The width of the house.

e) The height of the chimney.





Estimating and Measuring Answers

I can estimate and measure length in centimetres.



- 1) Choose 6 objects around the room. First of all estimate (in centimetres) how long you think each object is, then measure it in centimetres.

Answers dependent upon the objects chosen. Children can mark each other's items.

- 2) Use your ruler to measure these lines:

- a) **7cm**
- b) **10cm**
- c) **4cm**
- d) **12cm**

- 3) Use your ruler to find these measurements:

- a) The height of the house to the top of the roof, not including the chimney.
10cm
- b) The height of the door?
4cm
- c) The width of the window?
4cm
- d) The width of the house?
12cm
- e) The height of the chimney?
2cm



Estimating and Measuring


I can estimate and measure length in centimetres.





- 1) Choose six objects from around the room. Estimate how long you think the object is in centimetres, then use a ruler to measure it.


Object	Estimate (cm)	Measurement (cm)

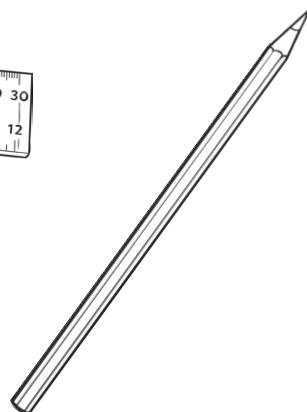
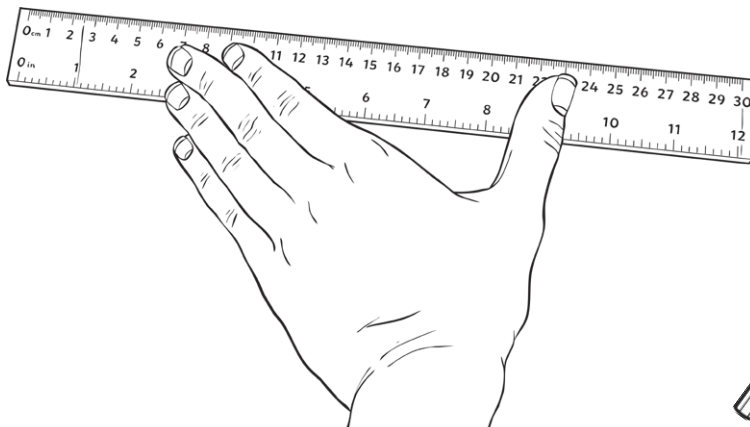
- 2) Use your ruler to measure these lines:

a)  cm

b)  cm

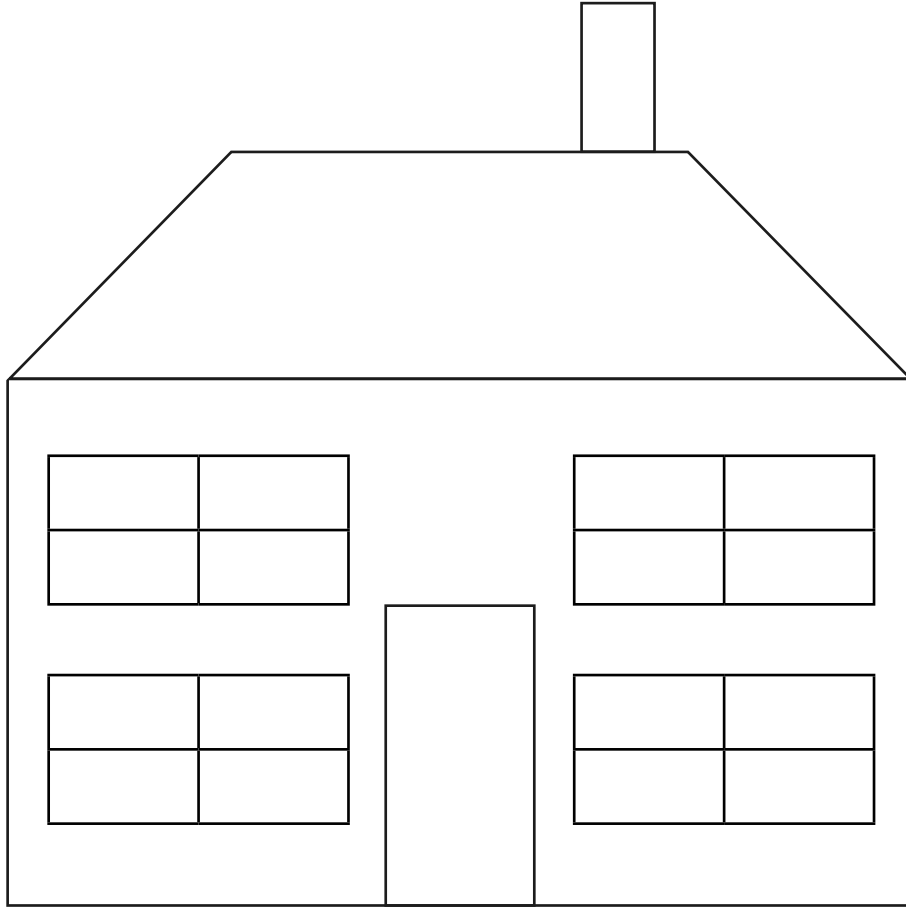
c)  cm

d)  cm





2) Use your ruler to find these measurements:



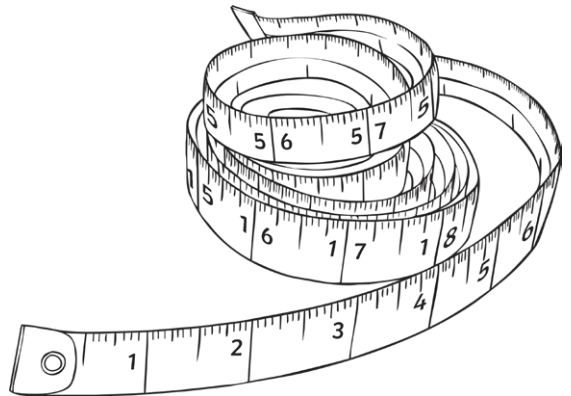
a) The height of the house to the top of the roof, not including the chimney.

b) The width of the door.

c) The height of the window.

d) The width of the house.

e) The width of the chimney.





Estimating and Measuring Answers

I can estimate and measure length in centimetres.



- 1) Choose 6 objects around the room. First of all estimate (in centimetres) how long you think each object is, then measure it in centimetres.

Answers dependent upon the objects chosen. Children can mark each other's items.

- 2) Use your ruler to measure these lines:

- a) **7cm**
- b) **10cm**
- c) **4cm**
- d) **12cm**

- 3) Use your ruler to find these measurements:

- a) The height of the house to the top of the roof, not including the chimney.
10cm
- b) The width of the door?
2cm
- c) The height of the window?
2cm
- d) The width of the house?
12cm
- e) The width of the chimney?
1cm



Estimating and Measuring

I can estimate and measure length in centimetres.



- 1) Choose six objects from around the room. Estimate how long you think the object is in centimetres, then use a ruler to measure it.

Object	Estimate (cm)	Measurement (cm)


- 2) Use your ruler to measure these lines:

a) 


 cm

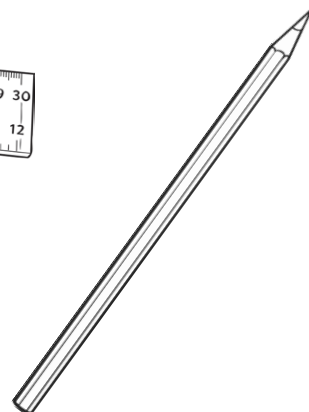
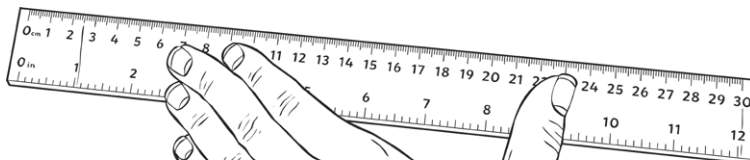
b) 

 cm

c) 

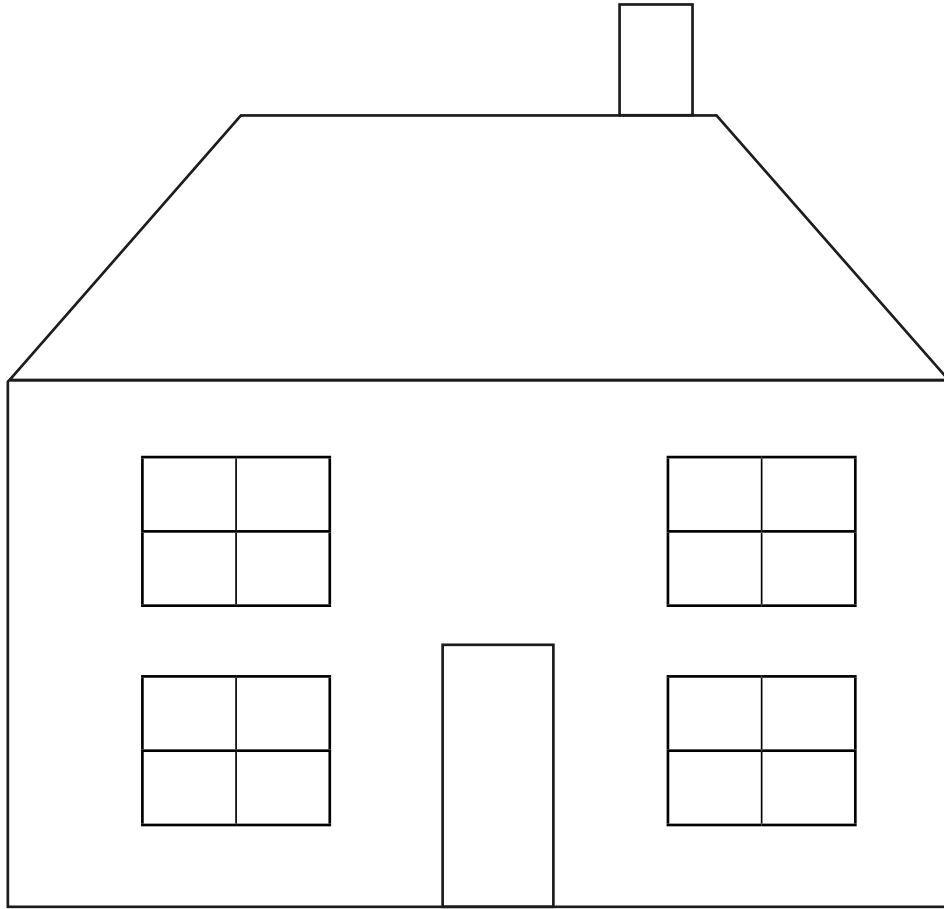
 cm

d) 

 cm



2) Use your ruler to find these measurements:



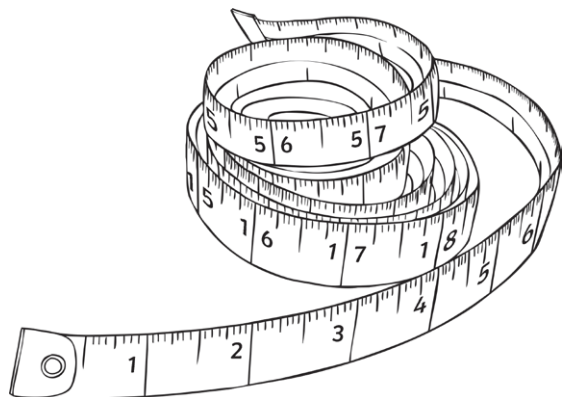
a) The height of the house to the top of the roof, not including the chimney.

b) The width of the door.

c) The height of the window.

d) The width of the house.

e) The height of the chimney.





Estimating and Measuring Answers

I can estimate and measure length in centimetres.



- 1) Choose 6 objects around the room. First of all estimate (in centimetres) how long you think each object is, then measure it in centimetres.

Answers dependent upon the objects chosen. Children can mark each other's items.

- 2) Use your ruler to measure these lines:

- a) **7.5cm**
- b) **10cm**
- c) **4.5cm**
- d) **12cm**

- 3) Use your ruler to find these measurements:

- a) The height of the house to the top of the roof, not including the chimney.
10.5cm
- b) The width of the door?
1.5cm
- c) The height of the window?
2cm
- d) The width of the house?
12.5cm
- e) The height of the chimney?
1.5cm