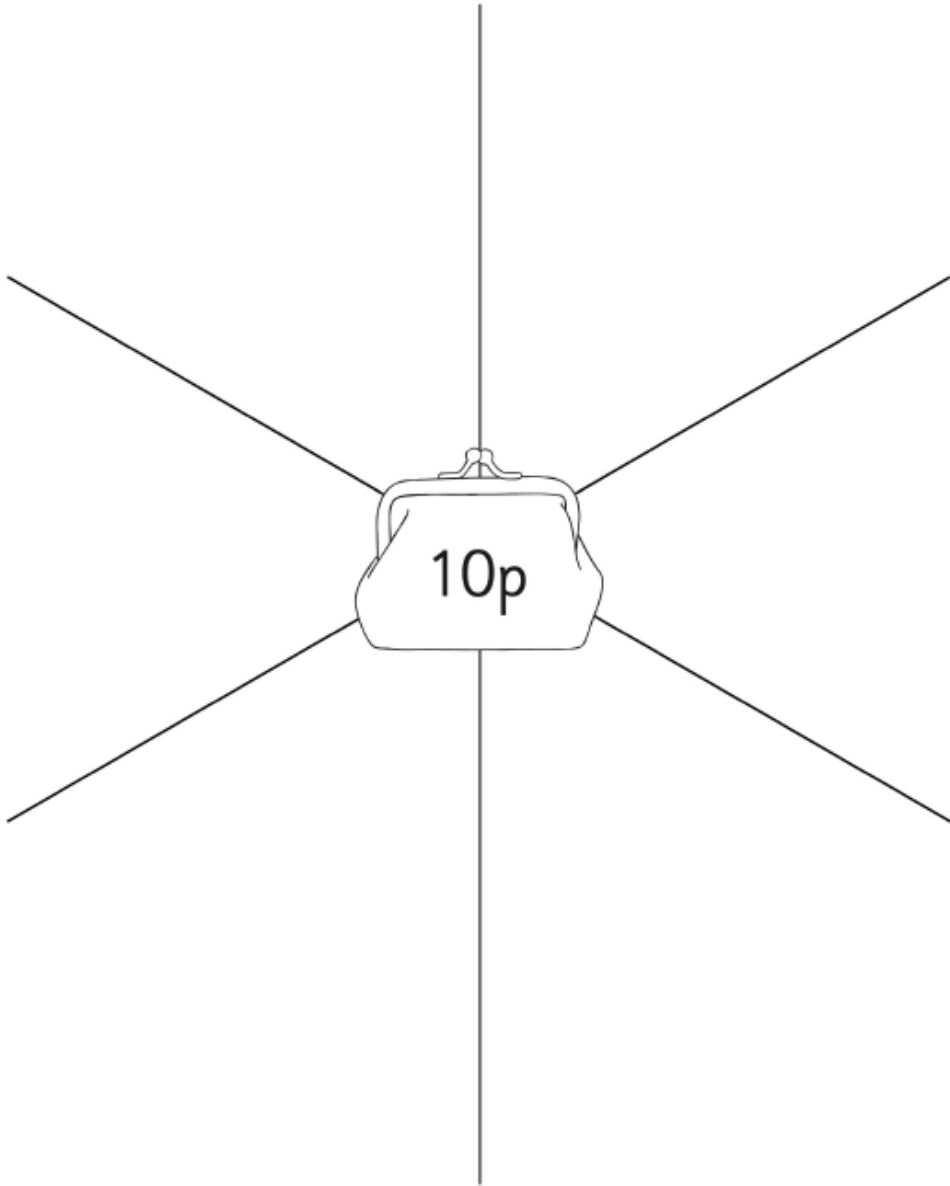


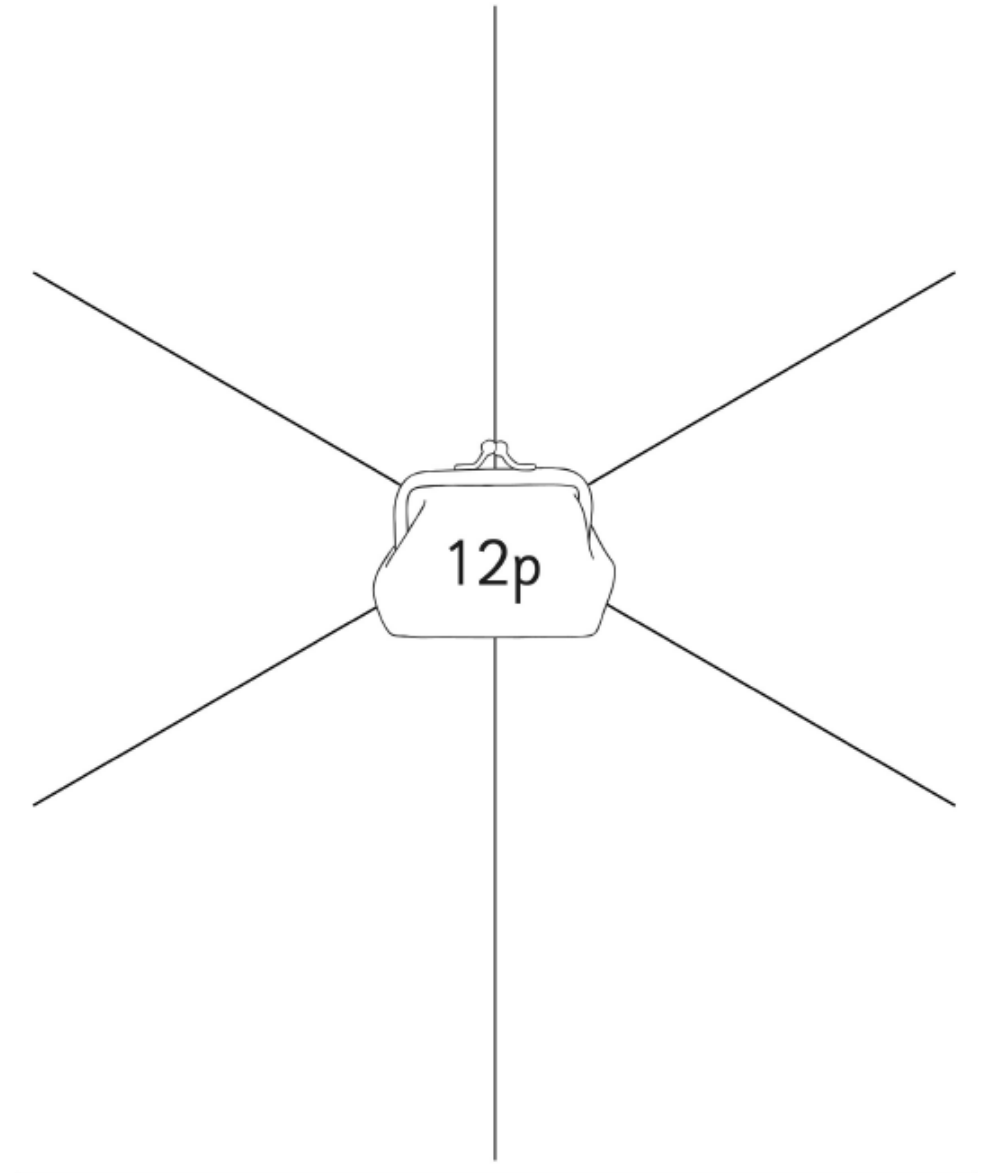
Show Me the Money!

Can you find different ways to make the same amount as the money in the purse?



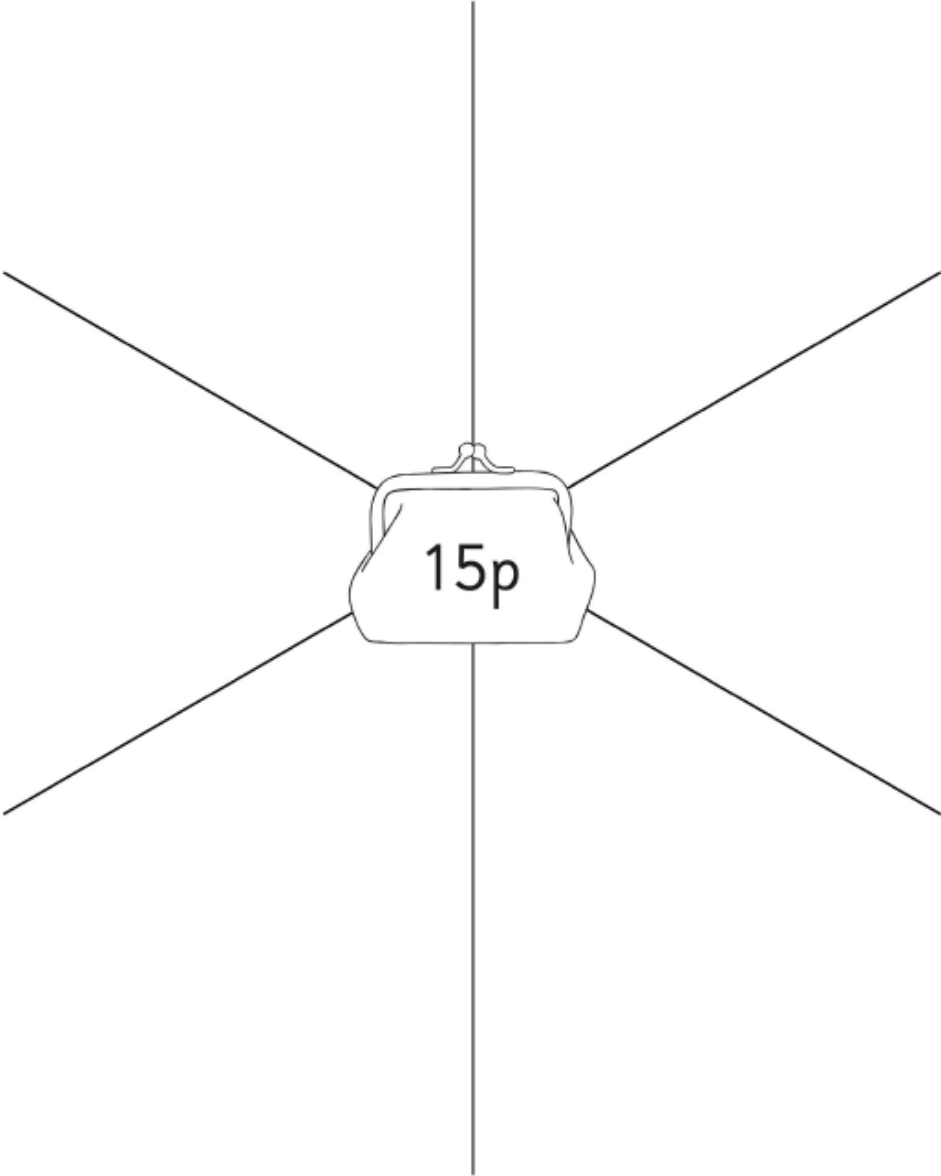
Show Me the Money!

Can you find different ways to make the same amount as the money in the purse?



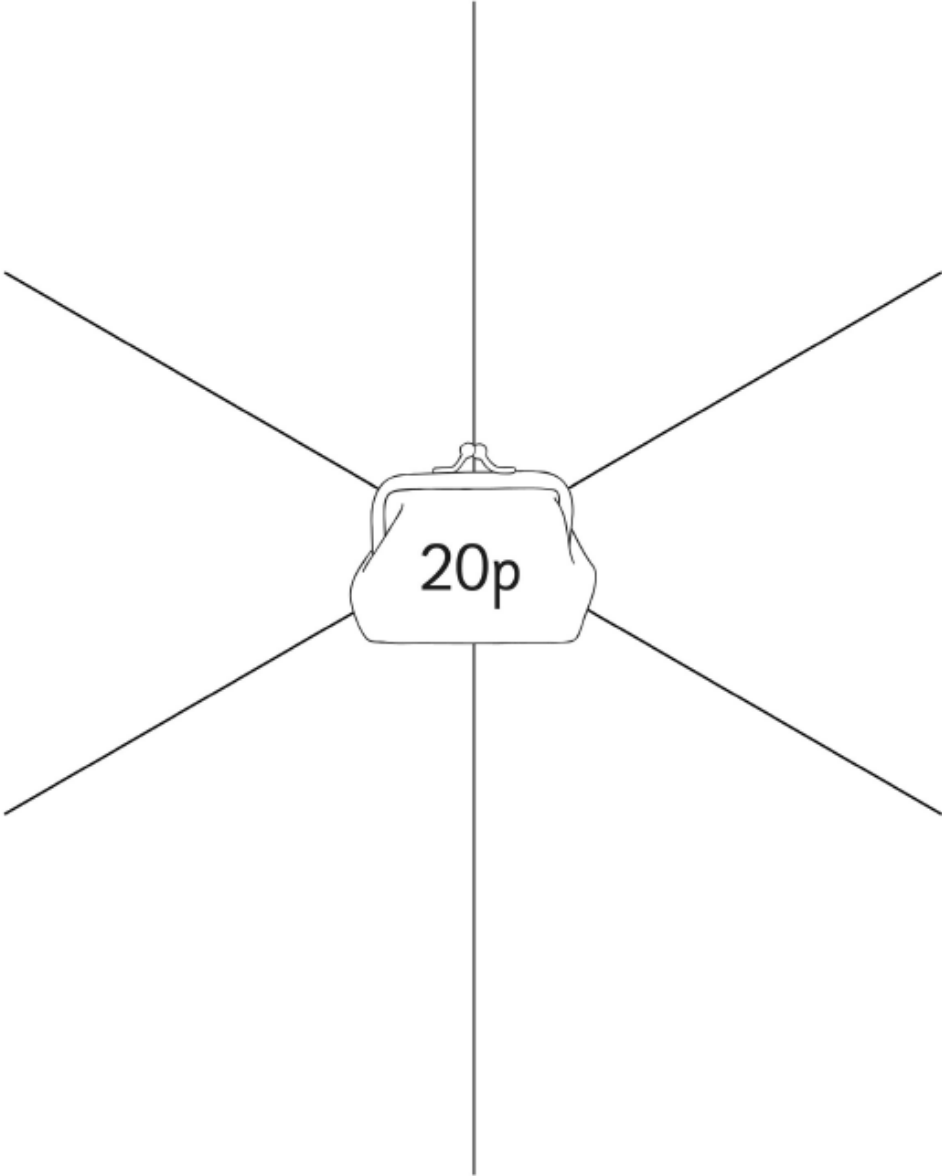
Show Me the Money!

Can you find different ways to make the same amount as the money in the purse?



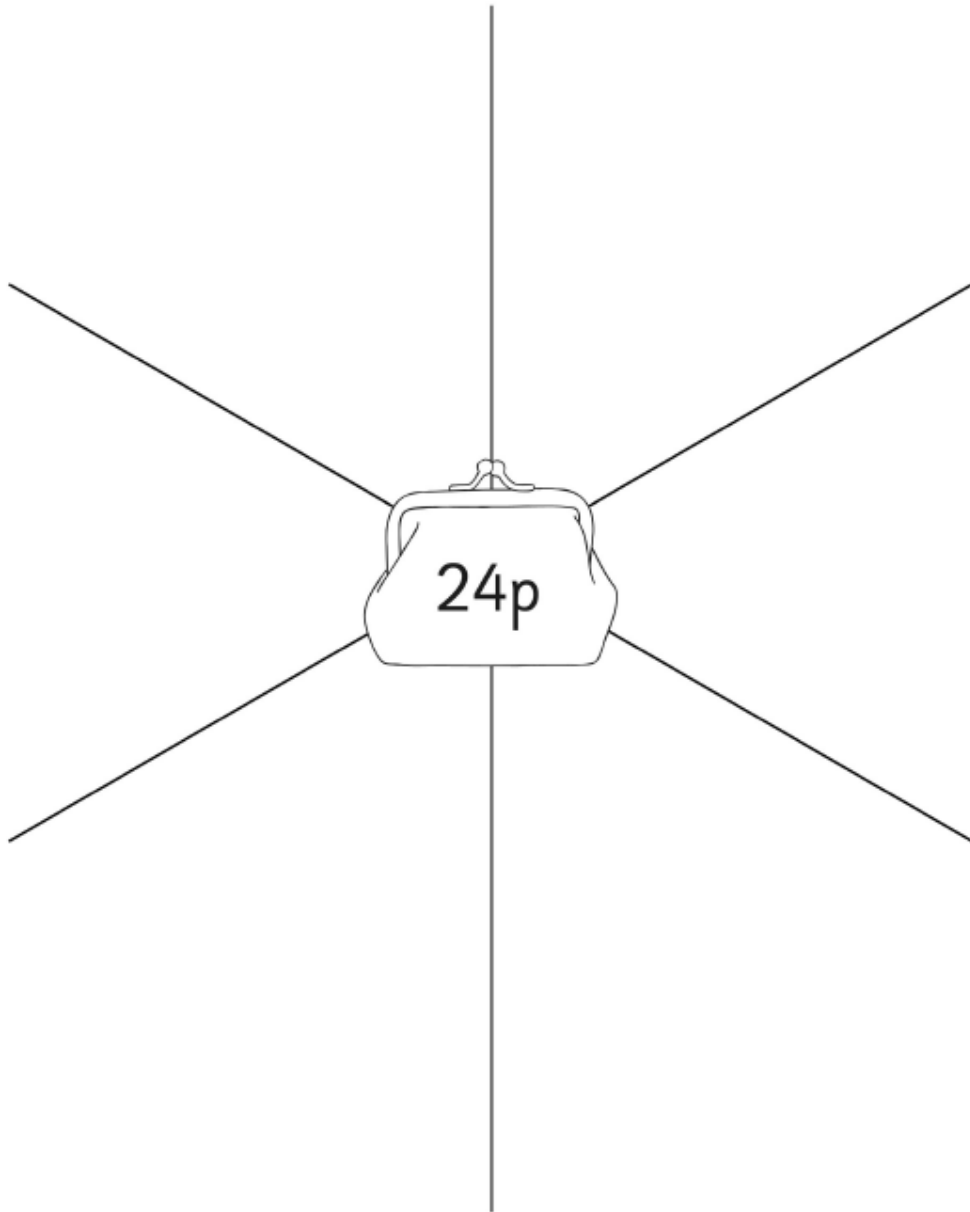
Show Me the Money!

Can you find different ways to make the same amount as the money in the purse?



Show Me the Money!

Can you find different ways to make the same amount as the money in the purse?



Show Me the Money!

Can you find different ways to make the same amount as the money in the purse?

