

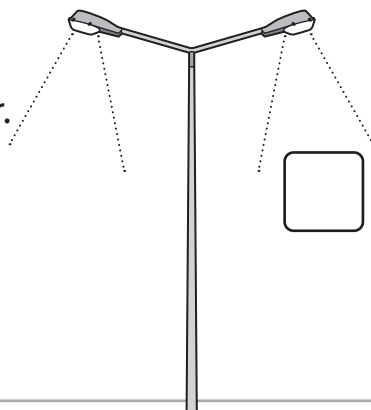
## Compare, describe and solve problems for lengths and heights

1 Which is shorter? Put a tick (✓) by your answer.



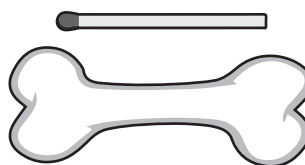


2 Which is taller?  
Put a tick (✓) by your answer.



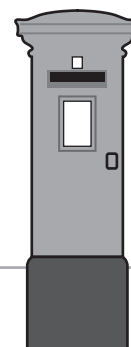


3 Write a word to complete each sentence, so that it compares the **length** or **height**.



a The matchstick is ..... than the dog bone.

b The flagpole is ..... than the postbox.



4 How many cricket bats would you need to **equal** the length of the wood?

