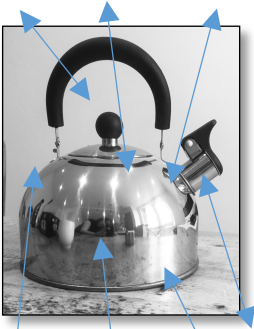


# Drawing Skills: Kettle

LI:

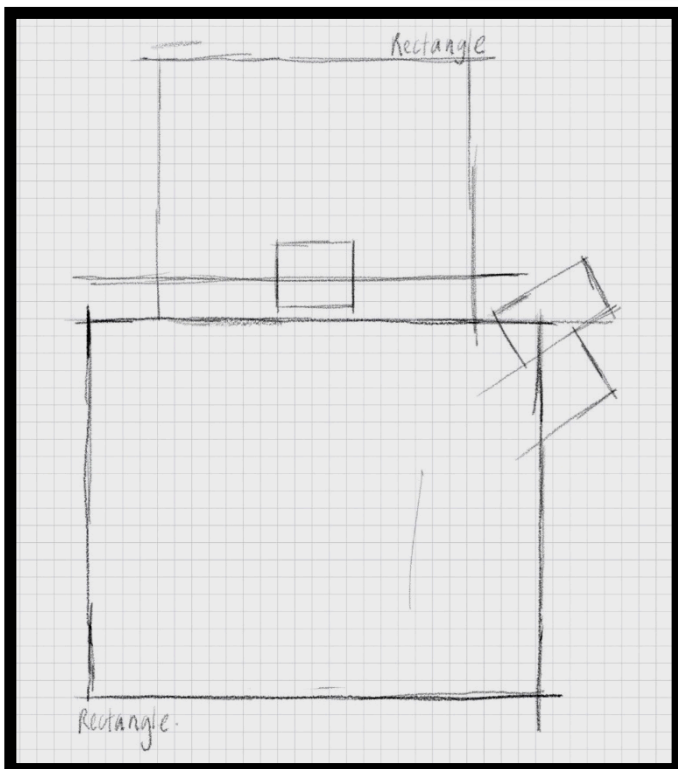
I am learning  
how to create a  
tonal study

Handle Lid Flange  
(rim/ridge)

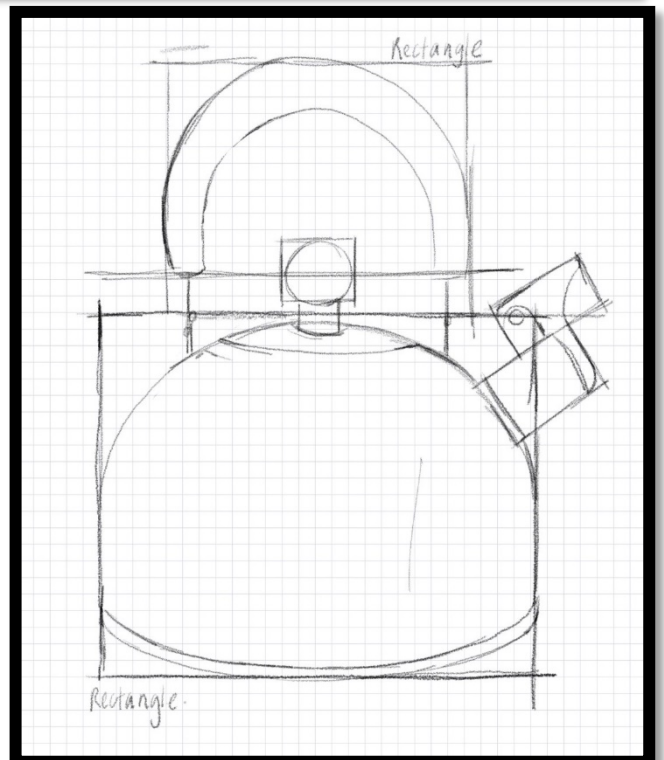


Shoulder Body Base Spout

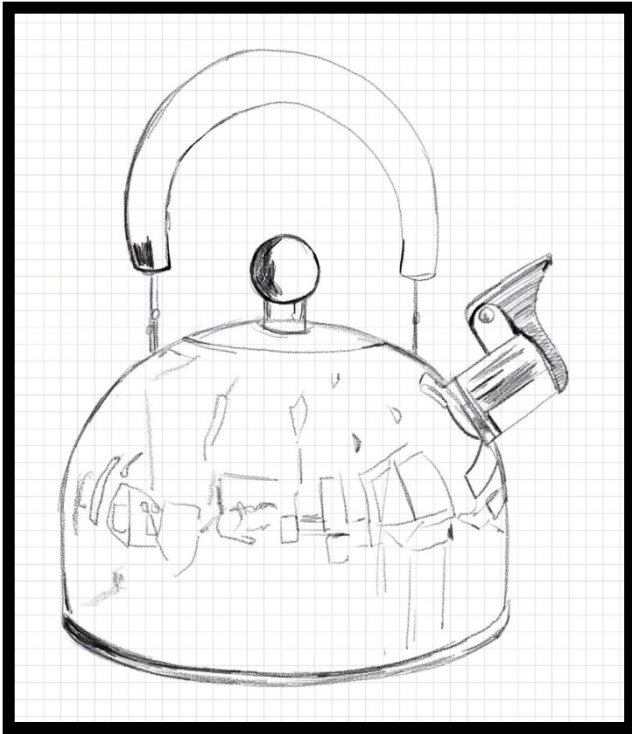
## Kettle Autonomy



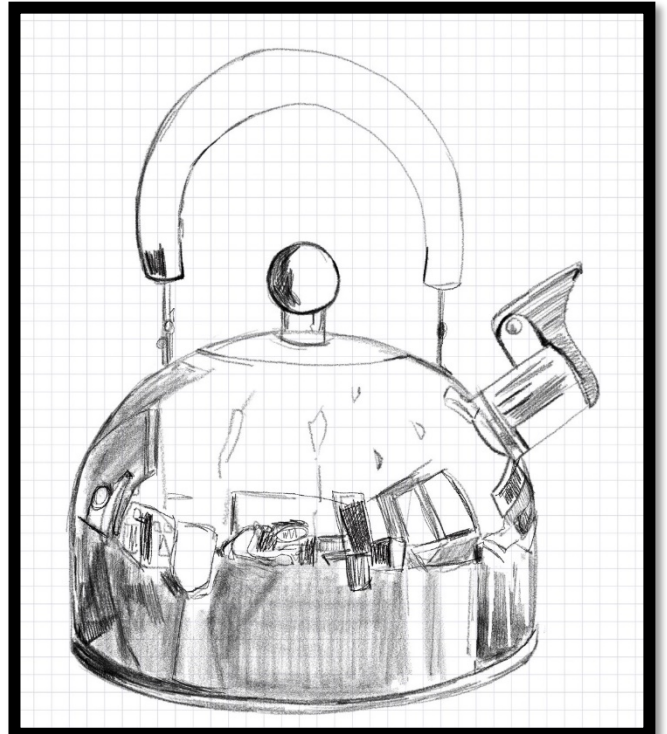
SC: I can break an image  
down into basic shapes



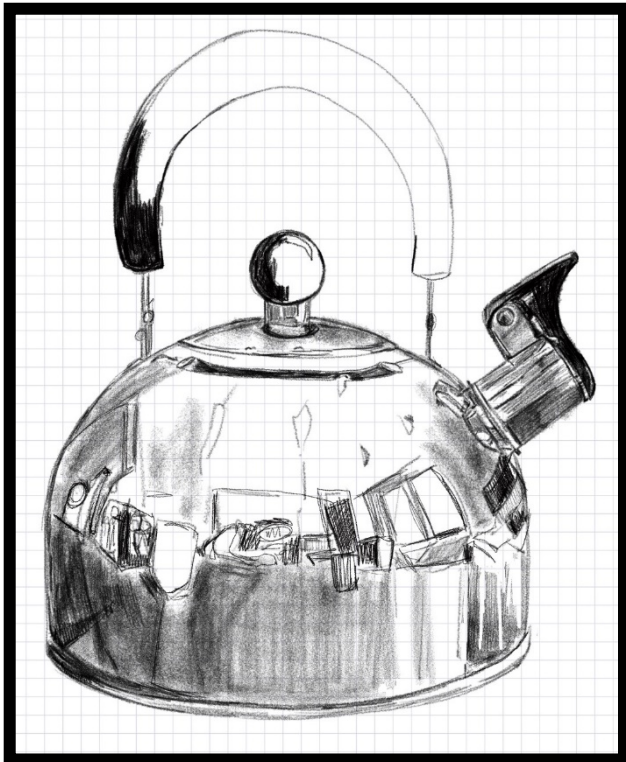
SC: I can modify basic  
shapes to record extra detail



**SC: I can record ellipses to show form**



**SC: I can identify highlights, mid-tones and**



**SC: I can identify highlights, mid-tones, shadows and reflections**