

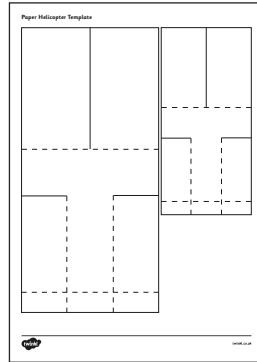
Awe and Wonder

Sycamore Seed Helicopters

You will need:



scissors



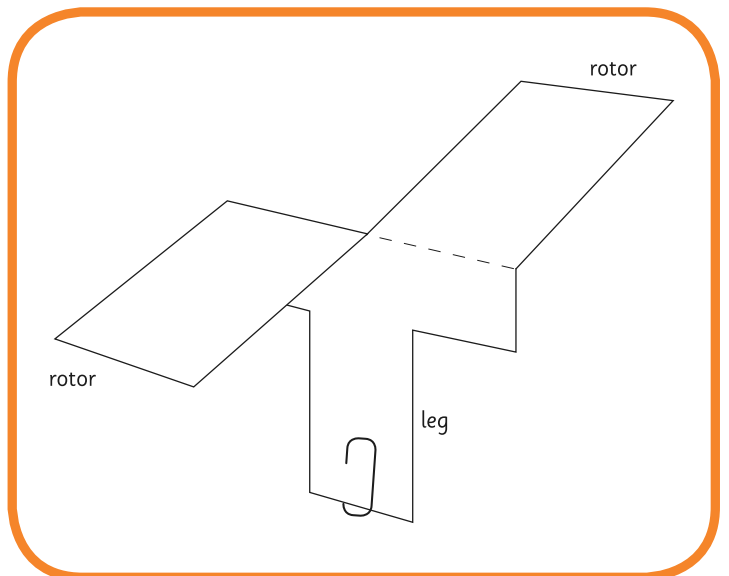
helicopter template



paper clips

Method:

1. Cut out the helicopter template carefully using scissors.
2. Fold along the dotted lines as shown to make a 'T' shape.
3. Attach a paper clip to the bottom of the helicopter.
4. Hold your helicopter in the air and release. Watch it spin to the ground.



The Science

Sycamore seeds are designed to catch the wind as they fall and 'fly' far away from the tree in order to grow a new tree. The air pushes upwards against the 'wings' of the seed (and the arms of your helicopter) and pushes them in opposite directions, making the seed spin.