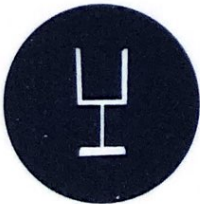
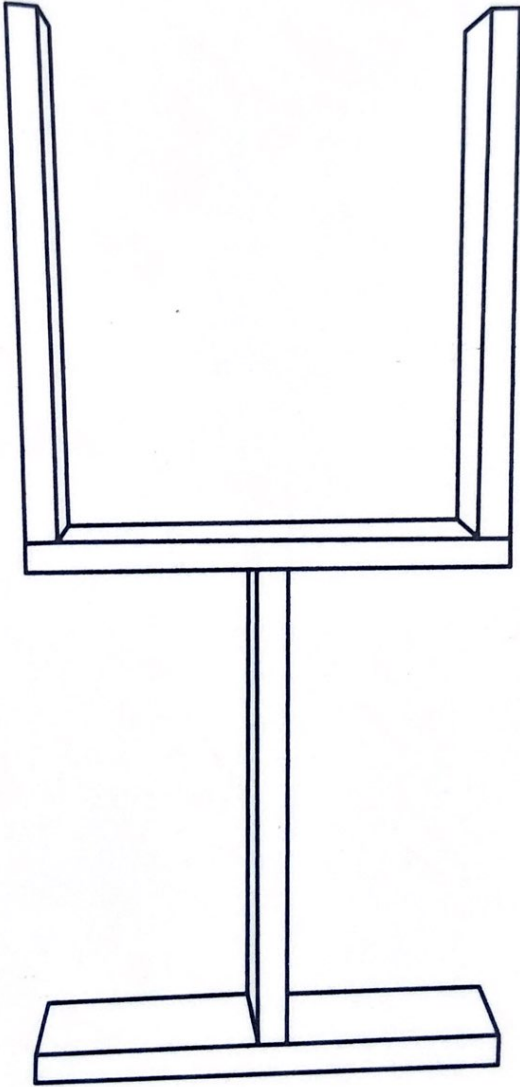
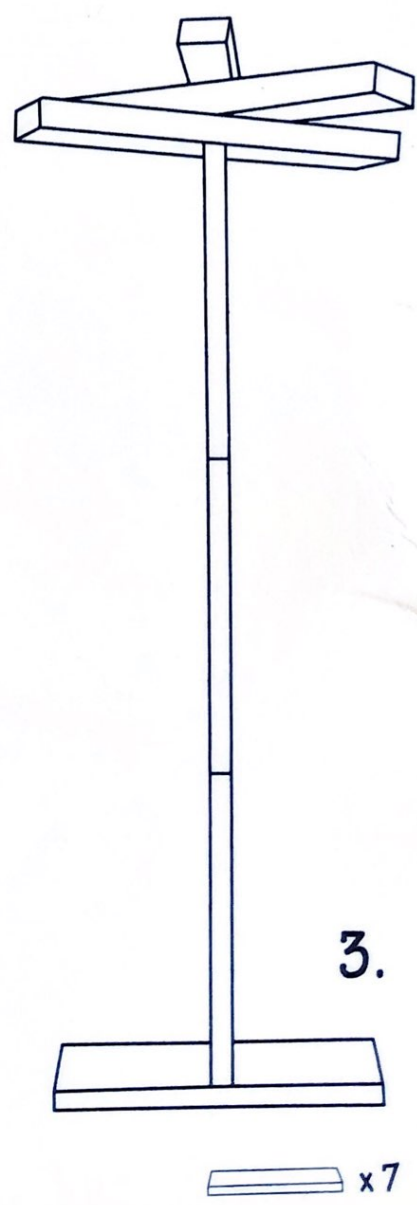
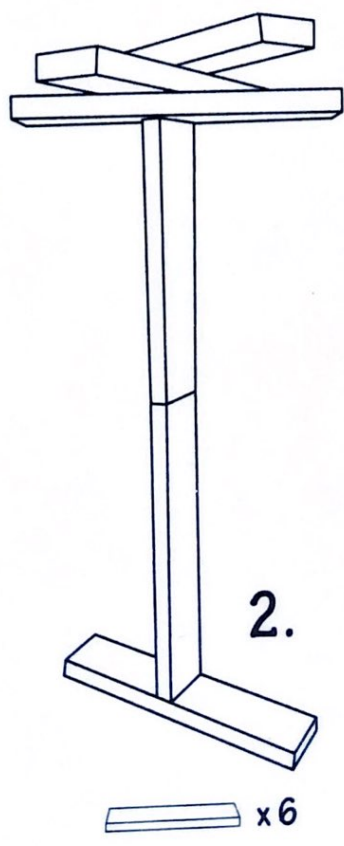
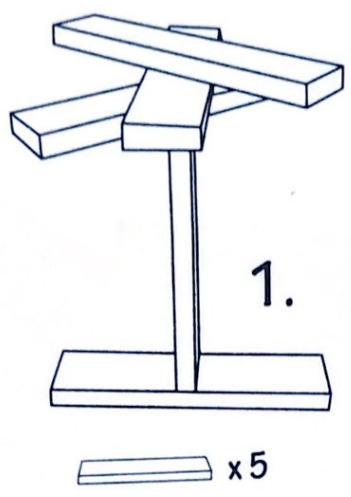


The glass



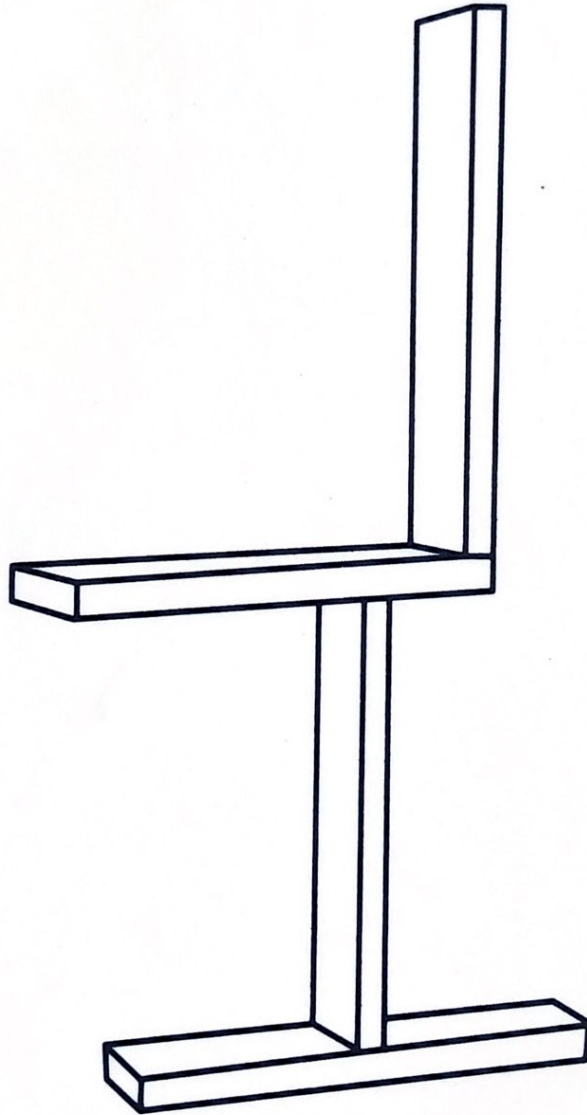
 x5



The growing flower



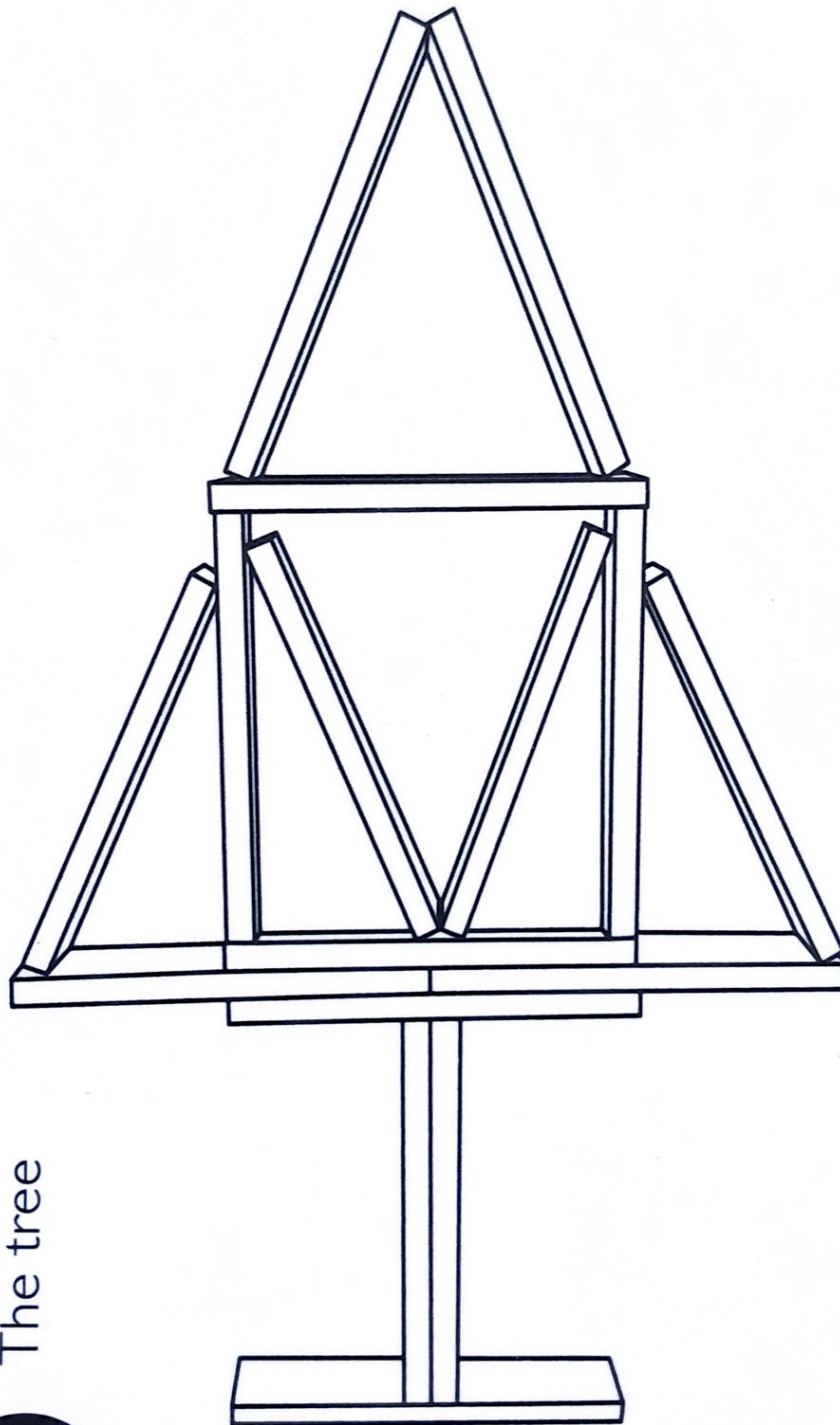
3/12



The chair



4/12

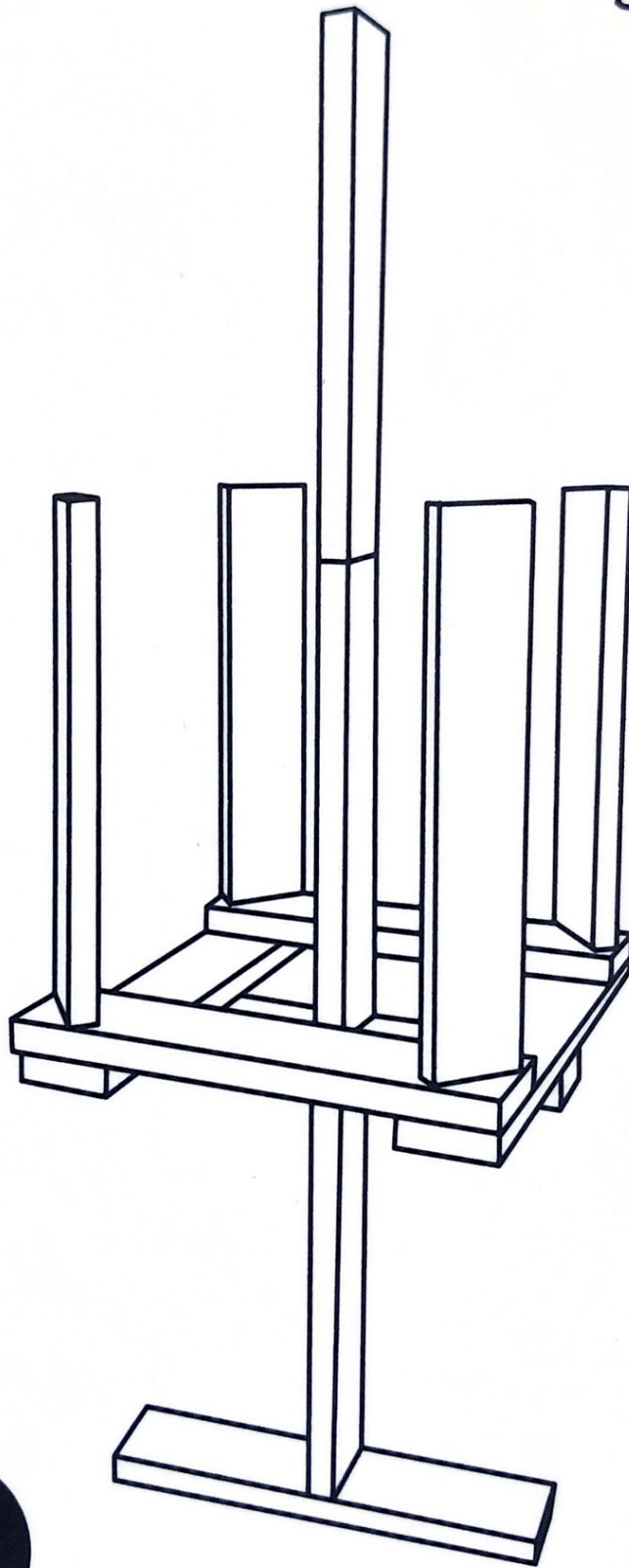


The tree



 x 16

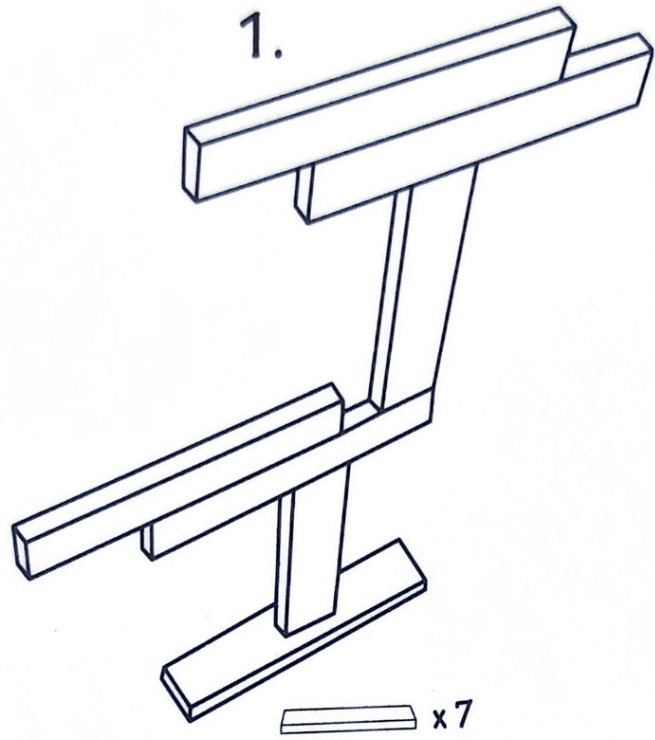
5/12



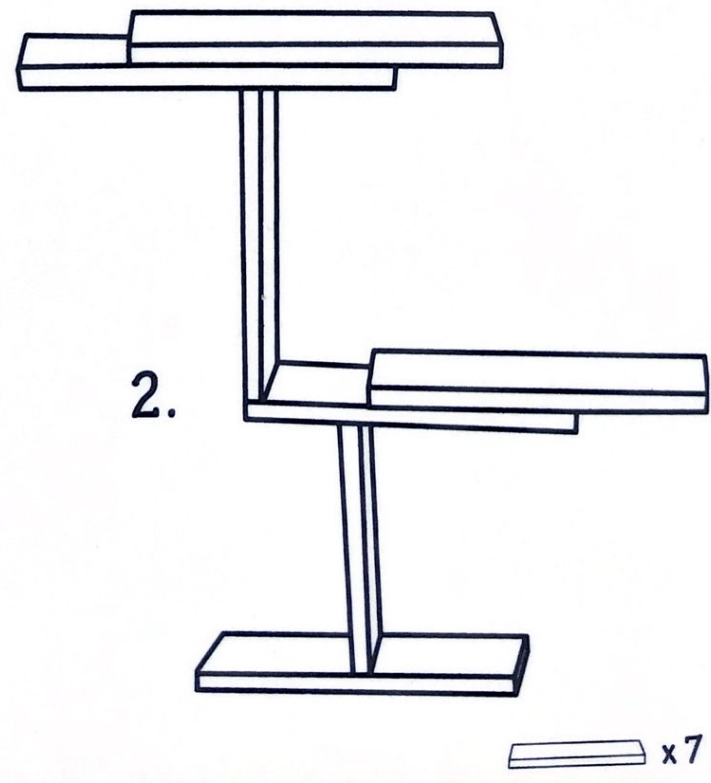
The candlestick



 x 13

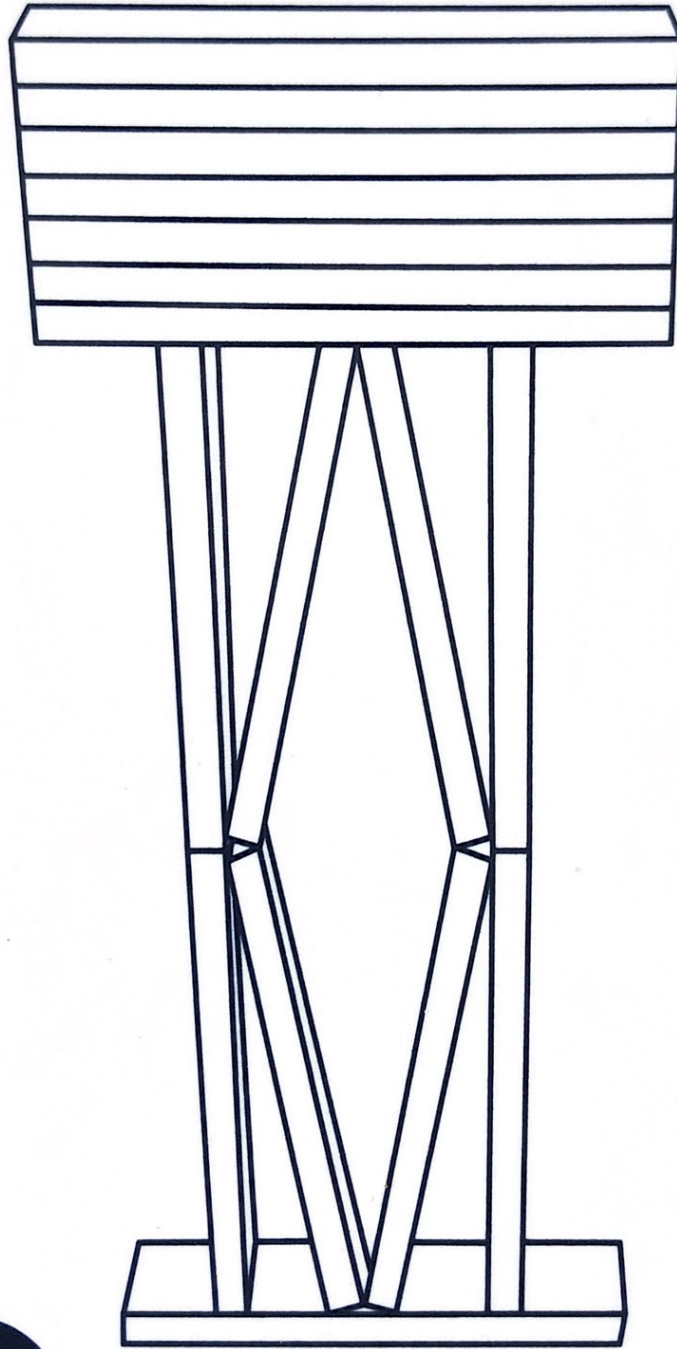


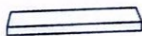
The desert birds



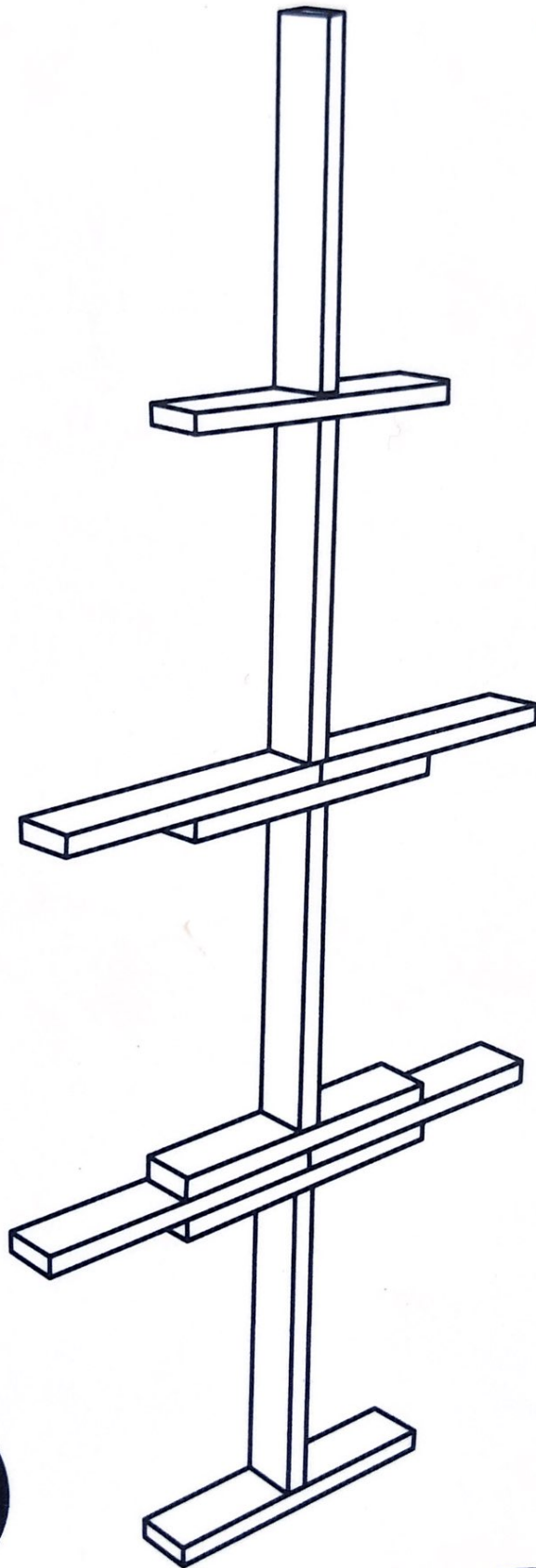
7/12

The mailbox



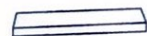
 x 16

8/12

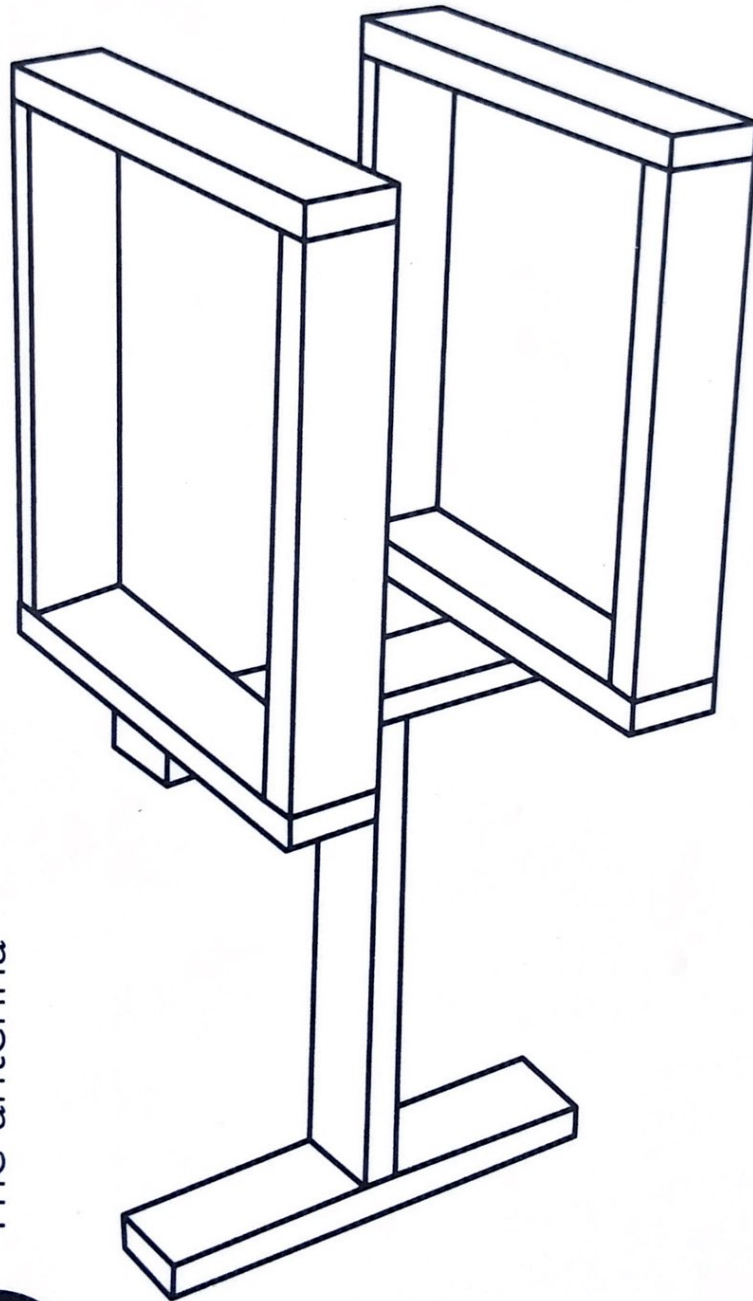


The big mast



 x 13



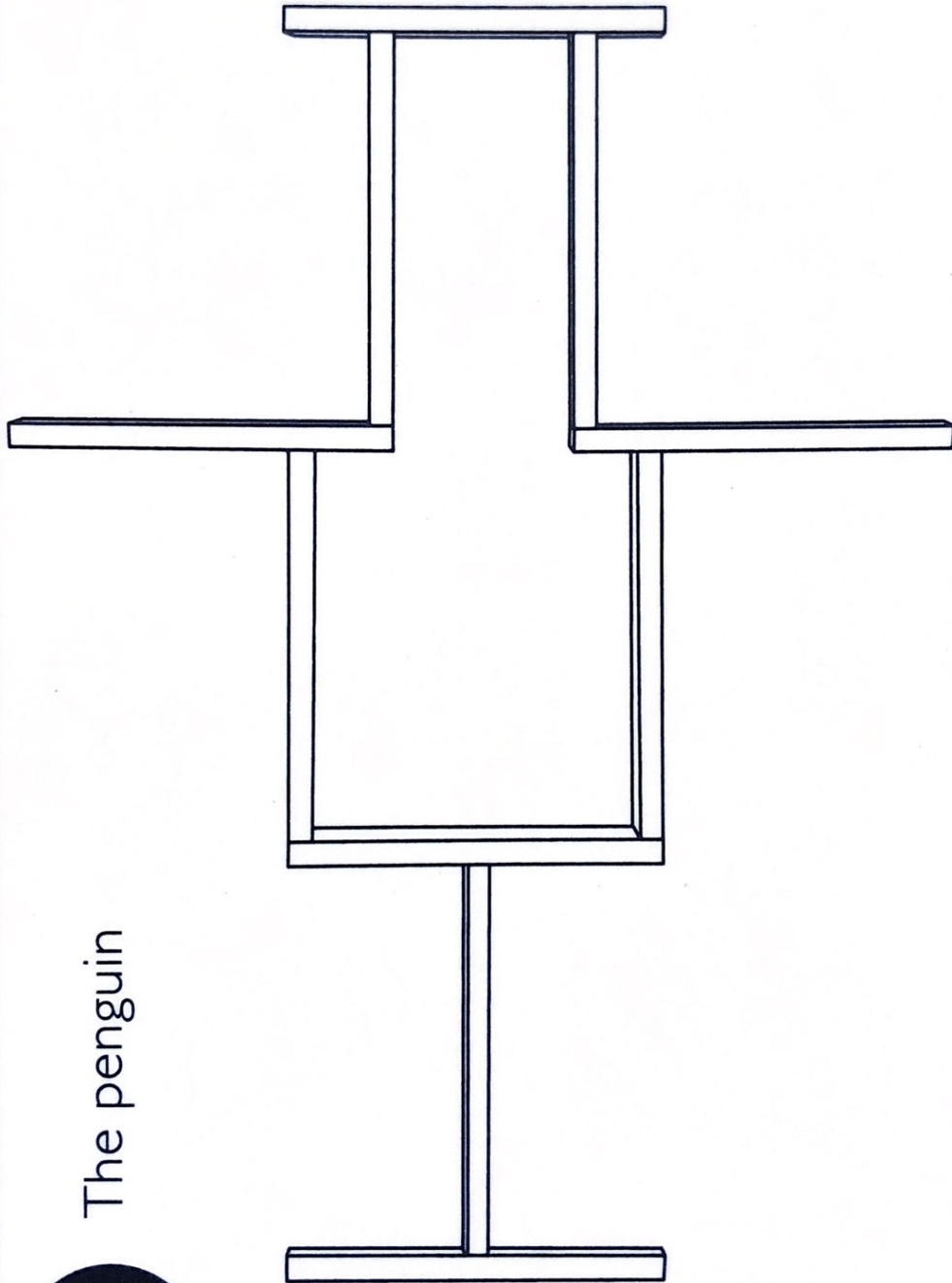


The antenna



 x11

10/12



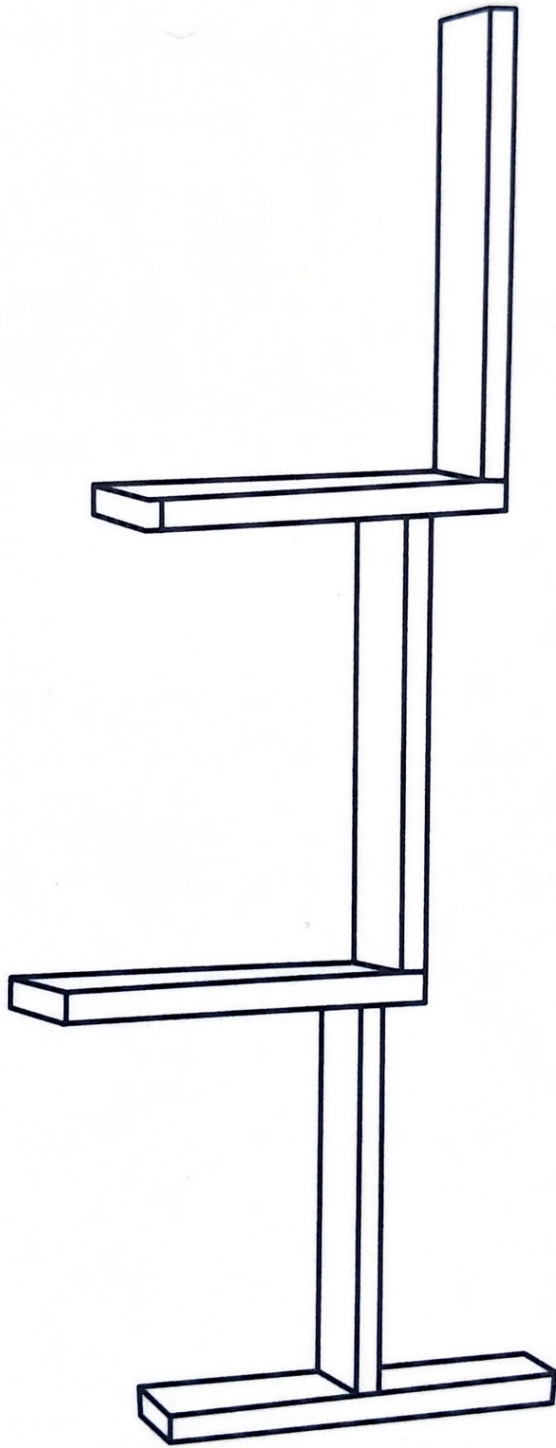
The penguin

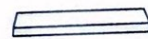


 x 10

11/12

The double chair



 x6

12/12

The dromedary

