

Rules for Circuits - RECAP

Series current

Stays the same

Series voltage

Splits

Parallel current

Splits

Parallel voltage

**Stays the same
(as the supply)**

Copy

Circuit Puzzles

Circuit 3: $V_2 =$

Circuit 4: $V_3 =$

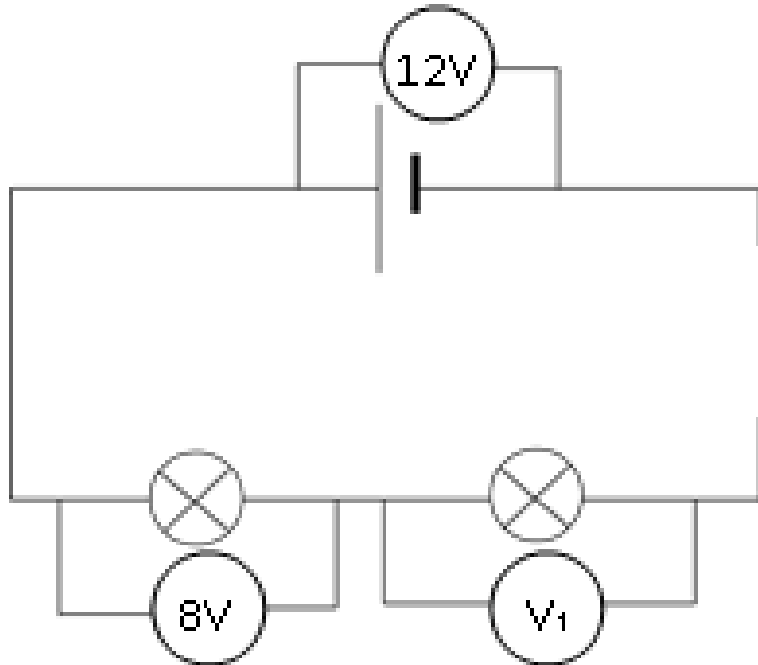
Circuit 5: $A_2 =$, $A_3 =$

Circuit 6: $A_4 =$, $A_5 =$, $A_6 =$, $A_7 =$.

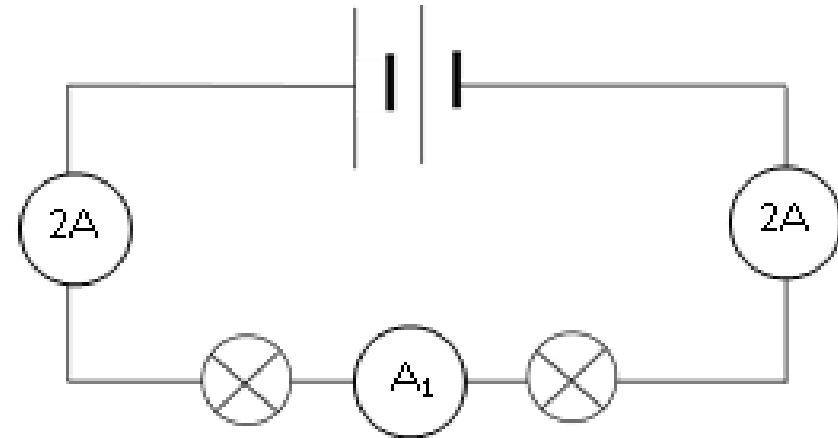
Circuit Puzzles

Use your circuit rules to work out what each missing meter reading should be in the following circuits:

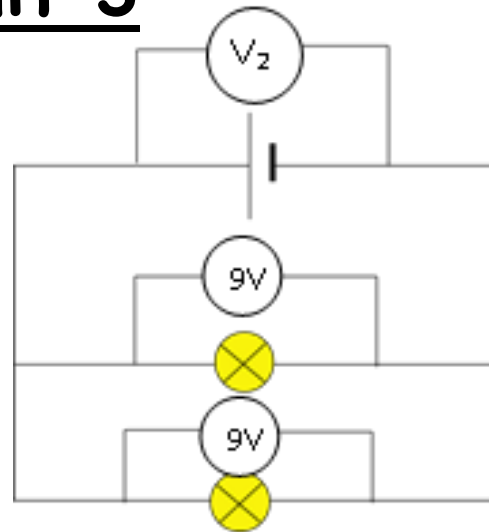
Circuit 1



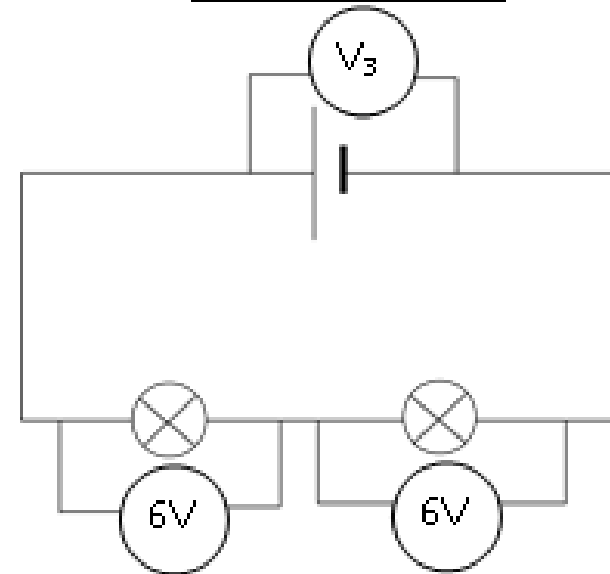
Circuit 2



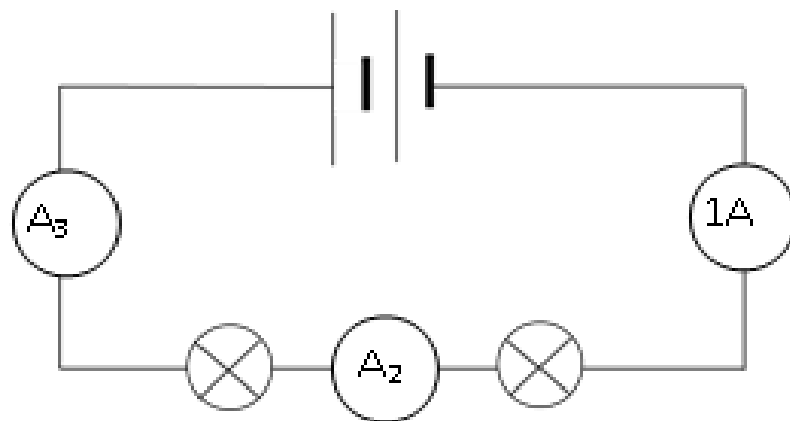
Circuit 3



Circuit 4



Circuit 5



Circuit 6

