



Greenfaulds High School

Technical Department



Graphic Communication

Basic Orthographic Drawing

Suggested A3 Page Layout



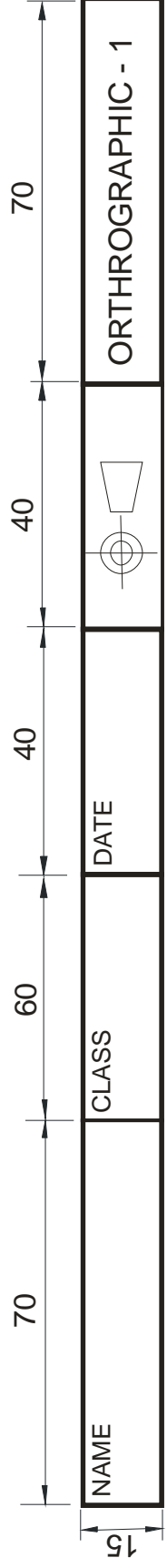
PLAN



FRONT ELEVATION

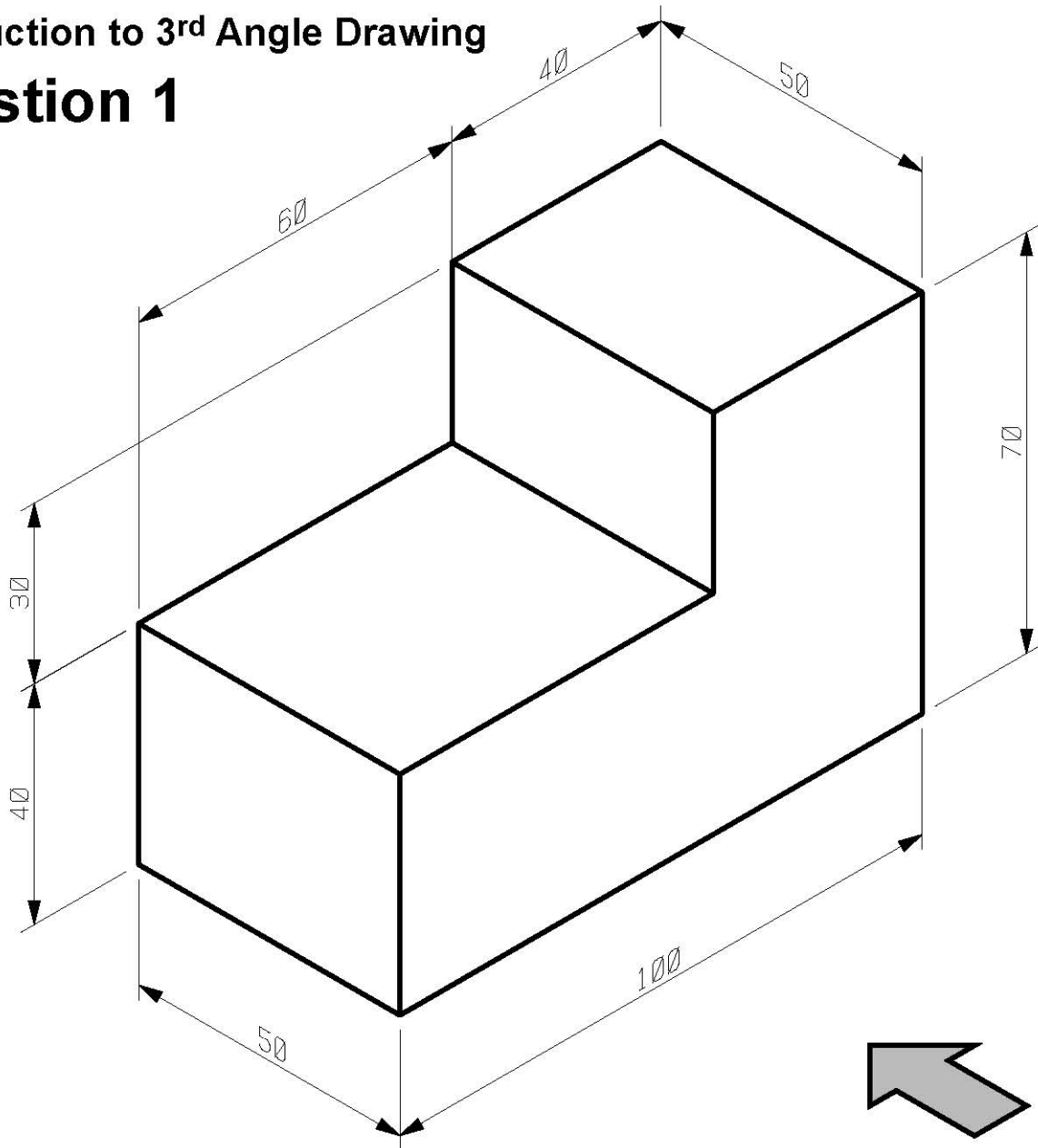


END ELEVATION



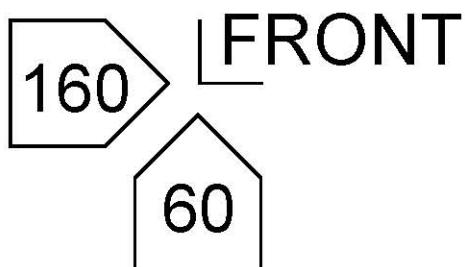
Introduction to 3rd Angle Drawing

Question 1



In the positions shown, draw the following views of the shaped block:

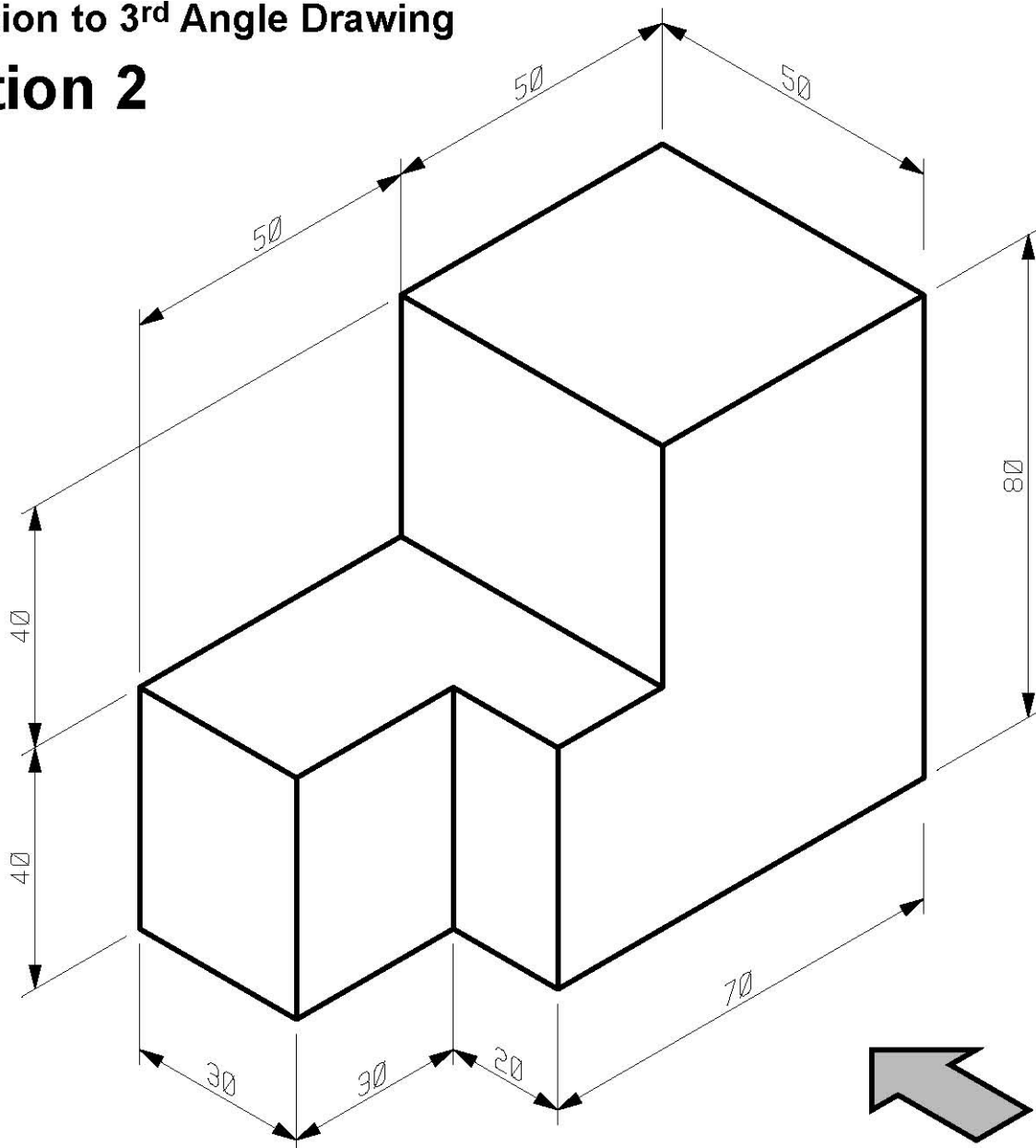
- Front Elevation looking in the direction of the arrow.
- End Elevation looking from the Left.
- End Elevation looking from the Right.
- Plan looking down from the Top.



A3
Paper

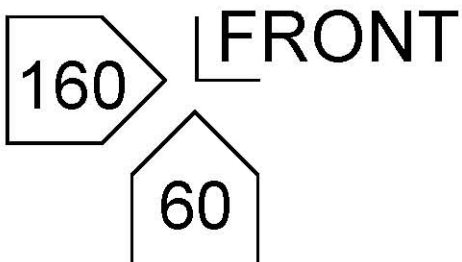
Introduction to 3rd Angle Drawing

Question 2



In the positions shown, draw the following views of the shaped block:

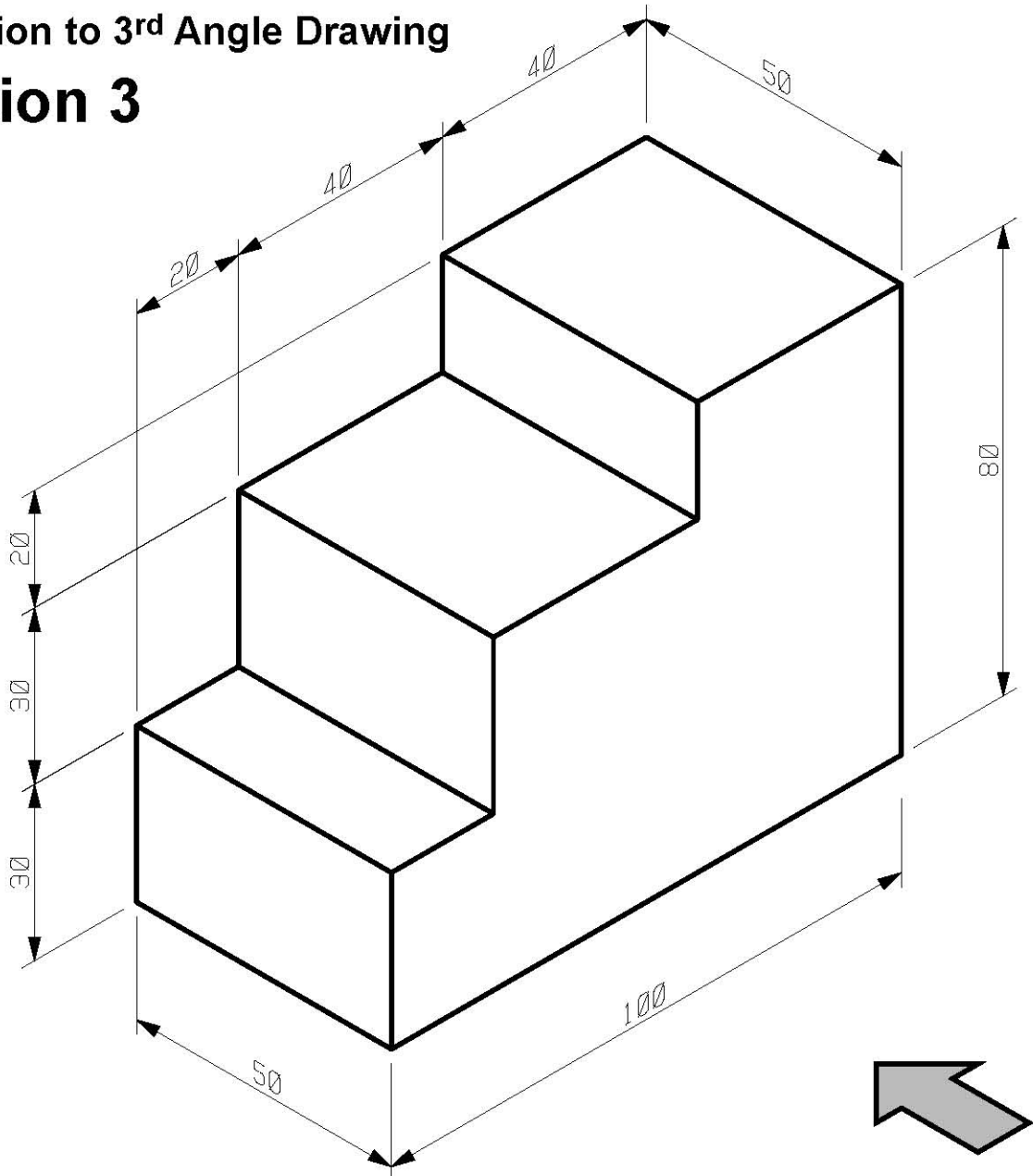
- a) Front Elevation looking in the direction of the arrow.
- b) End Elevation looking from the Left.
- c) End Elevation looking from the Right
- d) Plan looking down from the Top.



A3
Paper

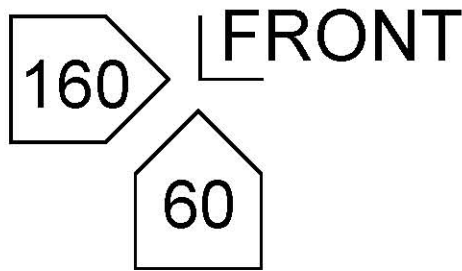
Introduction to 3rd Angle Drawing

Question 3



In the positions shown, draw the following views of the set of steps:

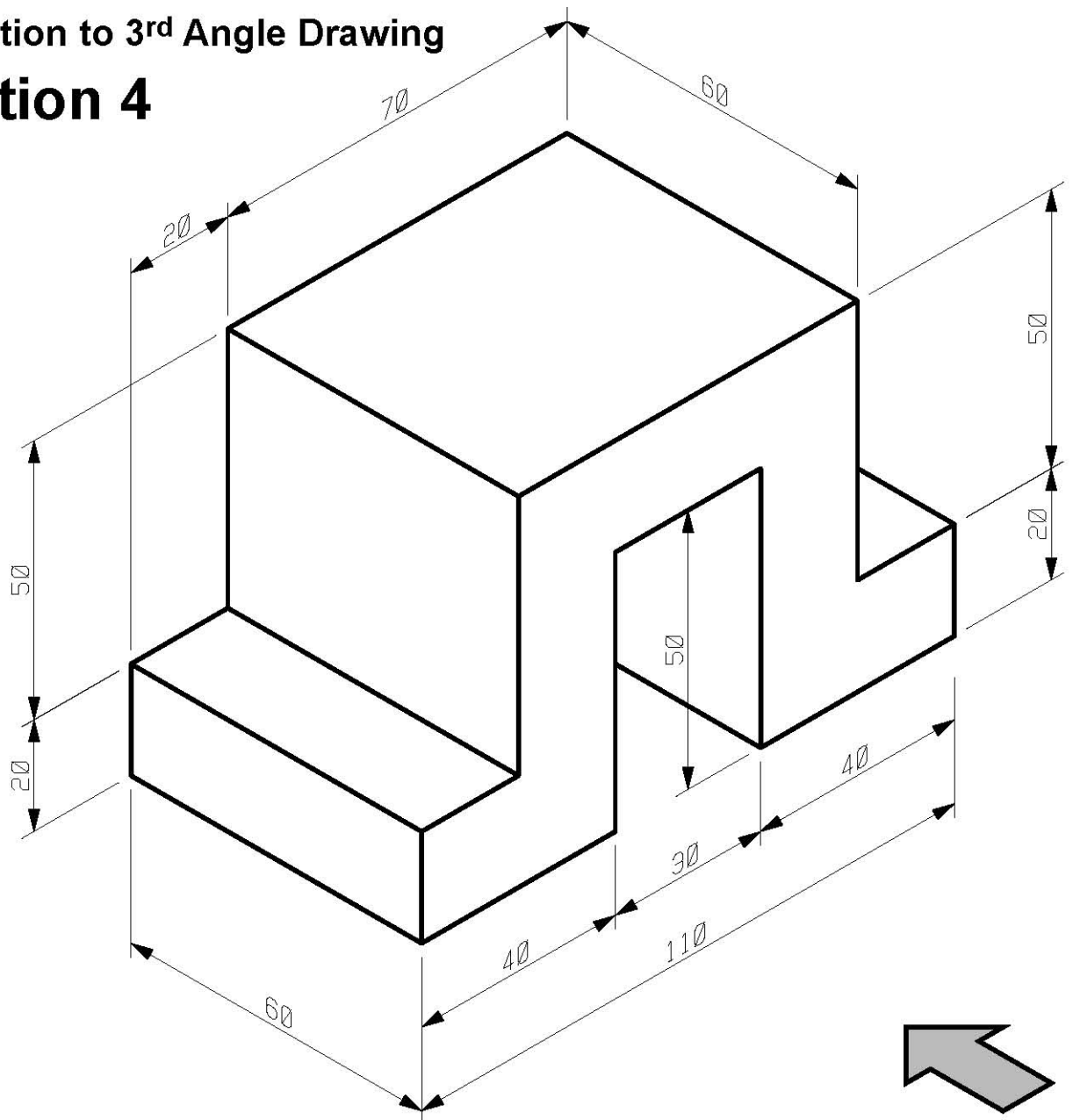
- a) Front Elevation looking in the direction of the arrow.
- b) End Elevation looking from the Left.
- c) End Elevation looking from the Right.
- d) Plan looking down from the Top.



A3 Paper

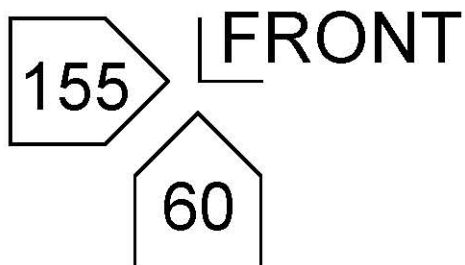
Introduction to 3rd Angle Drawing

Question 4



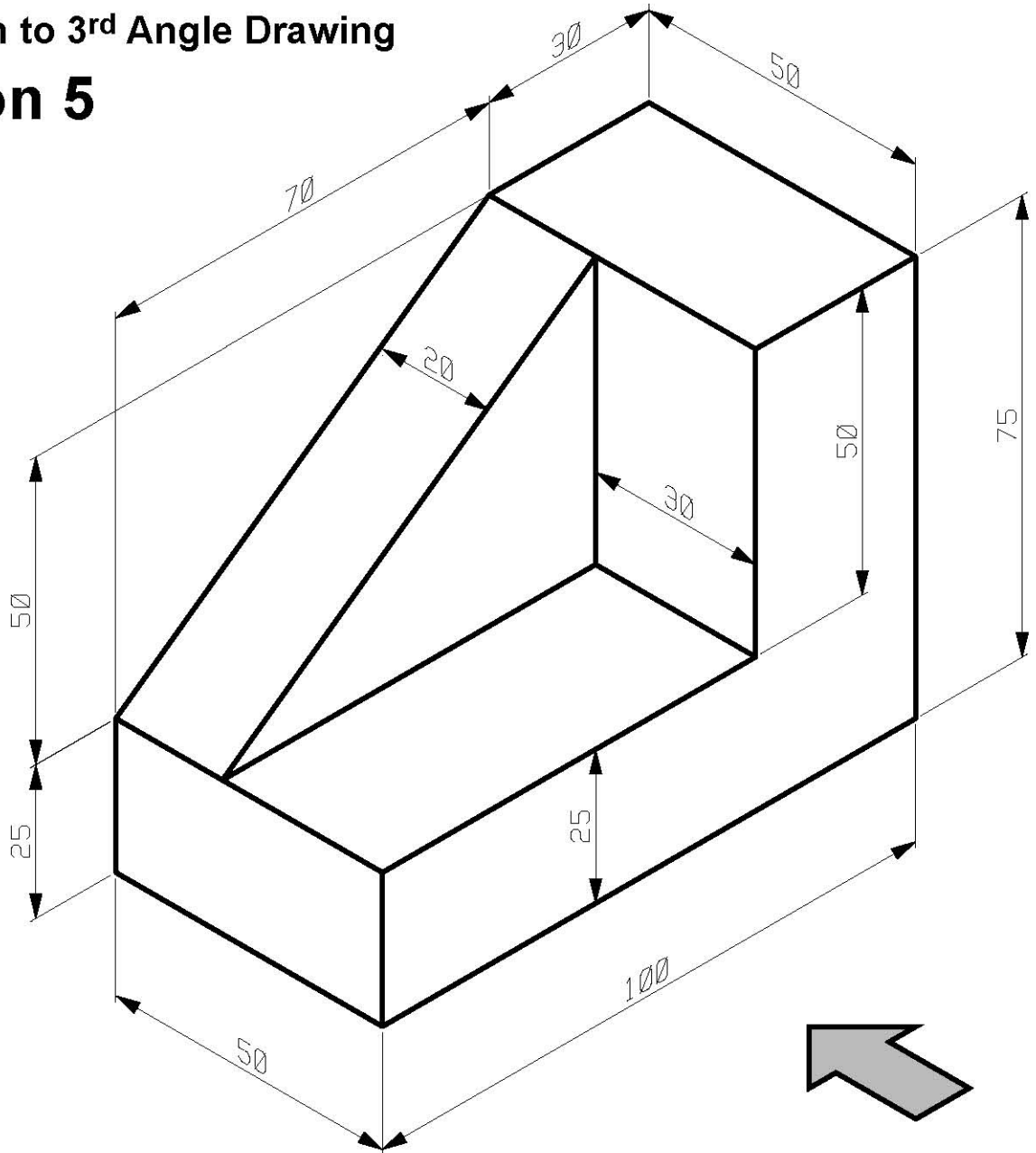
In the positions shown, draw the following views of the clamp:

- a) Front Elevation looking in the direction of the arrow.
- b) End Elevation looking from the Right.
- c) End Elevation looking from the Left.
- d) Plan looking down from the Top.



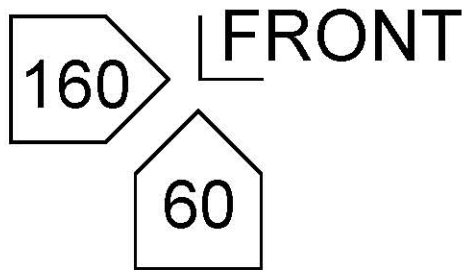
A3
Paper

Question 5



In the positions shown, draw the following views of the shaped block:

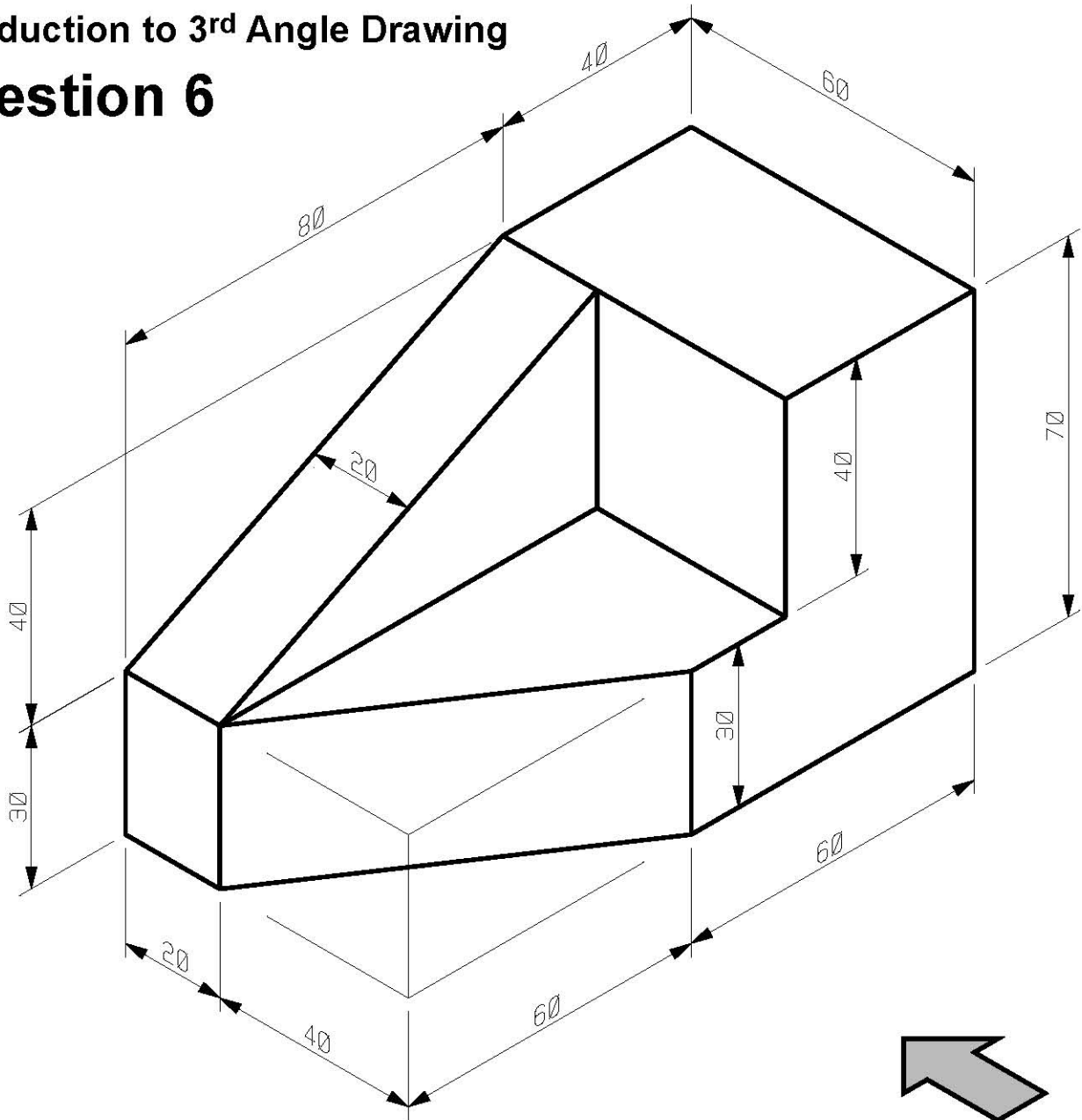
- a) Front Elevation looking in the direction of the arrow.
- b) End Elevation looking from the Left.
- c) End Elevation looking from the Right.
- d) Plan looking down from the Top.



A3 Paper

Introduction to 3rd Angle Drawing

Question 6



In the positions shown, draw the following views of the door stop:

- a) Front Elevation looking in the direction of the arrow.
- b) End Elevation looking from the Left.
- c) End Elevation looking from the Right.
- d) Plan looking down from the Top.

50

between views

150

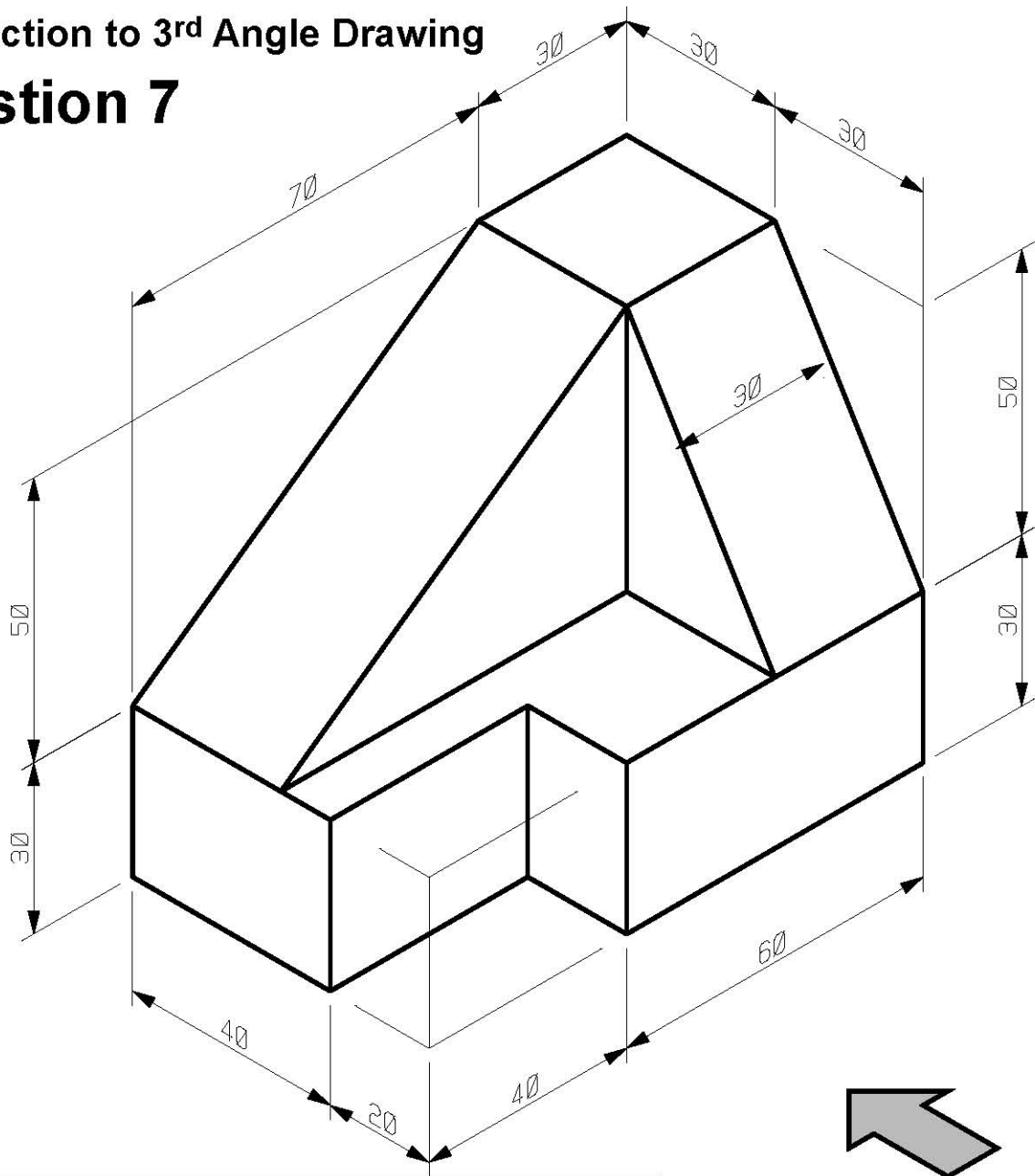
FRONT

60

A3
Paper

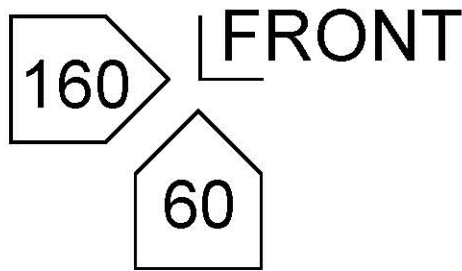
Introduction to 3rd Angle Drawing

Question 7



In the positions shown, draw the following views of the shaped block:

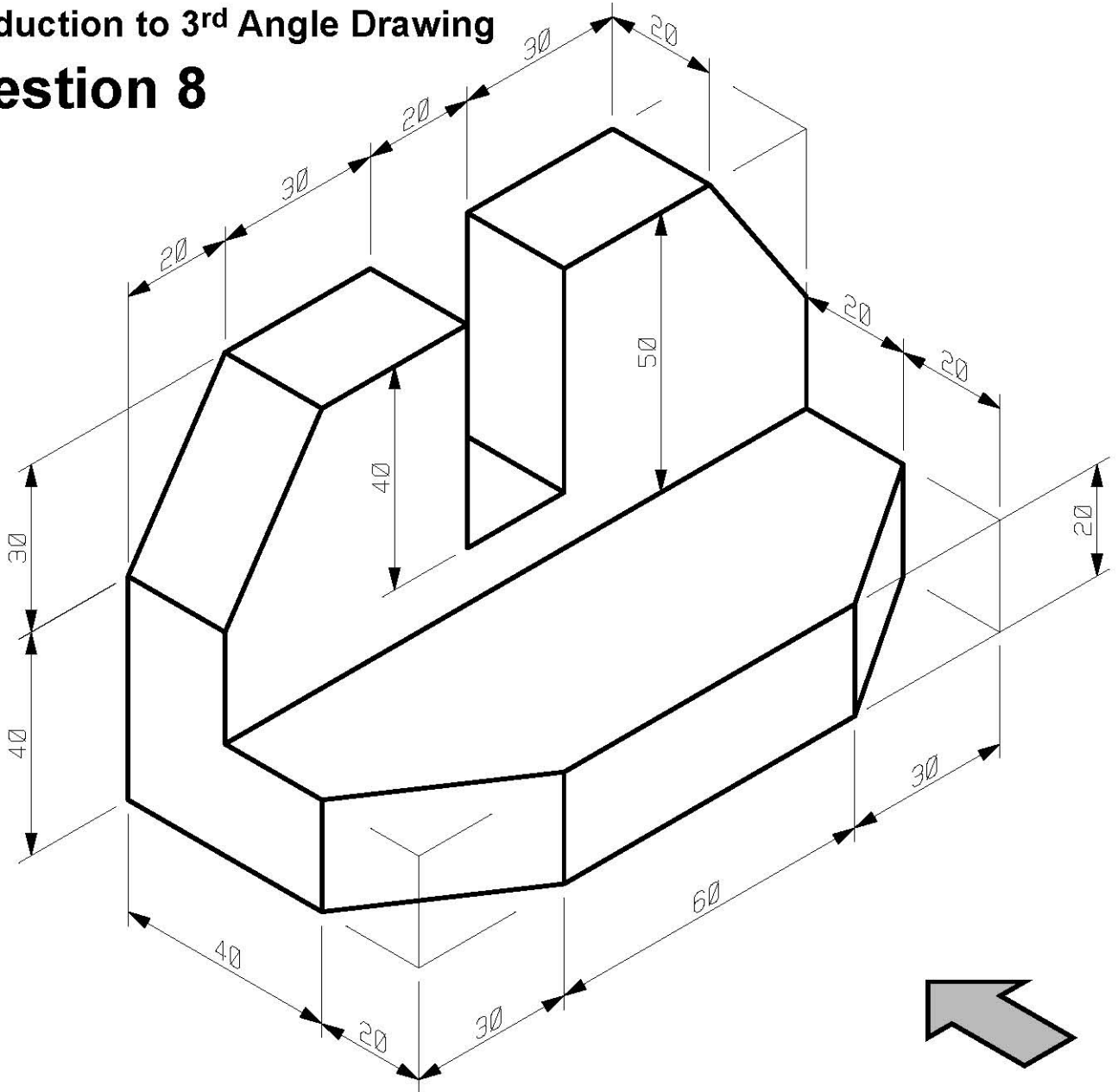
- Front Elevation looking in the direction of the arrow.
- End Elevation looking from the Left.
- End Elevation looking from the Right.
- Plan looking down from the Top.



A3
Paper

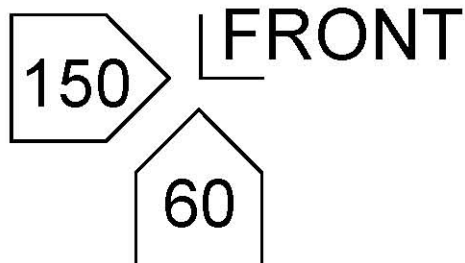
Introduction to 3rd Angle Drawing

Question 8



In the positions shown, draw the following views of the trophy holder:

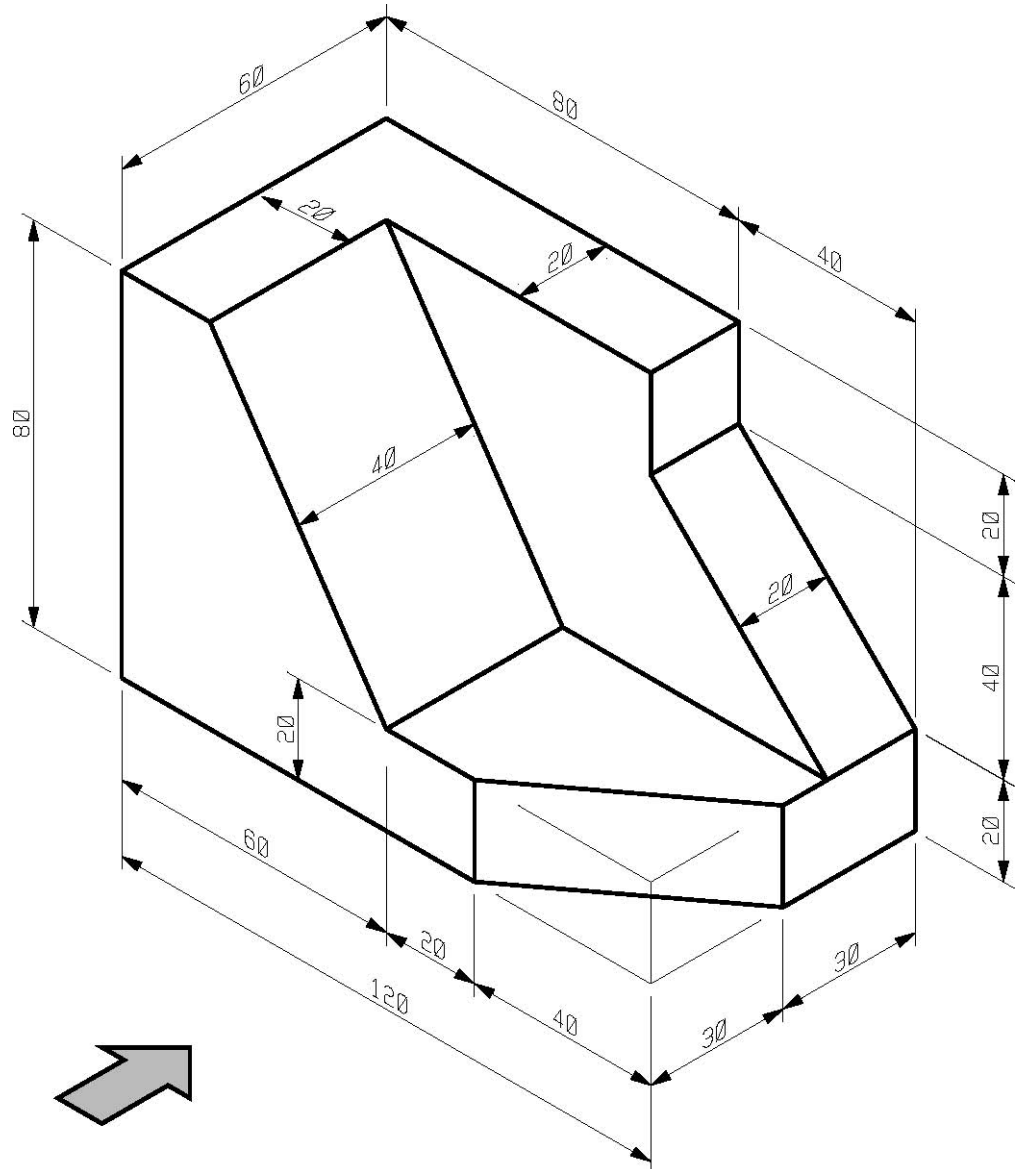
- a) Front Elevation looking in the direction of the arrow.
- b) End Elevation looking from the Left.
- c) End Elevation looking from the Right.
- d) Plan looking down from the Top.



**A3
Paper**

Introduction to 3rd Angle Drawing

Question 9



In the positions shown, draw the following views of a model building:

- Front Elevation looking in the direction of the arrow.
- End Elevation looking from the Right.
- End Elevation looking from the Left.
- Plan looking down from the Top.

50

between views

150

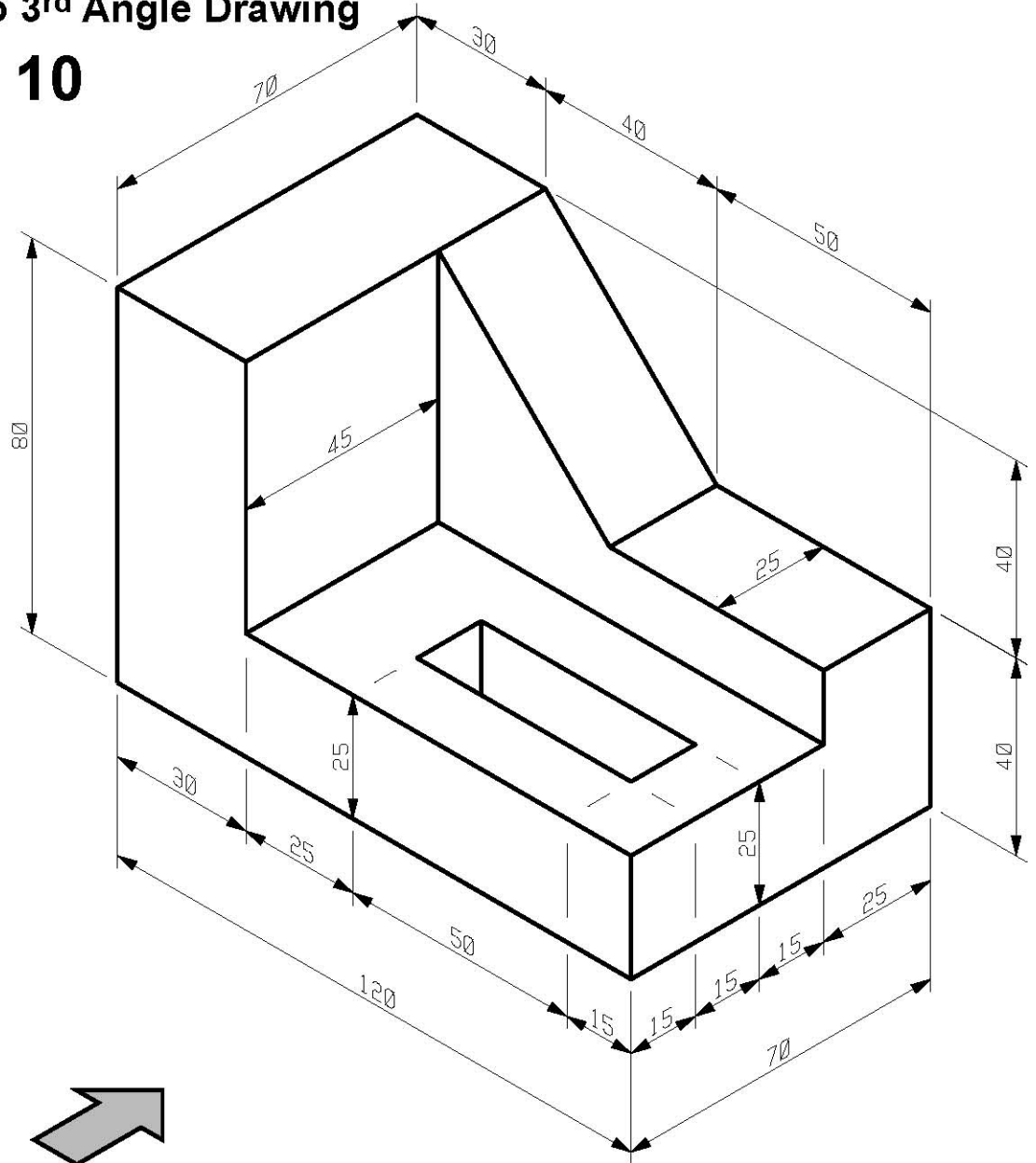
FRONT

60

A3 Paper

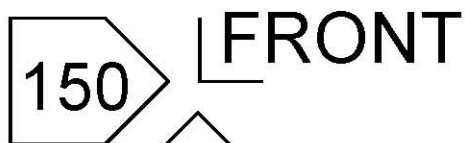
Introduction to 3rd Angle Drawing

Question 10

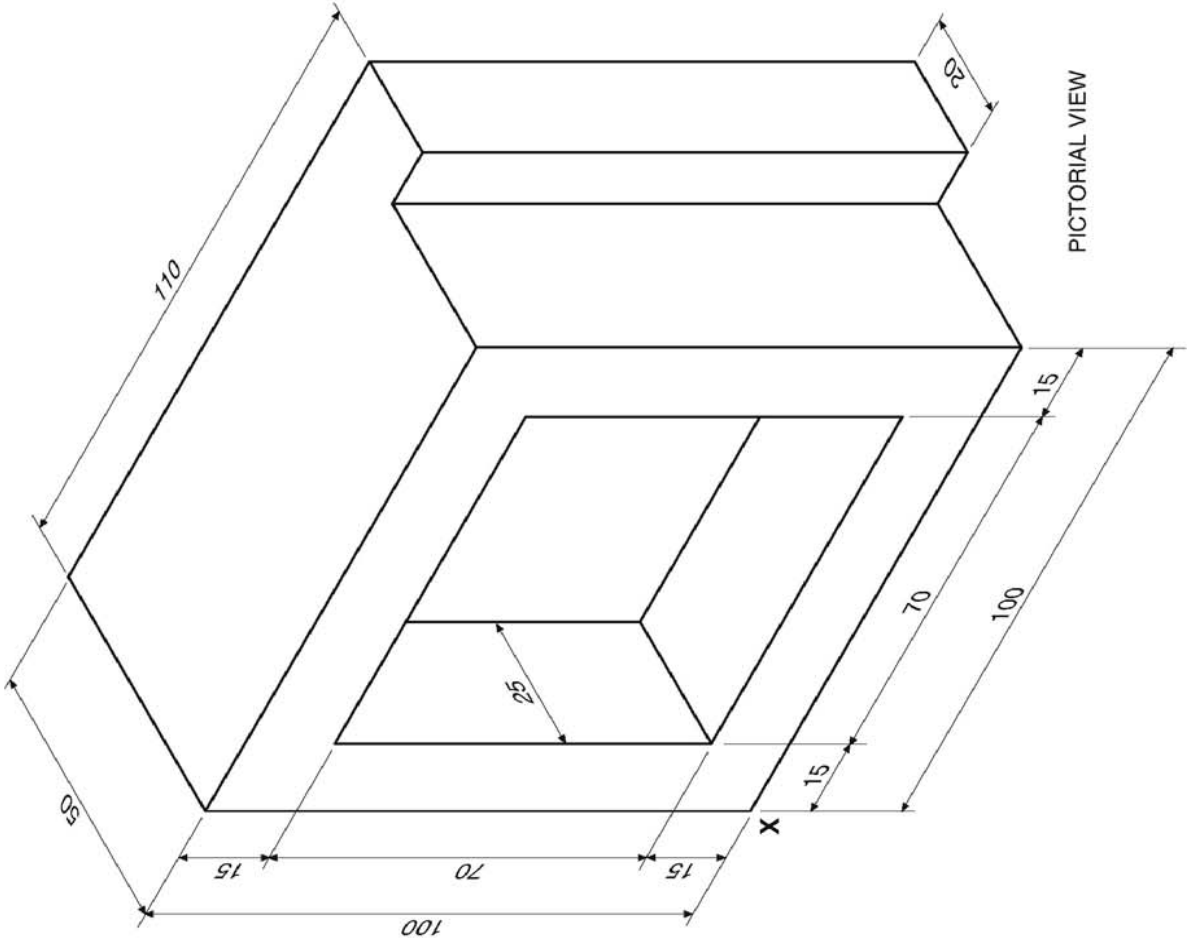


In the positions shown, draw the following views of a foot casting from a drill clamp:

- Front Elevation looking in the direction of the arrow.
- End Elevation looking from the Right.
- End Elevation looking from the Left.
- Plan looking down from the Top.



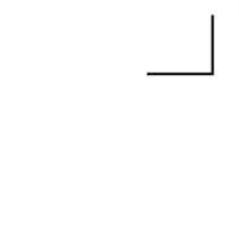
A3
Paper



PICTORIAL VIEW



ELEVATION

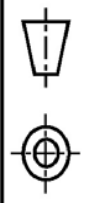


END ELEVATION

Name:

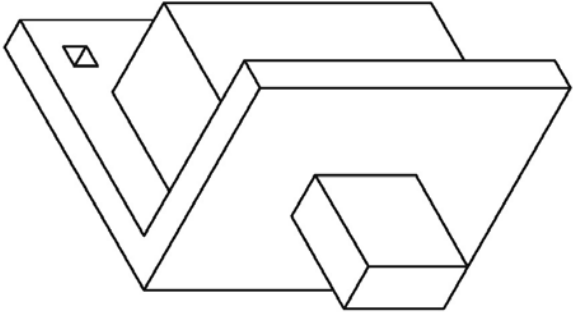
Class:

Date:

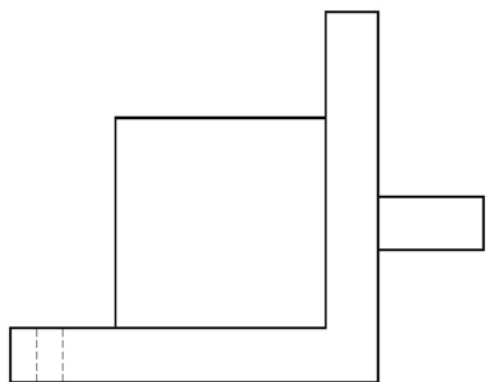


Question No.:

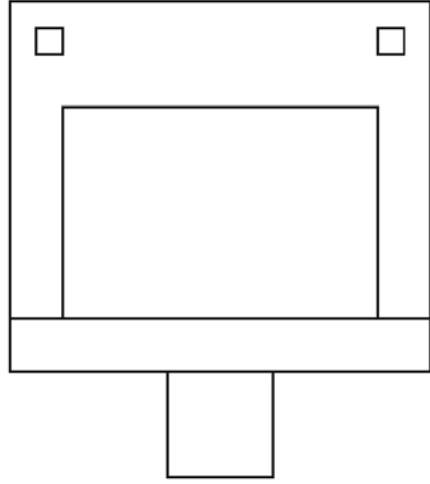
Introduction to Orthographics



PICTORIAL VIEW
(NOT TO SCALE)



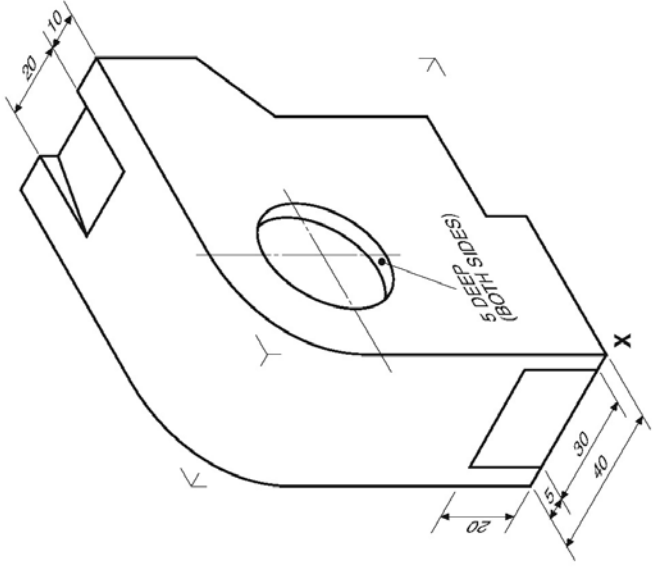
PLAN



END ELEVATION

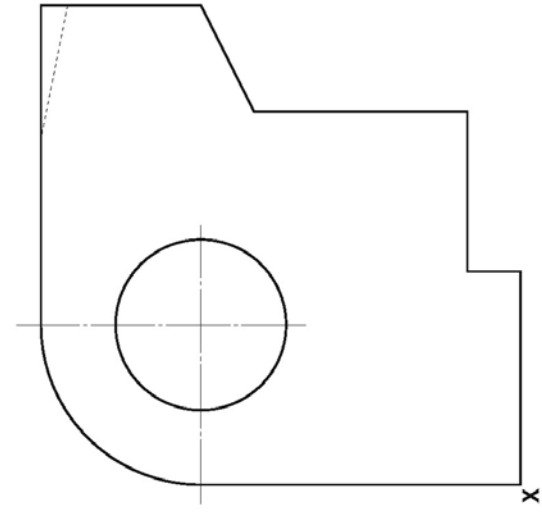
ELEVATION

Name:	Date:	Class:	Question No:
Introduction to Orthographics			



NOT TO SCALE

PLAN



ELEVATION



END ELEVATION

Name:

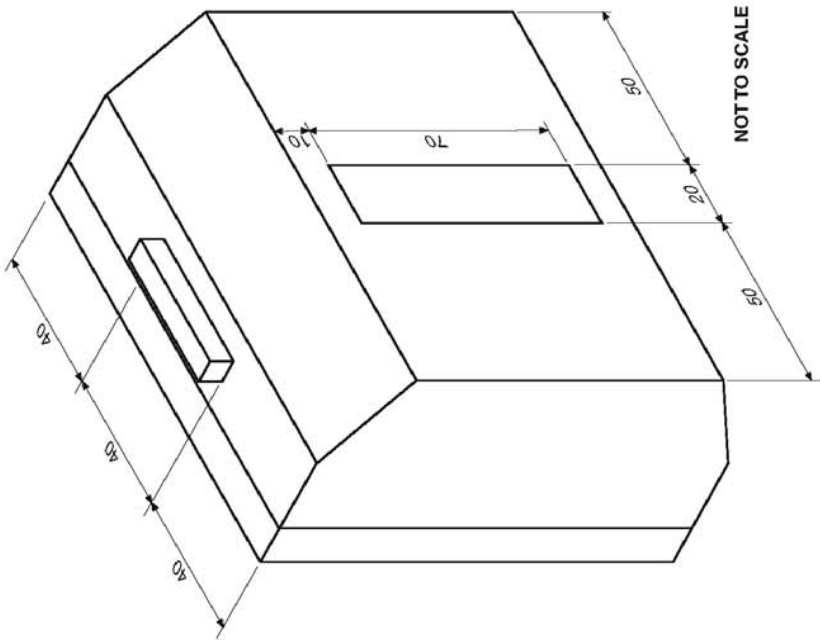
Class:

Date:



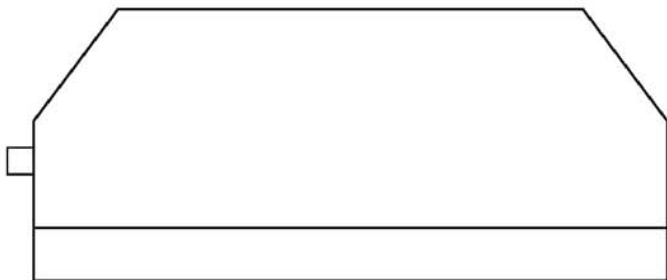
Question No:

Introduction to Orthographics



NOTTO SCALE

PLAN



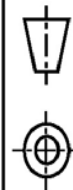
END ELEVATION

ELEVATION

Name:

Class:

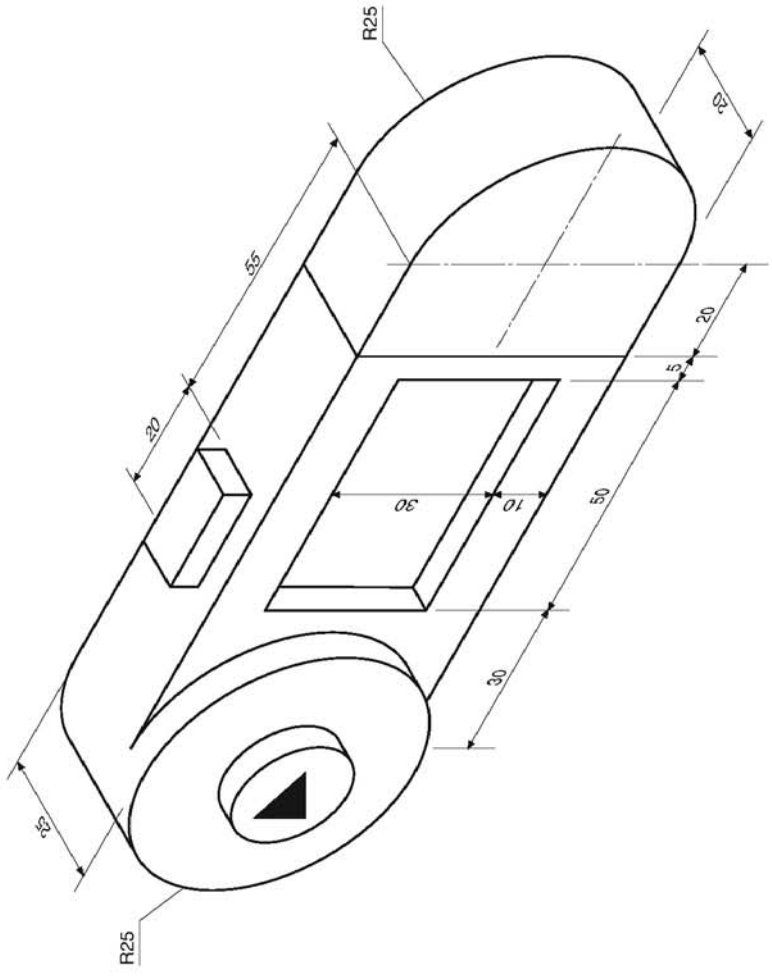
Date:



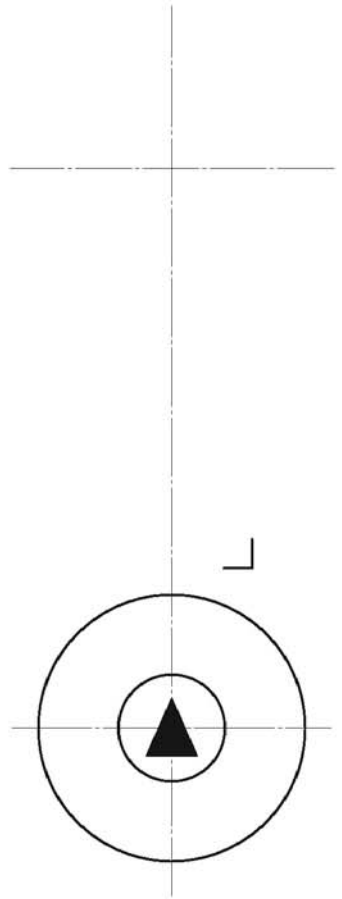
Question No.:

Introduction to Orthographics

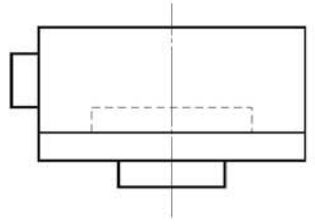
Name:	Class:
-------	--------



PLAN



ELEVATION



END ELEVATION