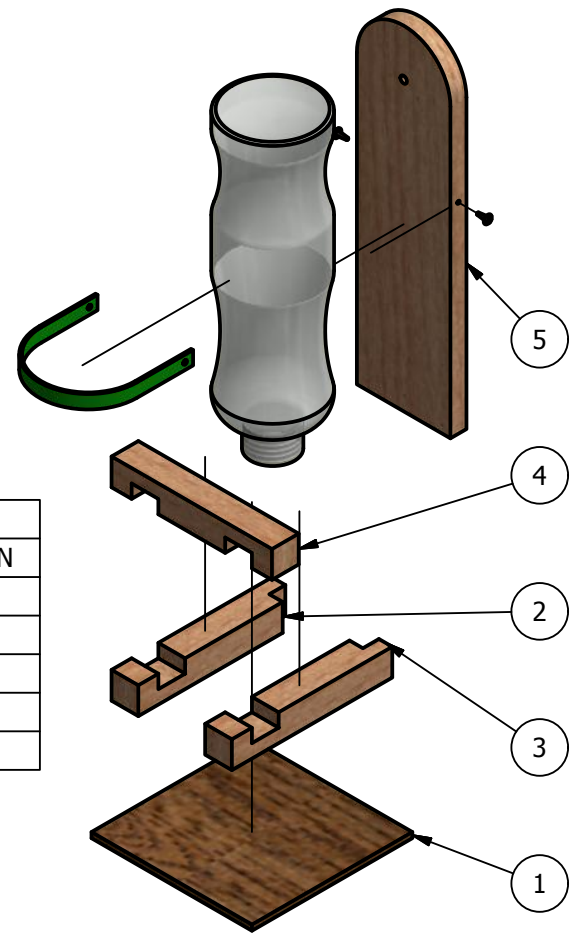
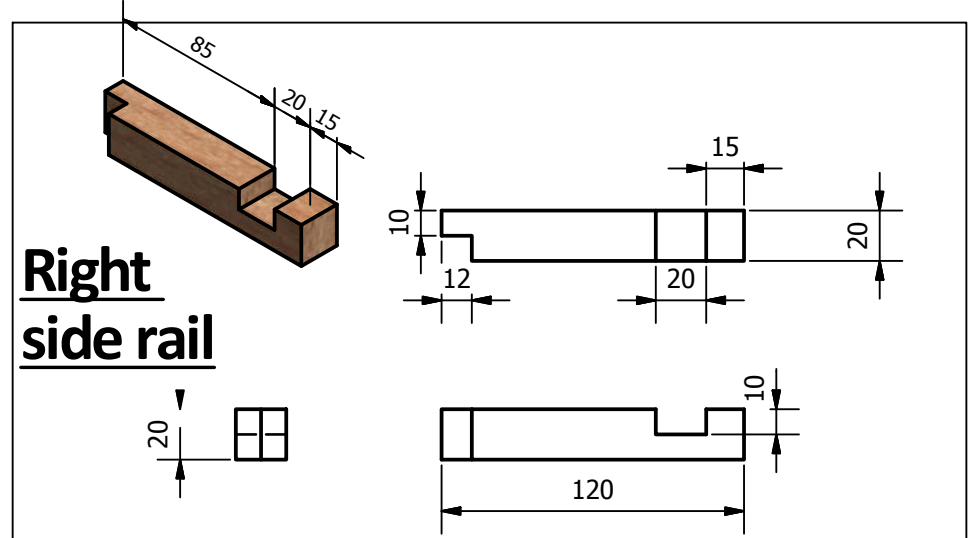
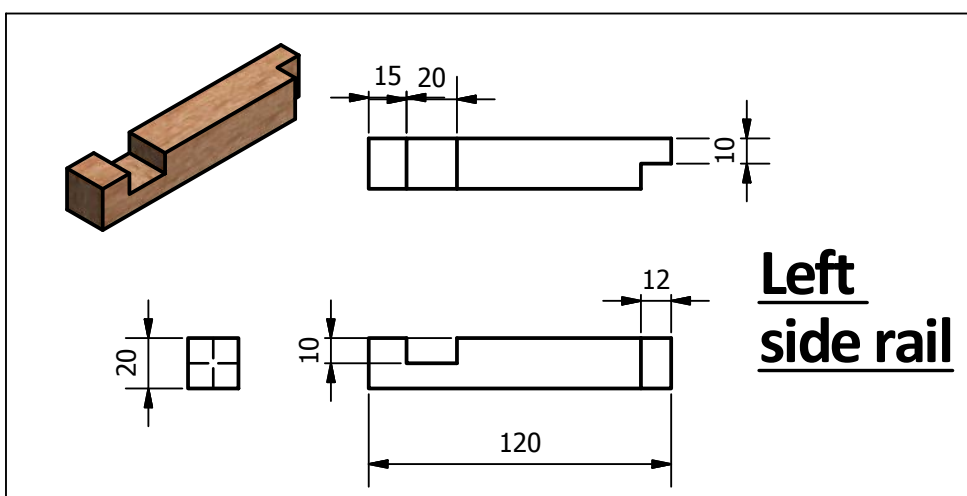
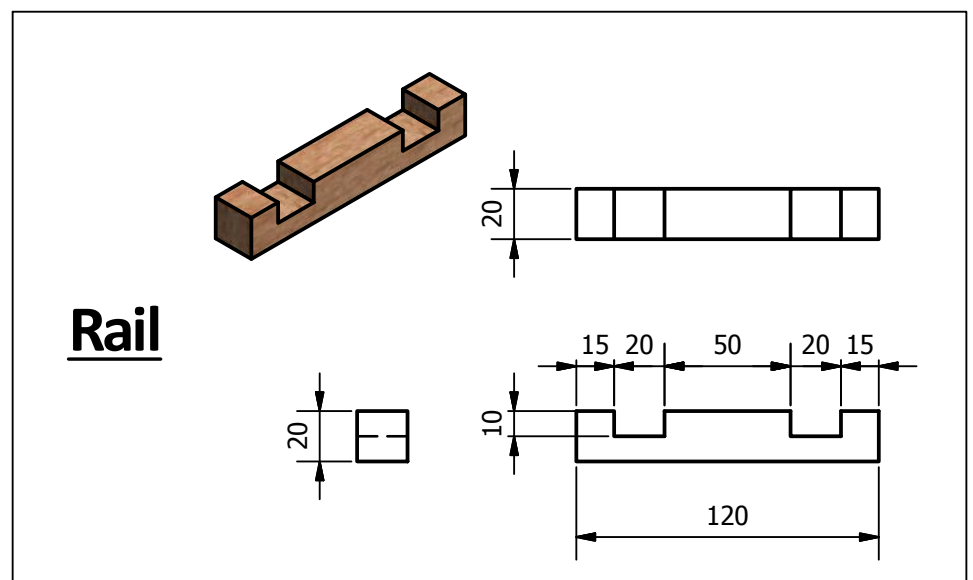
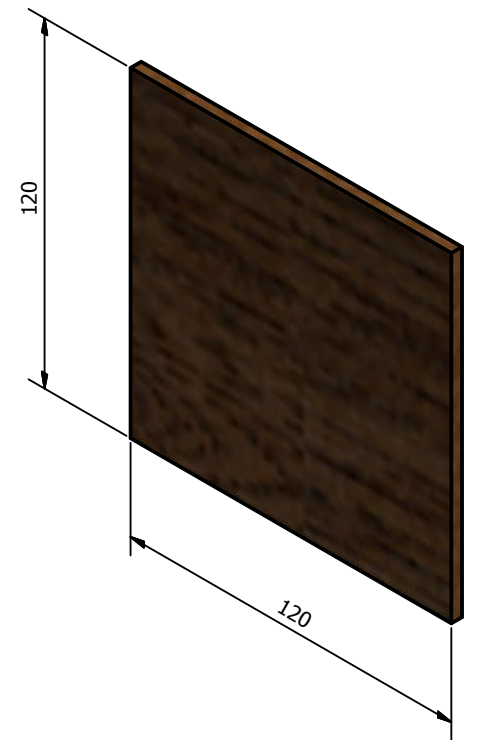
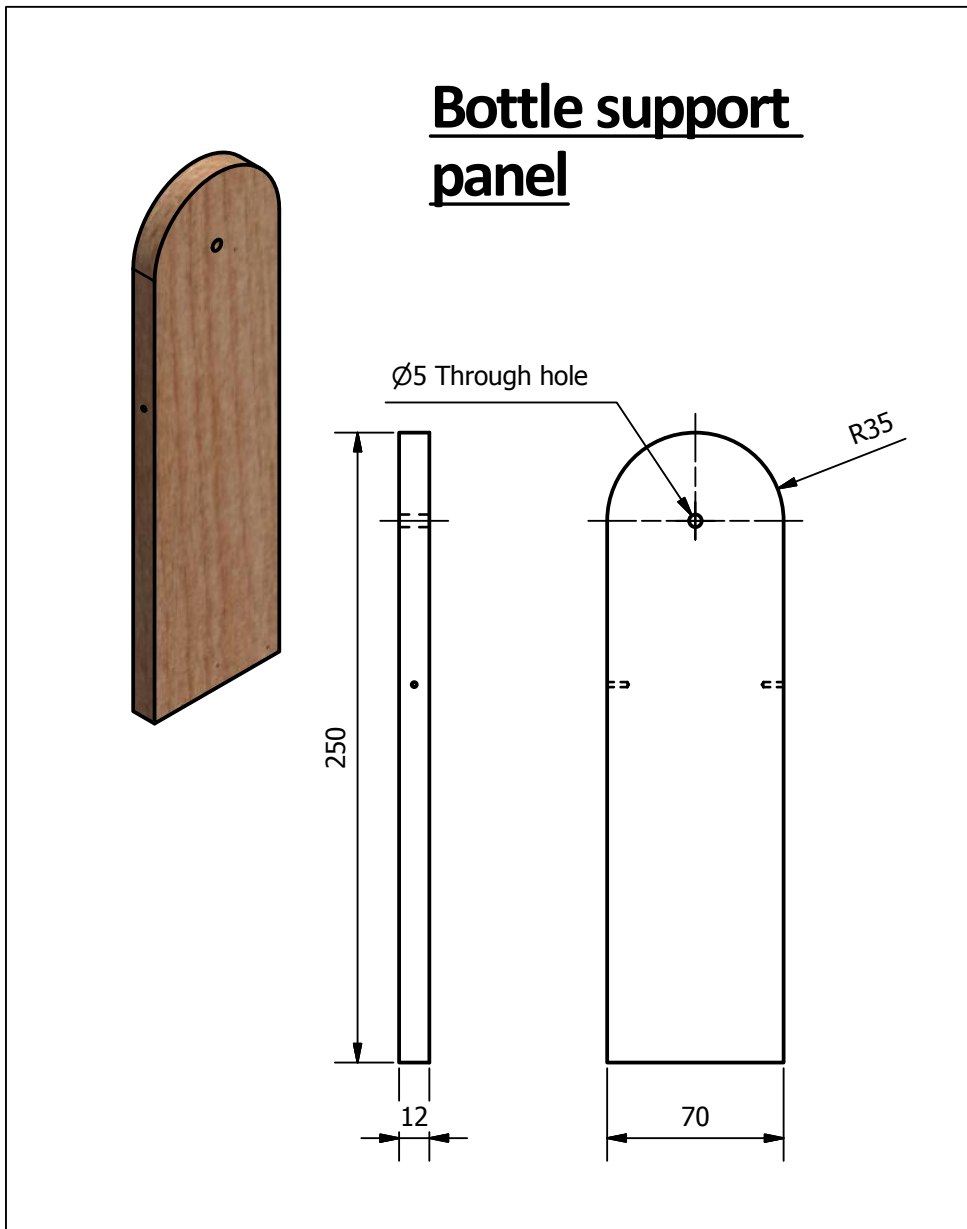


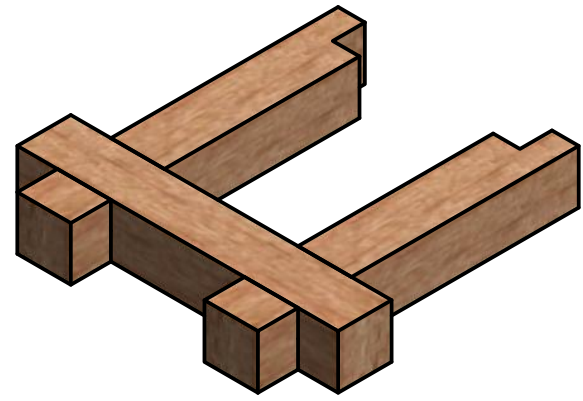
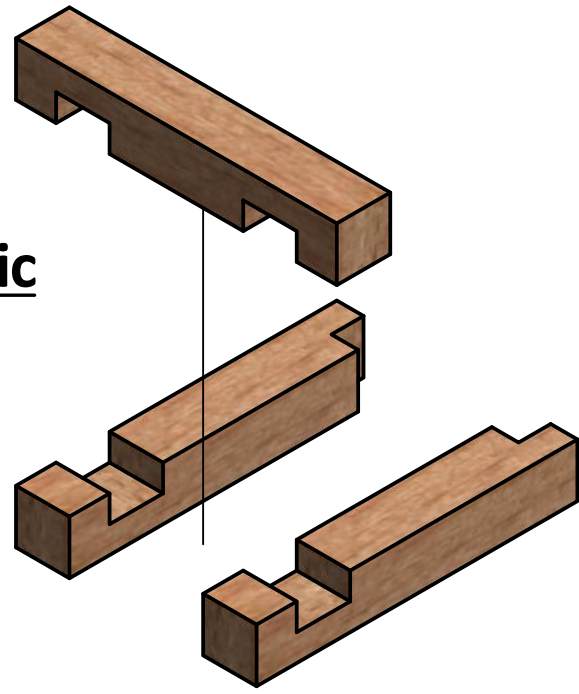
BGE Woodwork (S2) Birdfeeder



PARTS LIST		
ITEM	QTY	DESCRIPTION
1	1	Base
2	1	Left side rail
3	1	Right side rail
4	1	Front rail
5	1	Back support



Exploded isometric
-Frame



Assembly of frame

Marking out option

