

PLAN

Orthographic Views — 1

— Garden Shed

Draw, in the suggested positions, the following views of the garden shed:

- Front Elevation looking from the direction shown by the arrow.
- End Elevation looking from the right.
- Plan.



FRONT ELEVATION



END ELEVATION

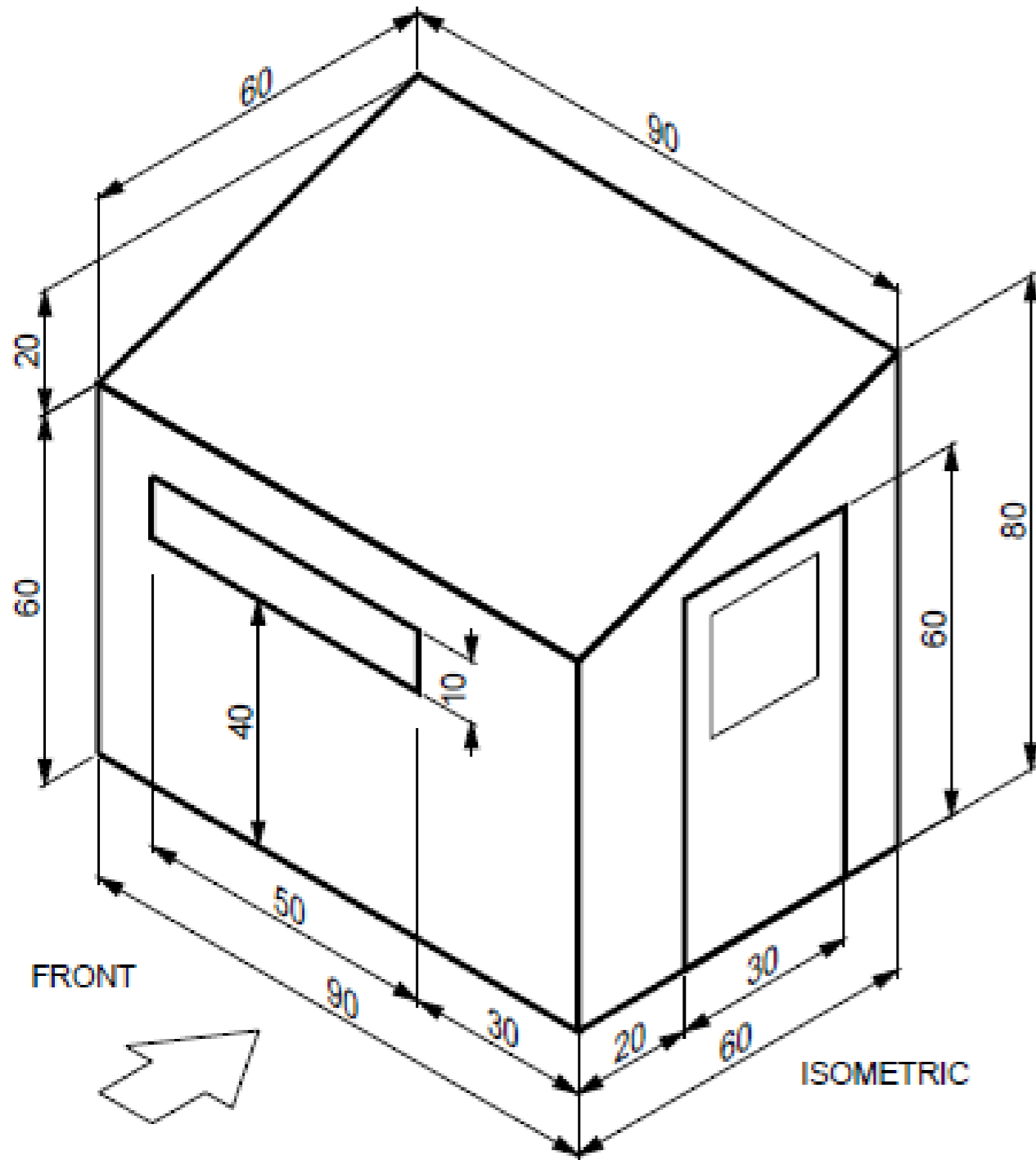
Name:	Class:	Date:		Question No: Orthographic Views — 1
-------	--------	-------	--	---

Orthographic Views — 2

— Lean-to Shed

Draw, in the suggested positions, the following views of the shed:

- Front Elevation looking from the direction shown by the arrow.
- End Elevation looking from the right.
- Plan.



PLAN



FRONT ELEVATION

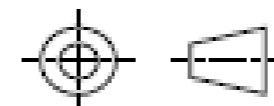


END ELEVATION

Name:

Class:

Date:



Question No:

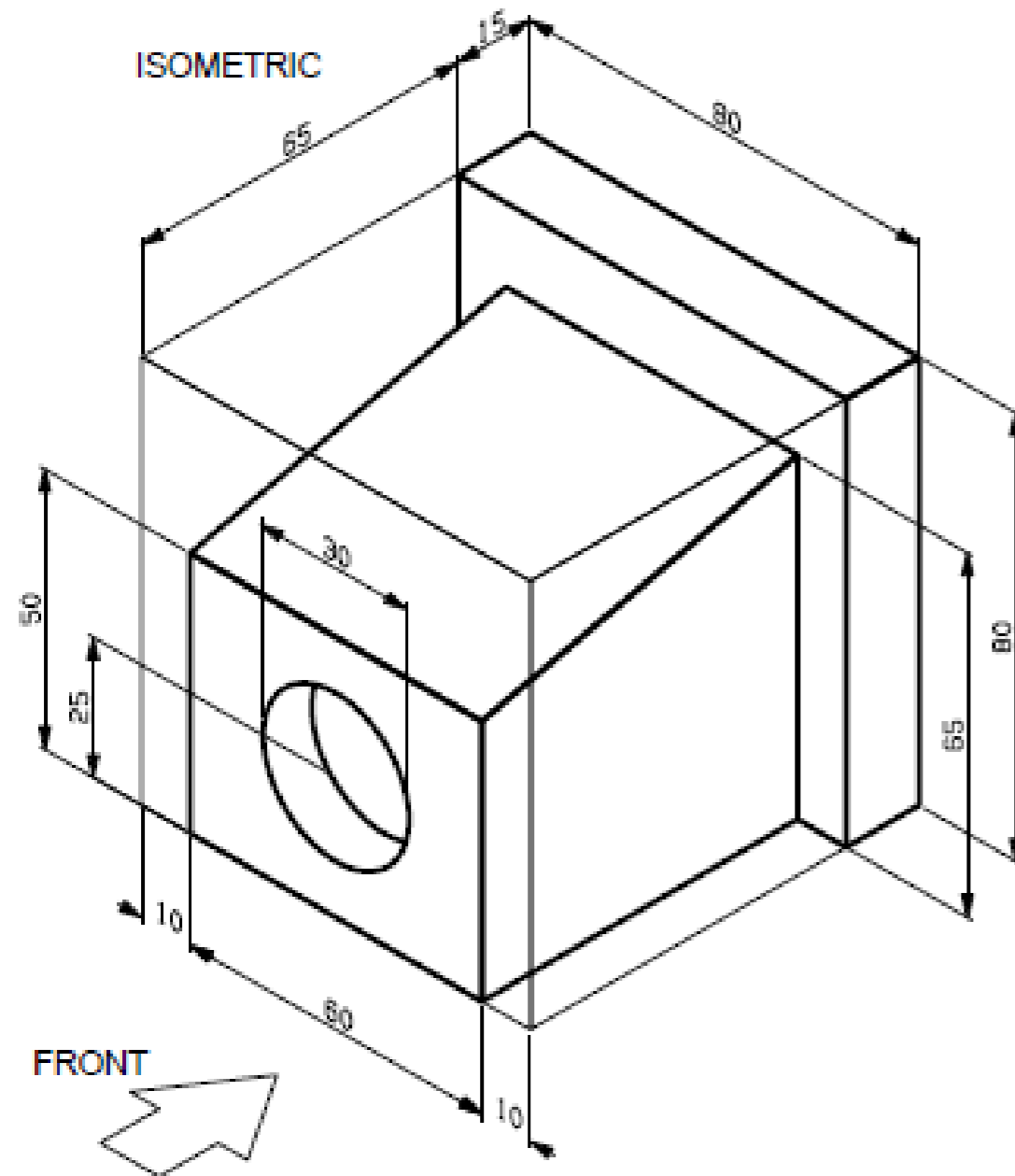
Orthographic Views — 2

Orthographic Views — 3

— Bird Nesting Box

Draw, in the suggested positions, the following views of the bird box:

- a) Front Elevation looking from the direction shown by the arrow.
- b) End Elevation looking from the right.
- c) Plan.



PLAN



FRONT ELEVATION



END ELEVATION

Name:	Class:	Date:		Question No: Orthographic Views — 3
-------	--------	-------	--	--

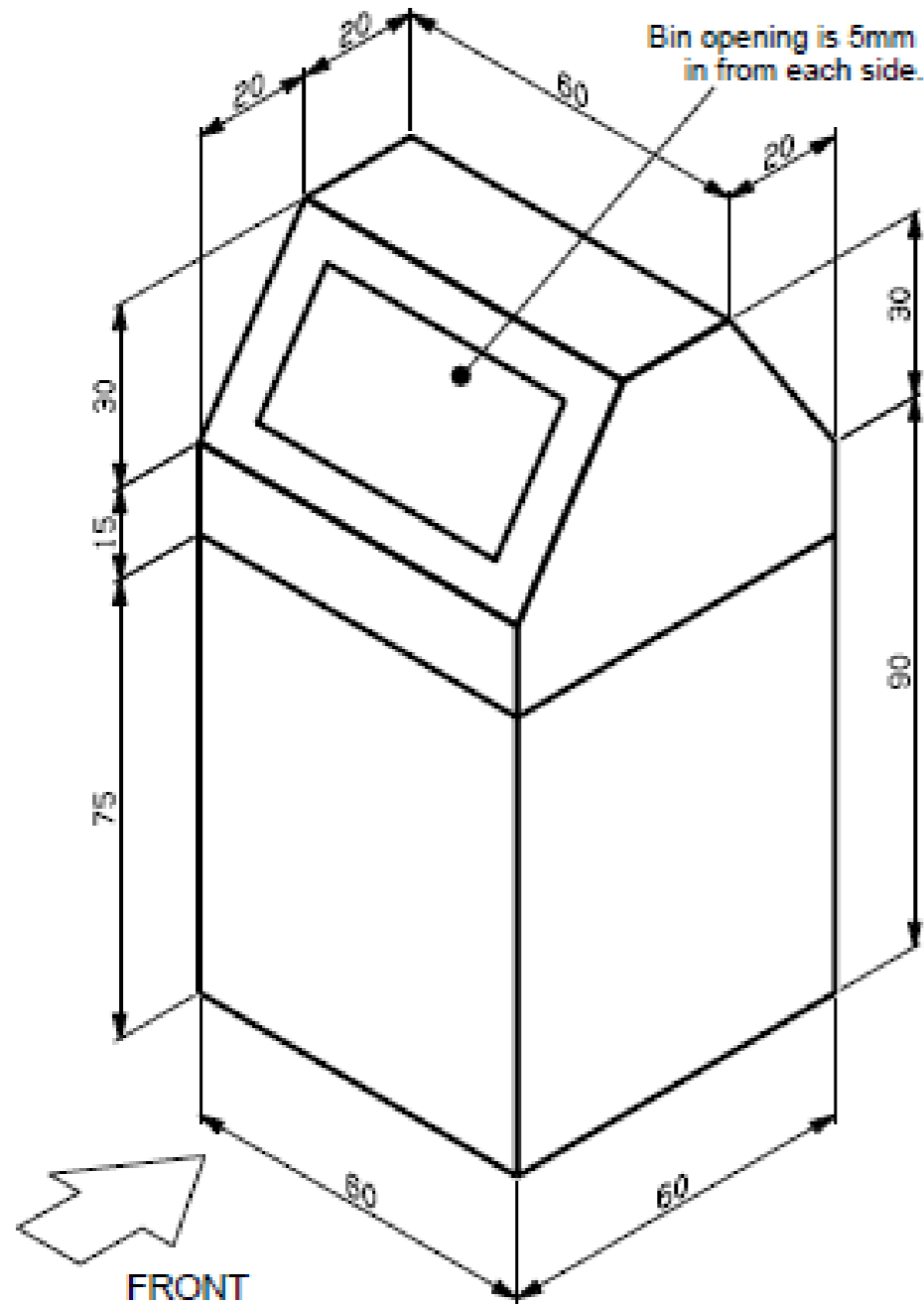
Orthographic Views — 4

— Kitchen Wastebin

Draw, in the suggested positions, the following views of the wastebin:

- a) Front Elevation looking from the direction shown by the arrow.
- b) End Elevation looking from the right.
- c) Plan.

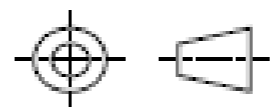
ISOMETRIC



PLAN

FRONT ELEVATION

END ELEVATION

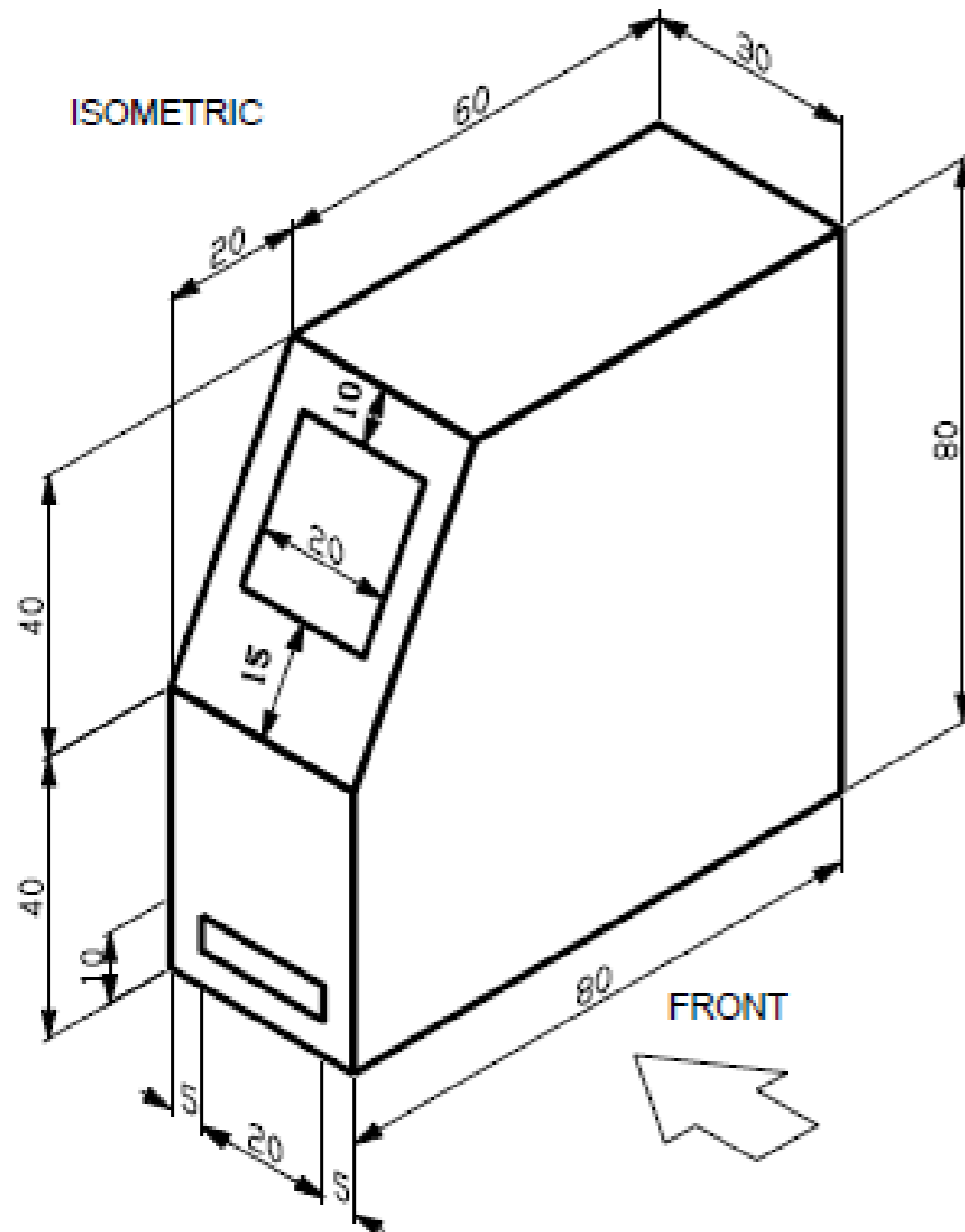
Name:	Class:	Date:		Question No:	Orthographic Views — 4
-------	--------	-------	---	--------------	------------------------

Orthographic Views — 5

— Measuring Tape

Draw, in the suggested positions, the following views of the measuring tape:

- Front Elevation looking from the direction shown by the arrow.
- End Elevation looking from the right.
- End Elevation looking from the left.
- Plan.



PLAN



END ELEVATION



FRONT ELEVATION

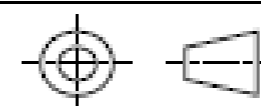


END ELEVATION

Name:

Class:

Date:



Question No:

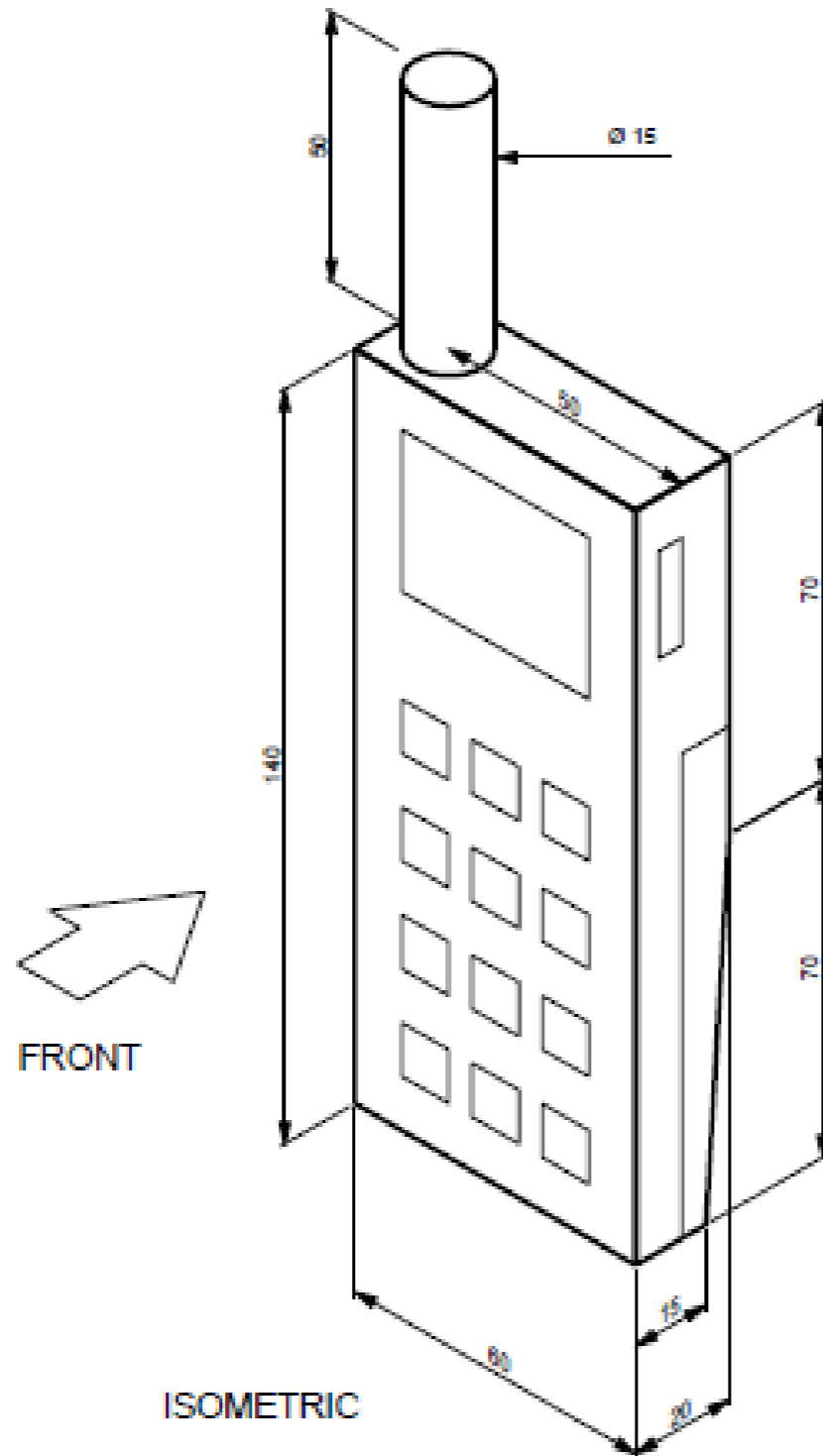
Orthographic Views — 5

Orthographic Views — 6

— Walkie Talkie

Draw, in the suggested positions, the following views of the mobile:

- a) Front Elevation looking from the direction shown by the arrow.
- b) End Elevation looking from the right.
- c) Plan.



PLAN



FRONT ELEVATION



END ELEVATION

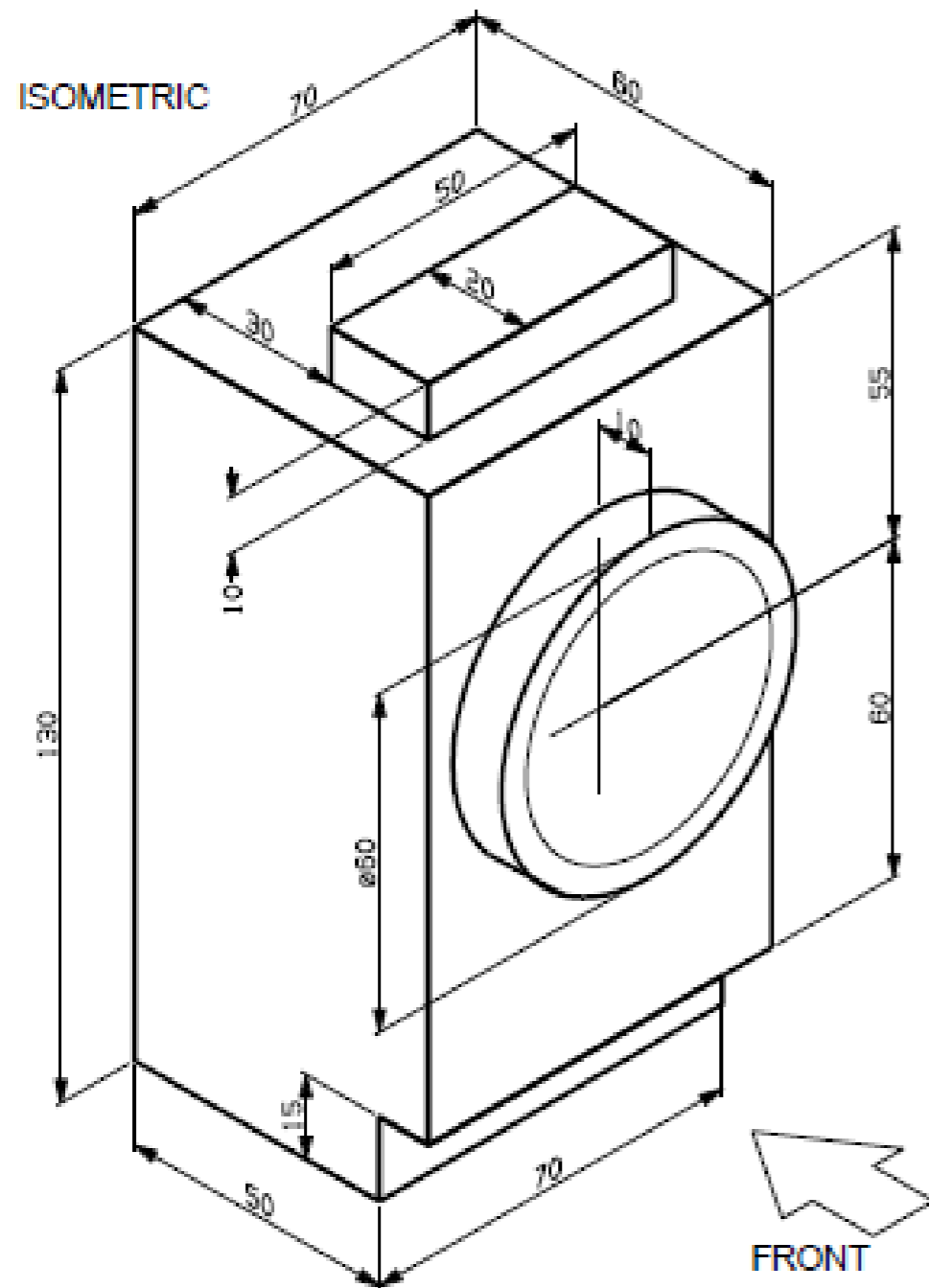
Name:	Class:	Date:		Question No:	Orthographic Views — 6
-------	--------	-------	--	--------------	------------------------

Orthographic Views — 7

— Washing Machine

Draw, in the suggested positions, the following views of the washing machine:

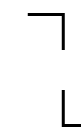
- a) Front Elevation looking from the direction shown by the arrow.
- b) End Elevation looking from the right.
- c) Plan.



PLAN

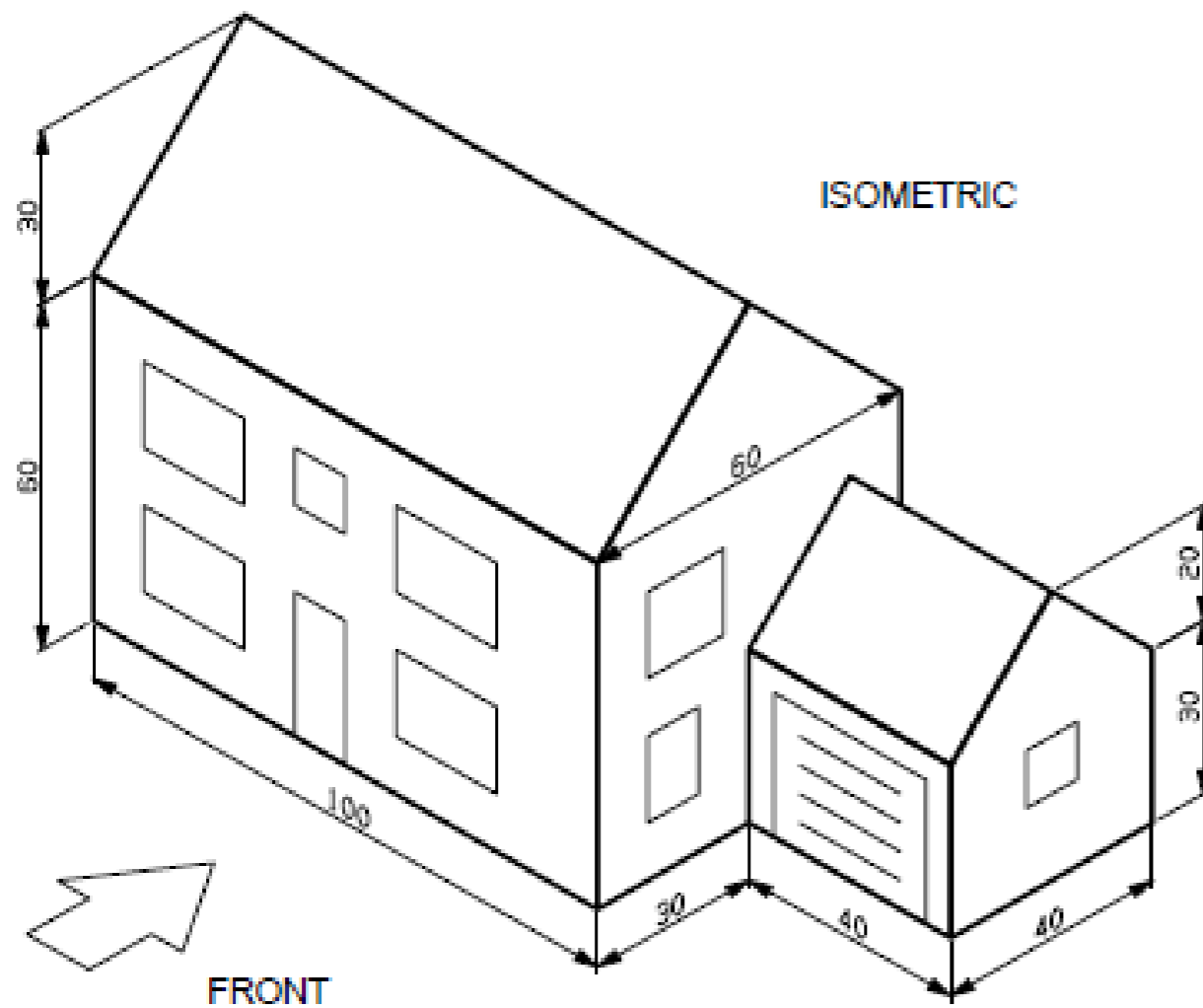


FRONT ELEVATION



END ELEVATION

Name:	Class:	Date:		Question No: Orthographic Views — 7
-------	--------	-------	--	--



PLAN

Orthographic Views — 8

— House with Garage

Draw, in the suggested positions, the following views of the two story house with a garage:

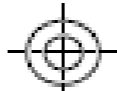
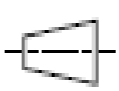
- Front Elevation looking from the arrow.
- End Elevation looking from the left.
- Plan.



END ELEVATION



FRONT ELEVATION

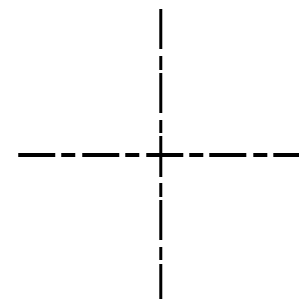
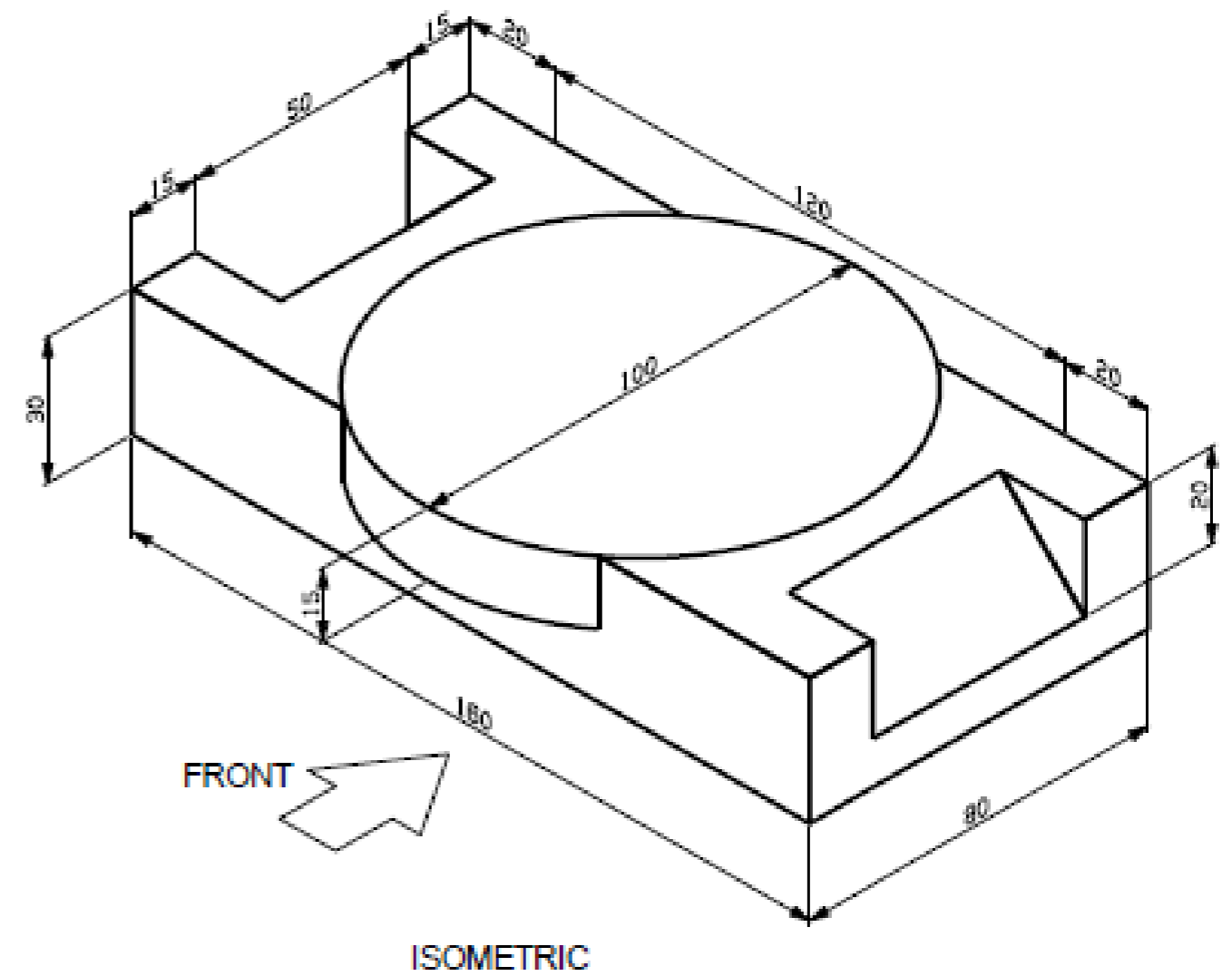
Name:	Class:	Date:	 	Question No: Orthographic Views — 8
-------	--------	-------	---	--

Orthographic Views — 9

— Games' Console

Draw, in the suggested positions, the following views of the console:

- a) Plan.
- b) Front Elevation looking from the direction shown by the arrow.
- c) End Elevation looking from the right.



PLAN

FRONT ELEVATION

END ELEVATION

Name:	Class:	Date:		Question No:	Orthographic Views — 9
-------	--------	-------	--	--------------	-------------------------------