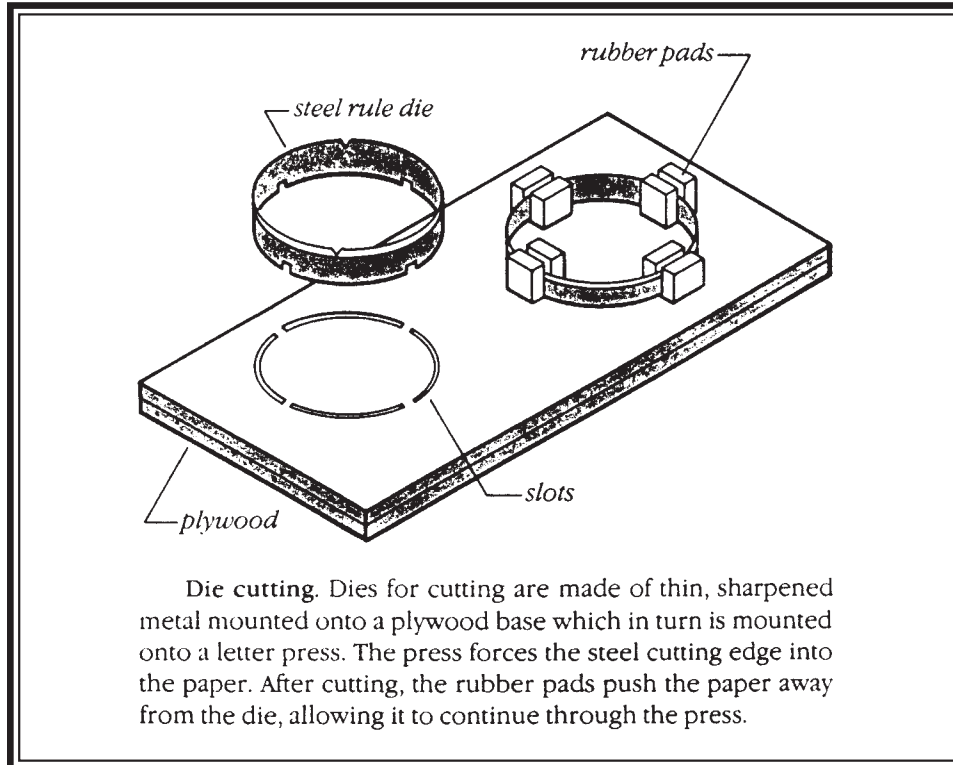
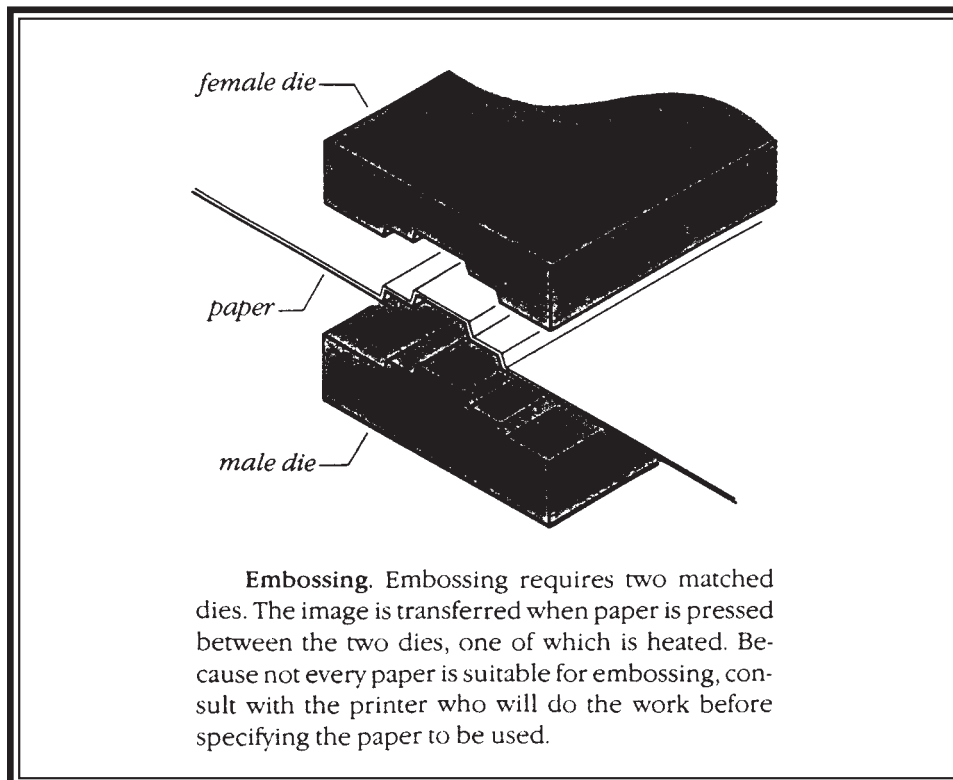


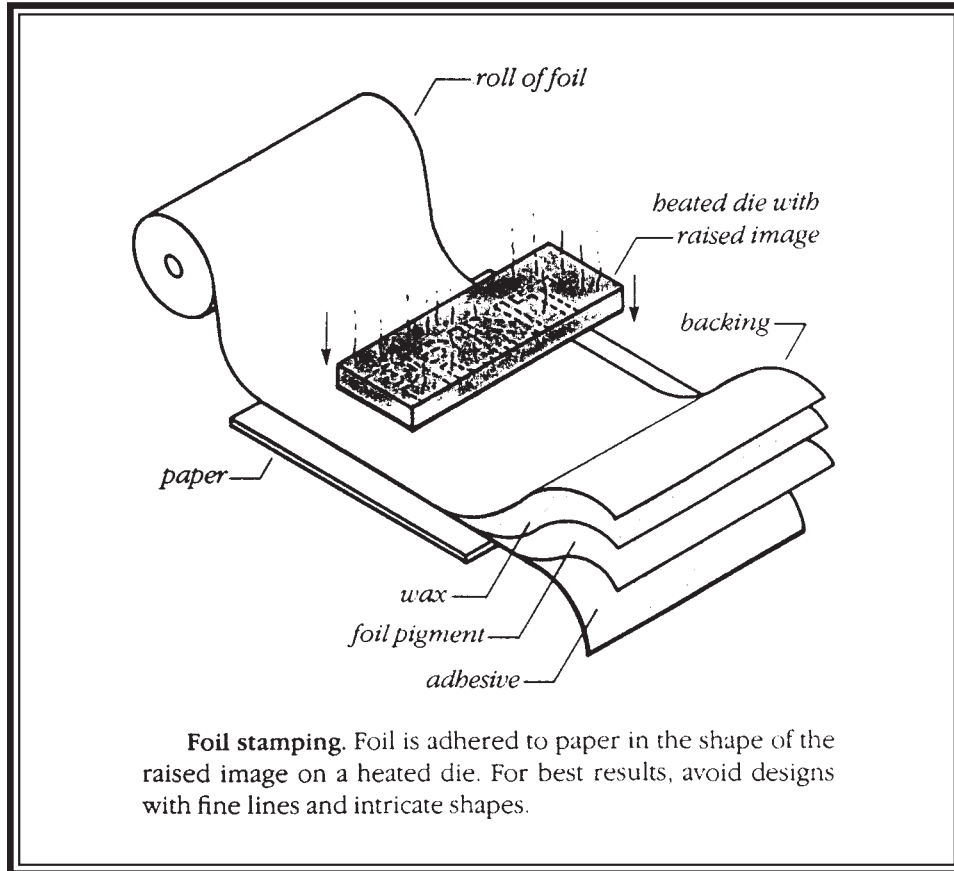
SUPPLEMENTAL PRINTING PROCESSES



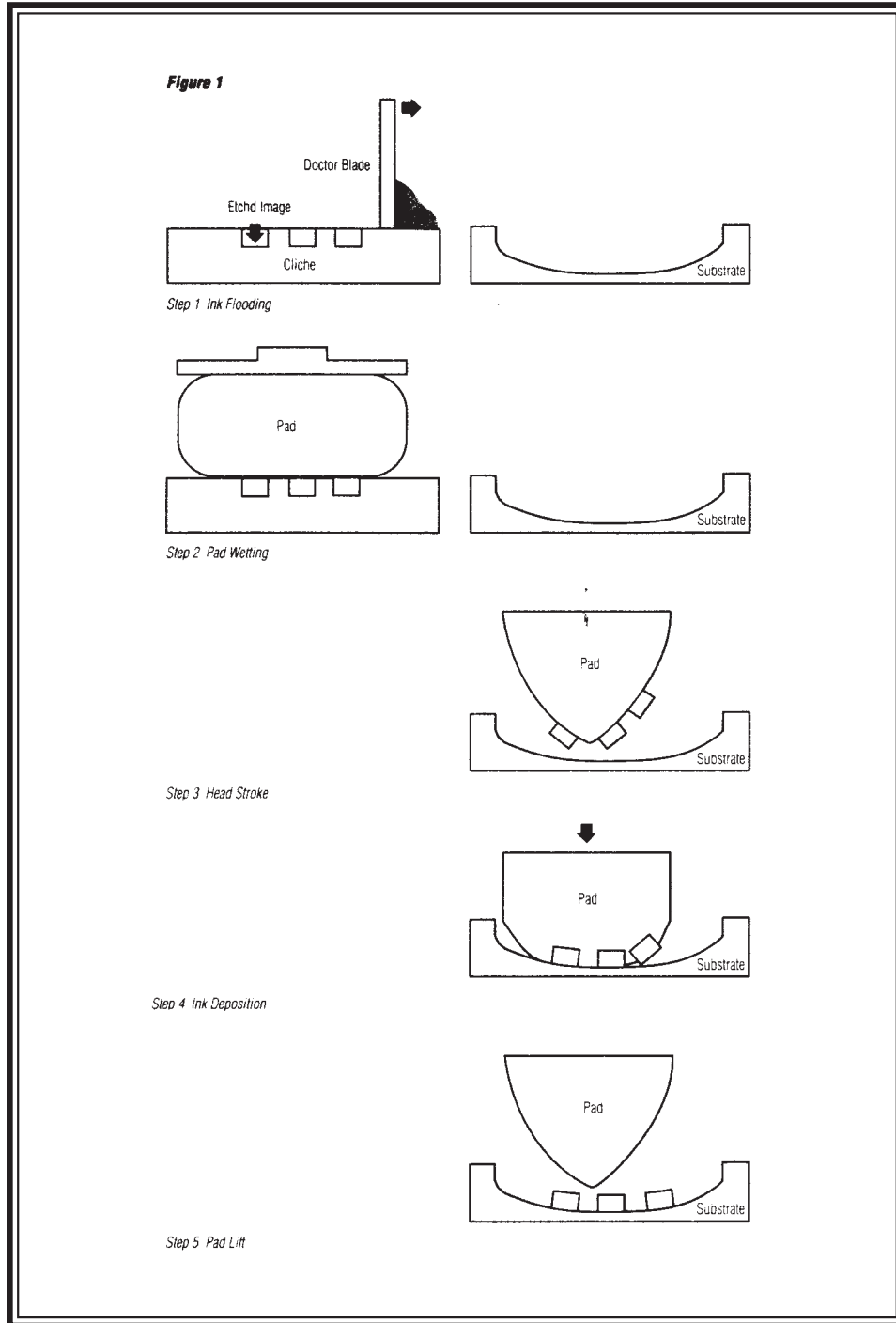
Die Cutting



Embossing



Foil stamping



Pad (Tampographic) printing