

X069/301

NATIONAL
QUALIFICATIONS
2000

WEDNESDAY, 31 MAY
9.00 AM – 11.30 AM

PHYSICS
HIGHER

Read Carefully

- 1 All questions should be attempted.

Section A (questions 1 to 20)

- 2 Check that the answer sheet is for Physics Higher (Section A).
- 3 Answer the questions numbered 1 to 20 on the answer sheet provided.
- 4 Fill in the details required on the answer sheet.
- 5 Rough working, if required, should be done only on this question paper, or on the first two pages of the answer book provided—**not** on the answer sheet.
- 6 For each of the questions 1 to 20 there is only **one** correct answer and each is worth 1 mark.
- 7 Instructions as to how to record your answers to questions 1–20 are given on page three.

Section B (questions 21 to 29)

- 8 Answer questions numbered 21 to 29 in the answer book provided.
- 9 Fill in the details on the front of the answer book.
- 10 Enter the question number clearly in the margin of the answer book beside each of your answers to questions 21 to 29.
- 11 Care should be taken to give an appropriate number of significant figures in the final answers to calculations.

DATA SHEET

COMMON PHYSICAL QUANTITIES

Quantity	Symbol	Value	Quantity	Symbol	Value
Speed of light in vacuum	c	$3.00 \times 10^8 \text{ m s}^{-1}$	Mass of electron	m_e	$9.11 \times 10^{-31} \text{ kg}$
Magnitude of the charge on an electron	e	$1.60 \times 10^{-19} \text{ C}$	Mass of neutron	m_n	$1.675 \times 10^{-27} \text{ kg}$
Gravitational acceleration	g	9.8 m s^{-2}	Mass of proton	m_p	$1.673 \times 10^{-27} \text{ kg}$
Planck's constant	h	$6.63 \times 10^{-34} \text{ J s}$			

REFRACTIVE INDICES

The refractive indices refer to sodium light of wavelength 589 nm and to substances at a temperature of 273 K.

Substance	Refractive index	Substance	Refractive index
Diamond	2.42	Water	1.33
Crown glass	1.50	Air	1.00

SPECTRAL LINES

Element	Wavelength/nm	Colour	Element	Wavelength/nm	Colour
Hydrogen	656	Red	Cadmium	644	Red
	486	Blue-green		509	Green
	434	Blue-violet		480	Blue
	410	Violet	<i>Lasers</i>		
	397	Ultraviolet	<i>Element</i>	<i>Wavelength/nm</i>	<i>Colour</i>
	389	Ultraviolet	Carbon dioxide	9550 } 10590 }	Infrared
Sodium	589	Yellow	Helium-neon	633	Red

PROPERTIES OF SELECTED MATERIALS

Substance	Density/ kg m^{-3}	Melting Point/ K	Boiling Point/ K
Aluminium	2.70×10^3	933	2623
Copper	8.96×10^3	1357	2853
Ice	9.20×10^2	273	...
Sea Water	1.02×10^3	264	377
Water	1.00×10^3	273	373
Air	1.29
Hydrogen	9.0×10^{-2}	14	20

The gas densities refer to a temperature of 273 K and a pressure of $1.01 \times 10^5 \text{ Pa}$.

SECTION A

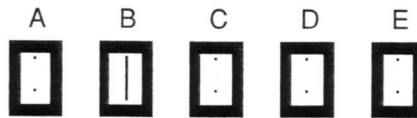
For questions 1 to 20 in this section of the paper, an answer is recorded on the answer sheet by indicating the choice A, B, C, D or E by a stroke made in ink in the appropriate box of the answer sheet—see the example below.

EXAMPLE

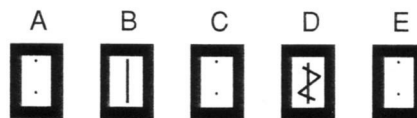
The energy unit measured by the electricity meter in your home is the

- A ampere
- B kilowatt-hour
- C watt
- D coulomb
- E volt.

The correct answer to the question is B—kilowatt-hour. Record your answer by drawing a heavy vertical line joining the two dots in the appropriate box on your answer sheet in the column of boxes headed B. The entry on your answer sheet would now look like this:



If after you have recorded your answer you decide that you have made an error and wish to make a change, you should cancel the original answer and put a vertical stroke in the box you now consider to be correct. Thus, if you want to change an answer D to an answer B, your answer sheet would look like this:



If you want to change back to an answer which has already been scored out, you should enter a tick (✓) to the RIGHT of the box of your choice, thus:



SECTION A

Answer questions 1–20 on the answer sheet.

1. Which of the following is a scalar quantity?

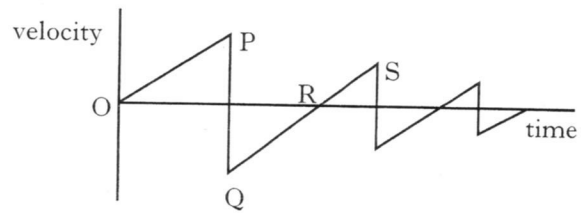
- A Velocity
- B Acceleration
- C Mass
- D Force
- E Momentum

2. A woman walks 12 km due North. She then turns round immediately and walks 4 km due South. The total journey takes 4 hours.

Which row in the following table gives the correct values for her average velocity and average speed?

	<i>Average velocity</i>	<i>Average speed</i>
A	4 km h ⁻¹ due N	4 km h ⁻¹
B	4 km h ⁻¹ due N	2 km h ⁻¹
C	3 km h ⁻¹ due N	4 km h ⁻¹
D	2 km h ⁻¹ due N	4 km h ⁻¹
E	2 km h ⁻¹ due N	3 km h ⁻¹

3. The following velocity-time graph describes the motion of a ball, dropped from rest and bouncing several times.

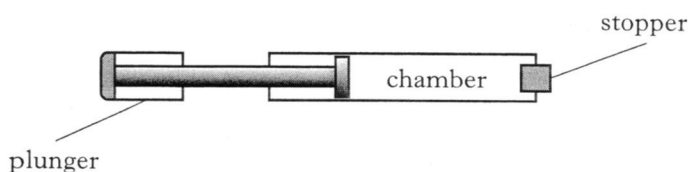


Which of the following statements is/are true?

- I The ball hits the ground at P.
 - II The ball is moving upwards between Q and R.
 - III The ball is moving upwards between R and S.
- A I only
 B II only
 C III only
 D I and II only
 E I and III only
4. The momentum of a rock of mass 4 kg is 12 kg m s⁻¹.
 The kinetic energy of the rock is
- A 6 J
 - B 18 J
 - C 36 J
 - D 144 J
 - E 288 J.
5. Density is measured in
- A N m⁻²
 - B N m⁻³
 - C kg m³
 - D kg m⁻²
 - E kg m⁻³.

6. The pressure of a fixed mass of gas is 100 kPa at a temperature of -52°C . The volume of the gas remains constant.
At what temperature would the pressure of the gas be 200 kPa?
- A -26°C
 B $+52^{\circ}\text{C}$
 C $+147^{\circ}\text{C}$
 D $+169^{\circ}\text{C}$
 E $+442^{\circ}\text{C}$

7. The end of a bicycle pump is sealed with a stopper so that the air in the chamber is trapped.



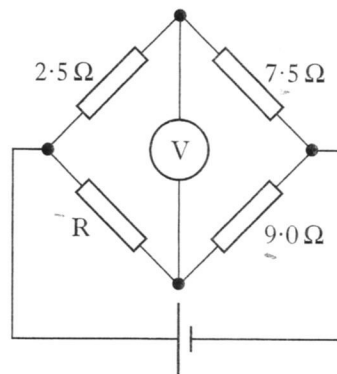
The plunger is now pushed in slowly causing the air in the chamber to be compressed. As a result of this the pressure of the trapped air increases.

Assuming that the temperature remains constant, which of the following explain/s why the pressure increases?

- I The air molecules increase their average speed.
- II The air molecules are colliding more often with the walls of the chamber.
- III Each air molecule is striking the walls of the chamber with greater force.

- A II only
 B III only
 C I and II only
 D I and III only
 E I, II and III
8. One volt is
- A one coulomb per joule
 B one joule coulomb
 C one joule per coulomb
 D one joule per second
 E one coulomb per second.

9. In the following circuit the reading on the voltmeter is zero.

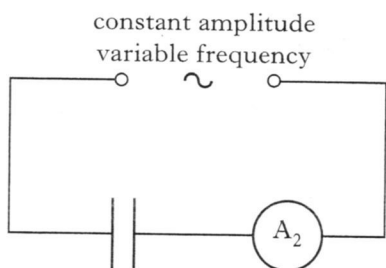
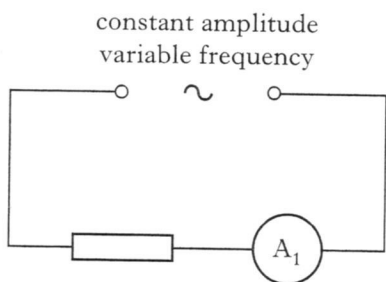


The resistance of resistor R is

- A $0.33\ \Omega$
 B $0.48\ \Omega$
 C $2.1\ \Omega$
 D $3.0\ \Omega$
 E $27\ \Omega$.

[Turn over

10. The circuits below have identical a.c. supplies which are set at a frequency of 200 Hz. A current is registered on each of the ammeters A_1 and A_2 .



The frequency of each a.c. supply is now increased to 500 Hz.

What happens to the readings on ammeters A_1 and A_2 ?

	A_1	A_2
A	increases	decreases
B	decreases	increases
C	no change	no change
D	no change	decreases
E	no change	increases

11. A student makes the following statements about ideal op-amps.

- I An op-amp used in the inverting mode inverts the input signal.
 II The gain equation for the inverting mode is

$$\frac{V_o}{V_i} = -\frac{R_1}{R_f}$$

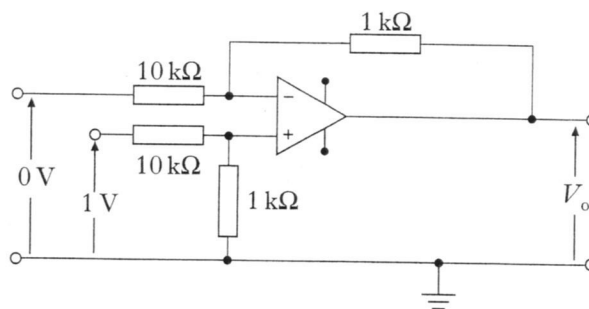
where the symbols have their usual meanings.

- III An op-amp used in the differential mode amplifies the sum of its two input voltages.

Which of the above statements is/are correct?

- A I only
 B II only
 C III only
 D I and II only
 E I, II and III

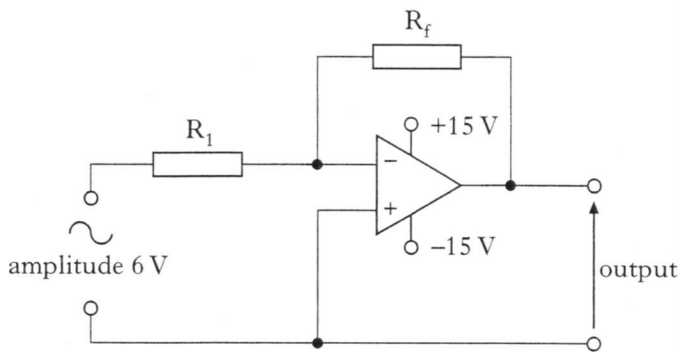
12. An op-amp circuit is connected as shown below.



What is the value of the output voltage V_o ?

- A 10 V
 B 0.1 V
 C 0 V
 D -0.1 V
 E -10 V

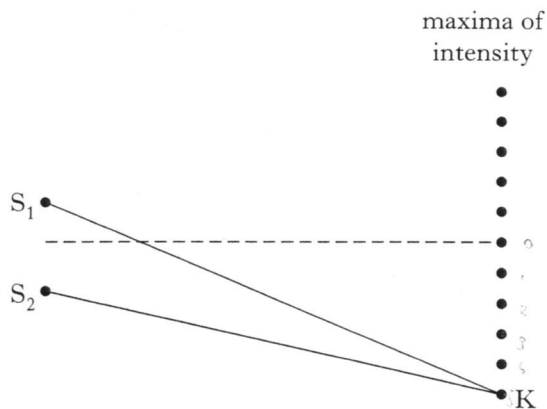
13. The circuit below is used to generate square waves. The amplitude of the alternating input voltage is 6 V.



Which values for resistors R_1 and R_f will produce an approximate square wave output?

	R_1	R_f
A	1 k Ω	10 k Ω
B	5 k Ω	10 k Ω
C	10 k Ω	10 k Ω
D	10 k Ω	5 k Ω
E	10 k Ω	1 k Ω

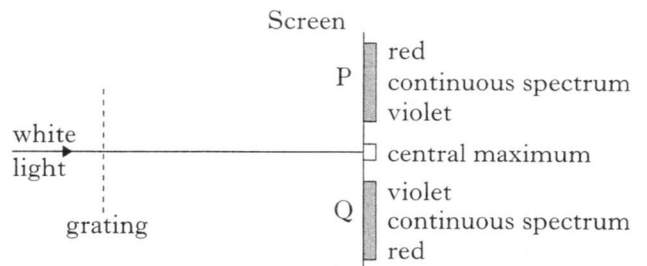
14. Waves from coherent sources, S_1 and S_2 , produce an interference pattern. Maxima of intensity are detected at the positions shown below.



The path difference $S_1K - S_2K$ is 154 mm. The wavelength of the waves is

- A 15.4 mm
- B 25.7 mm
- C 28.0 mm
- D 30.8 mm
- E 34.2 mm.

15. When white light passes through a grating, maxima of intensity are produced on a screen, as shown below. The central maximum is white. Continuous spectra are obtained at positions P and Q.



In the continuous spectra, violet is observed closest to the central maximum.

Which of the following statements is/are true?

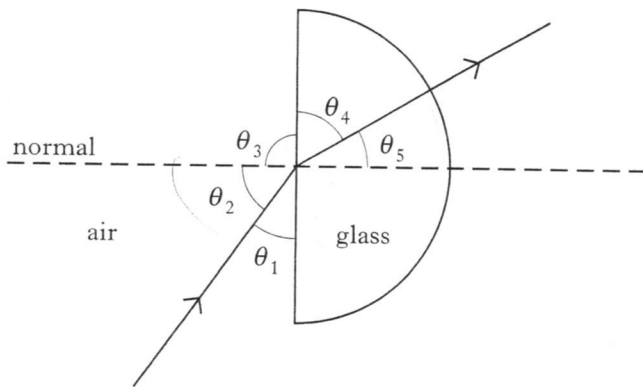
- I Violet light has the shortest wavelength of all the visible radiations.
 - II Violet light has the longest wavelength of all the visible radiations.
 - III Violet light travels faster through air than the other visible radiations.
- A I only
 - B II only
 - C III only
 - D I and III only
 - E II and III only

16. A ray of light passes from air into a substance that has a refractive index of 2.0. In air, the light has a wavelength λ and frequency f . Which row in the following table gives the wavelength and frequency of the light in the substance?

	Wavelength	Frequency
A	λ	f
B	$\lambda/2$	$f/2$
C	$\lambda/2$	f
D	2λ	$2f$
E	2λ	f

[Turn over

17. The diagram below shows a ray of red light passing through a semicircular block of glass.



The refractive index of the glass for this light can be calculated from

- A $\frac{\sin \theta_3}{\sin \theta_4}$
- B $\frac{\sin \theta_1}{\sin \theta_4}$
- C $\frac{\sin \theta_2}{\sin \theta_5}$
- D $\frac{\sin \theta_2}{\sin \theta_4}$
- E $\frac{\sin \theta_1}{\sin \theta_5}$
18. The statement below represents a nuclear reaction.
- $${}_{92}^{235}\text{U} + {}_0^1\text{n} \rightarrow {}_{36}^{92}\text{Kr} + {}_{56}^{141}\text{Ba} + {}_0^1\text{n} + {}_0^1\text{n} + {}_0^1\text{n}$$
- This is an example of
- A nuclear fusion
- B alpha particle emission
- C beta particle emission
- D spontaneous nuclear fission
- E induced nuclear fission.

19. A radioactive source that emits gamma radiation is kept in a large container. A count rate of 160 counts per minute, after correction for background radiation, is recorded outside the container.

The container is to be shielded so that the corrected count rate at the same point outside the container is no more than 10 counts per minute.

Lead and water are available as shielding materials. For this source, the half-value thickness of lead is 11 mm and the half-value thickness of water is 110 mm.

Which of the following shielding arrangements will comply with the above requirement?

- A 40 mm of lead only
- B 33 mm of lead plus 110 mm of water
- C 20 mm of lead plus 220 mm of water
- D 11 mm of lead plus 275 mm of water
- E 10 mm of lead plus 330 mm of water
20. The diagram below represents possible energy levels of an atom.

P	_____	$-5.2 \times 10^{-19} \text{ J}$
Q	_____	$-9.0 \times 10^{-19} \text{ J}$
R	_____	$-16.4 \times 10^{-19} \text{ J}$
S	_____	$-24.6 \times 10^{-19} \text{ J}$

Which of the following statements is/are true?

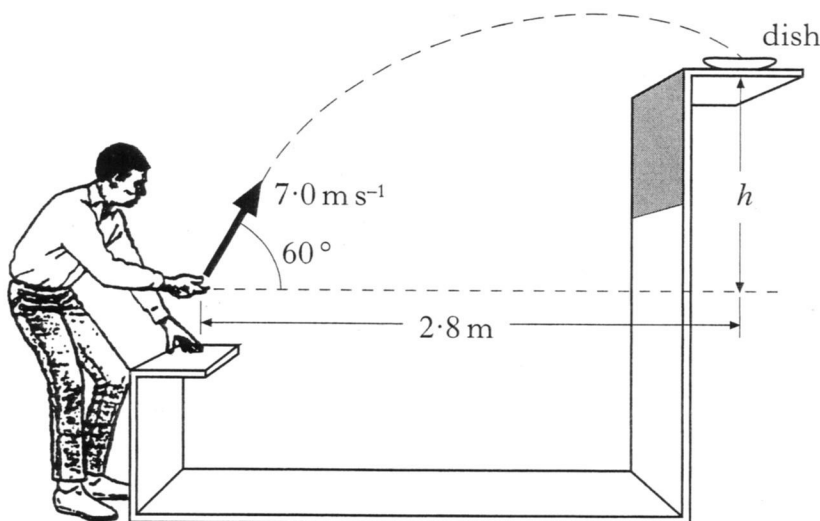
- I There are four emission lines in the spectrum produced as a result of transitions between the energy levels shown.
- II The radiation emitted with the shortest wavelength is produced by an electron falling from level P to level S.
- III The zero energy level in an energy level diagram is known as the ionisation level.
- A I and II only
- B I and III only
- C II and III only
- D III only
- E I, II and III

SECTION B

Write your answers to questions 21 to 29 in the answer book.

Marks

21. At a funfair, a prize is awarded if a coin is tossed into a small dish. The dish is mounted on a shelf above the ground as shown.



A contestant projects the coin with a speed of 7.0 m s^{-1} at an angle of 60° to the horizontal. When the coin leaves his hand, the **horizontal distance** between the coin and the dish is 2.8 m . The coin lands in the dish.

The effect of air friction on the coin may be neglected.

(a) Calculate:

- (i) the horizontal component of the initial velocity of the coin;
- (ii) the vertical component of the initial velocity of the coin.

2

(b) Show that the time taken for the coin to reach the dish is 0.8 s .

1

(c) What is the height, h , of the shelf above the point where the coin leaves the contestant's hand?

2

(d) How does the value of the kinetic energy of the coin when it enters the dish compare with the kinetic energy of the coin just as it leaves the contestant's hand?

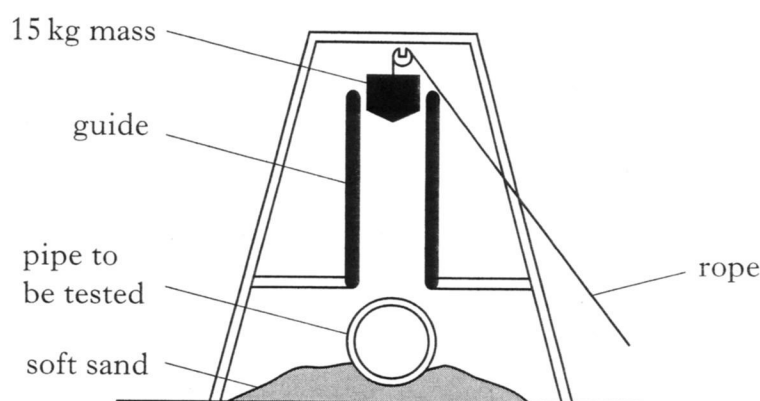
Justify your answer.

2

(7)

[Turn over

22. The apparatus shown below is used to test concrete pipes.



When the rope is released, the 15 kg mass is dropped and falls freely through a distance of 2.0 m on to the pipe.

- (a) In one test, the mass is dropped on to an uncovered pipe.
- Calculate the speed of the mass just before it hits the pipe.
 - When the 15 kg mass hits the pipe the mass is brought to rest in a time of 0.02 s. Calculate the size and direction of the average unbalanced force on the **pipe**.
- (b) The same 15 kg mass is now dropped through the same distance on to an identical pipe which is covered with a thick layer of soft material.
- Describe and explain the effect this layer has on the size of the average unbalanced force on the pipe.
- (c) Two 15 kg masses, X and Y, shaped as shown, are dropped through the same distance on to identical uncovered concrete pipes.

5

2



When the masses hit the pipes, the masses are brought to rest in the same time.

Which mass causes more damage to a pipe?

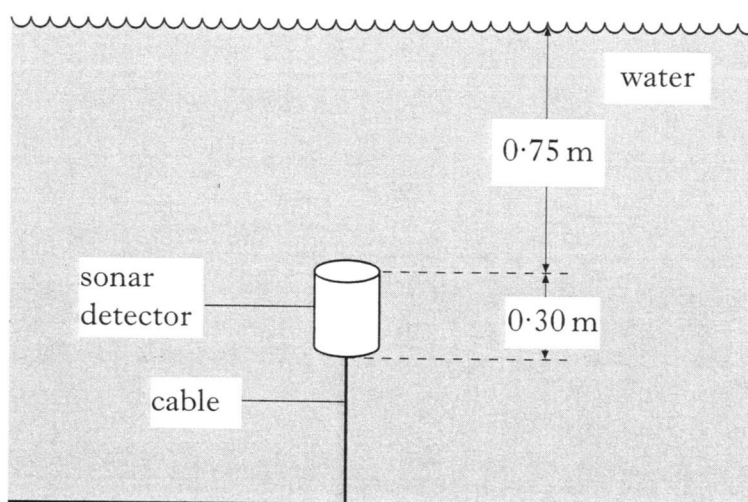
Explain your answer in terms of pressure.

2

(9)

Marks

23. A sonar detector is attached to the bottom of a fresh water loch by a vertical cable as shown.



The detector has a mass of 100 kg. Each end of the detector has an area of 0.40 m^2 . Atmospheric pressure is $101\,000 \text{ Pa}$.

- (a) The total pressure on the top of the detector is $108\,350 \text{ Pa}$.
 Show that the total pressure on the bottom of the detector is $111\,290 \text{ Pa}$. 2
- (b) Calculate the upthrust on the detector. 3
- (c) The sonar detector is now attached, as before, to the bottom of a **sea water** loch. The top of the detector is again 0.75 m below the surface of the water.

How does the size of the upthrust on the detector now compare with your answer to (b)?

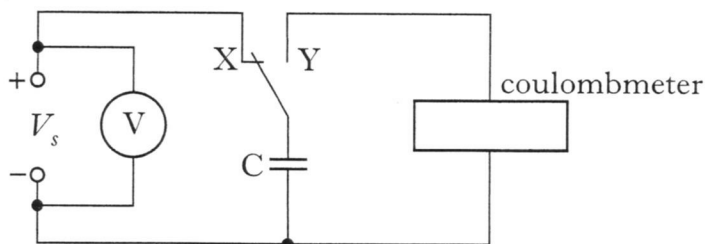
You must justify your answer.

2

(7)

[Turn over

24. (a) In an experiment to measure the capacitance of a capacitor, a student sets up the following circuit.



When the switch is in position X, the capacitor charges up to the supply voltage, V_s . When the switch is in position Y, the coulombmeter indicates the charge stored by the capacitor.

The student records the following measurements and uncertainties.

Reading on voltmeter = (2.56 ± 0.01) V

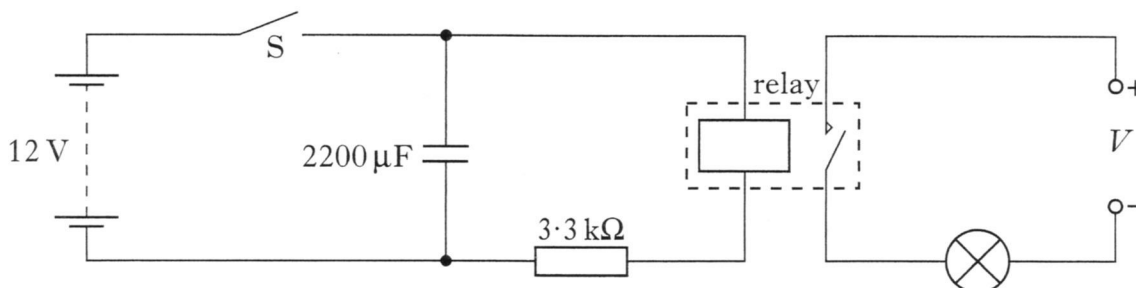
Reading on coulombmeter = (32 ± 1) μ C

Calculate the value of the capacitance and the percentage uncertainty in this value. You must give the answer in the form

value \pm percentage uncertainty.

3

- (b) The student designs the circuit shown below to switch off a lamp after a certain time.



The 12 V battery has negligible internal resistance.

The relay contacts are normally open. When there is a current in the relay coil the contacts close and complete the lamp circuit.

Switch S is initially closed and the lamp is on.

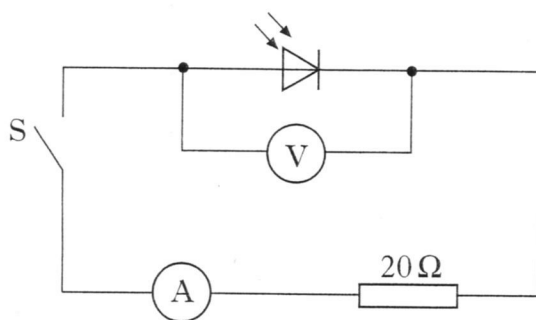
- (i) What is the maximum energy stored in the capacitor?
- (ii) (A) Switch S is now opened. Explain why the lamp stays lit for a few seconds.
- (B) The 2200 μ F capacitor is replaced with a 1000 μ F capacitor.

Describe and explain the effect of this change on the operation of the circuit.

6

(9)

25. A photodiode is connected in a circuit as shown below.



Switch S is open.

Light is shone on to the photodiode.

A reading is obtained on the voltmeter.

- (a) (i) State the mode in which the photodiode is operating.
 (ii) Describe the effect of light on the material of which the photodiode is made.
 (iii) The intensity of the light on the photodiode is increased.
 What happens to the reading on the voltmeter?

3

- (b) Light of a constant intensity is shone on to the photodiode in the circuit shown above.

The following measurements are obtained with S open and then with S closed.

	S open	S closed
<i>reading on voltmeter/V</i>	0.508	0.040
<i>reading on ammeter/mA</i>	0.00	2.00

- (i) What is the value of the e.m.f. produced by the photodiode for this light intensity?
 (ii) Calculate the internal resistance of the photodiode for this light intensity.

3

- (c) In the circuit above, the 20 Ω resistor is now replaced with a 10 Ω resistor.

The intensity of the light is unchanged.

The following measurements are obtained.

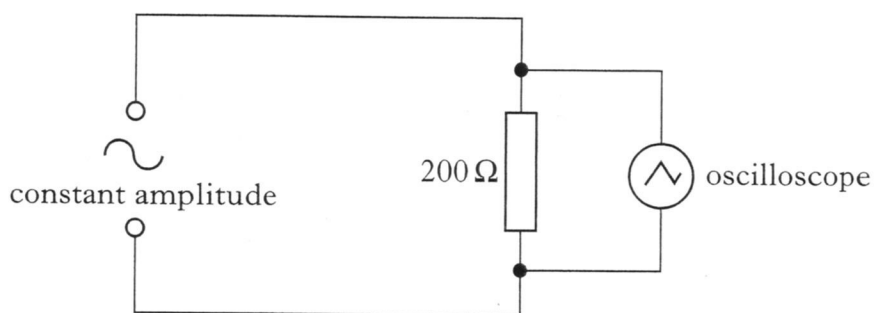
	S open	S closed
<i>reading on voltmeter/V</i>	0.508	0.021

Explain why the reading on the voltmeter, when S is closed, is smaller than the corresponding reading in part (b).

2

(8)

26. A circuit is set up as shown below. The amplitude of the output voltage of the a.c. supply is kept constant.

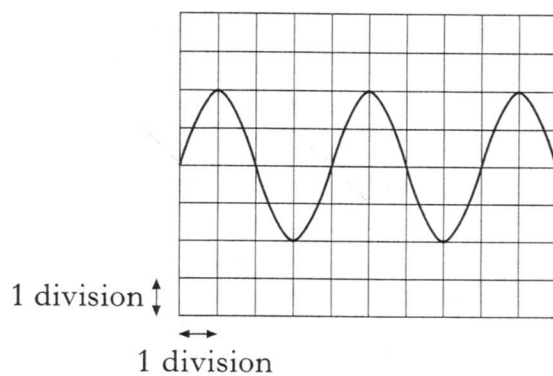


The settings of the controls on the oscilloscope are as follows:

y-gain setting = 5 V/division

time-base setting = 2.5 ms/division

The following trace is displayed on the oscilloscope screen.

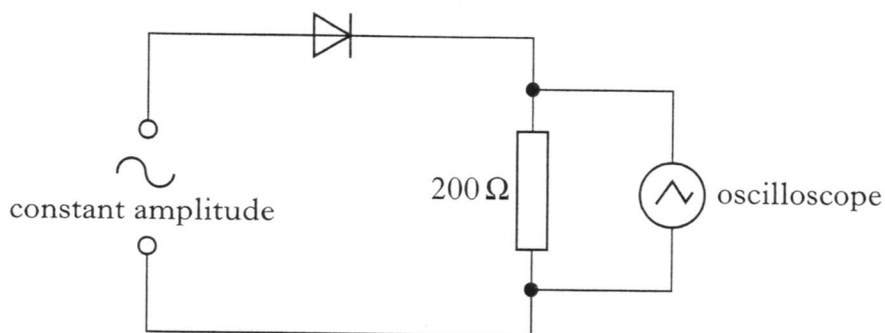


- (a) (i) Calculate the frequency of the output from the a.c. supply.
 (ii) Calculate the **r.m.s. current** in the 200 Ω resistor.

5

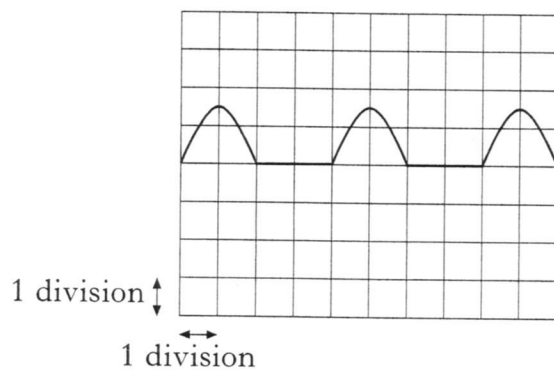
26. (continued)

(b) A diode is now connected in the circuit as shown below.



The settings on the controls of the oscilloscope remain unchanged.

Connecting the diode in the circuit causes **changes** to the original trace displayed on the oscilloscope screen. The new trace is shown below.



Describe and explain the changes to the original trace.

2

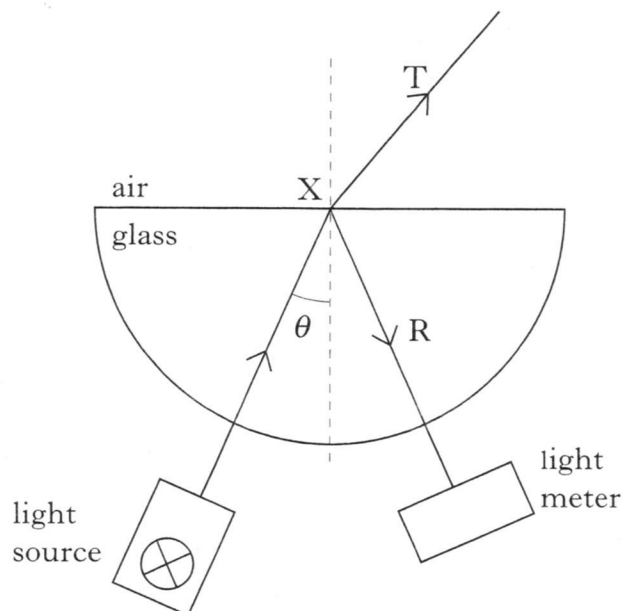
(7)

[Turn over

27. A student is investigating the effect that a semicircular glass block has on a ray of monochromatic light.

She observes that at point X the incident ray splits into two rays:

- T — a transmitted ray
 R — a reflected ray.

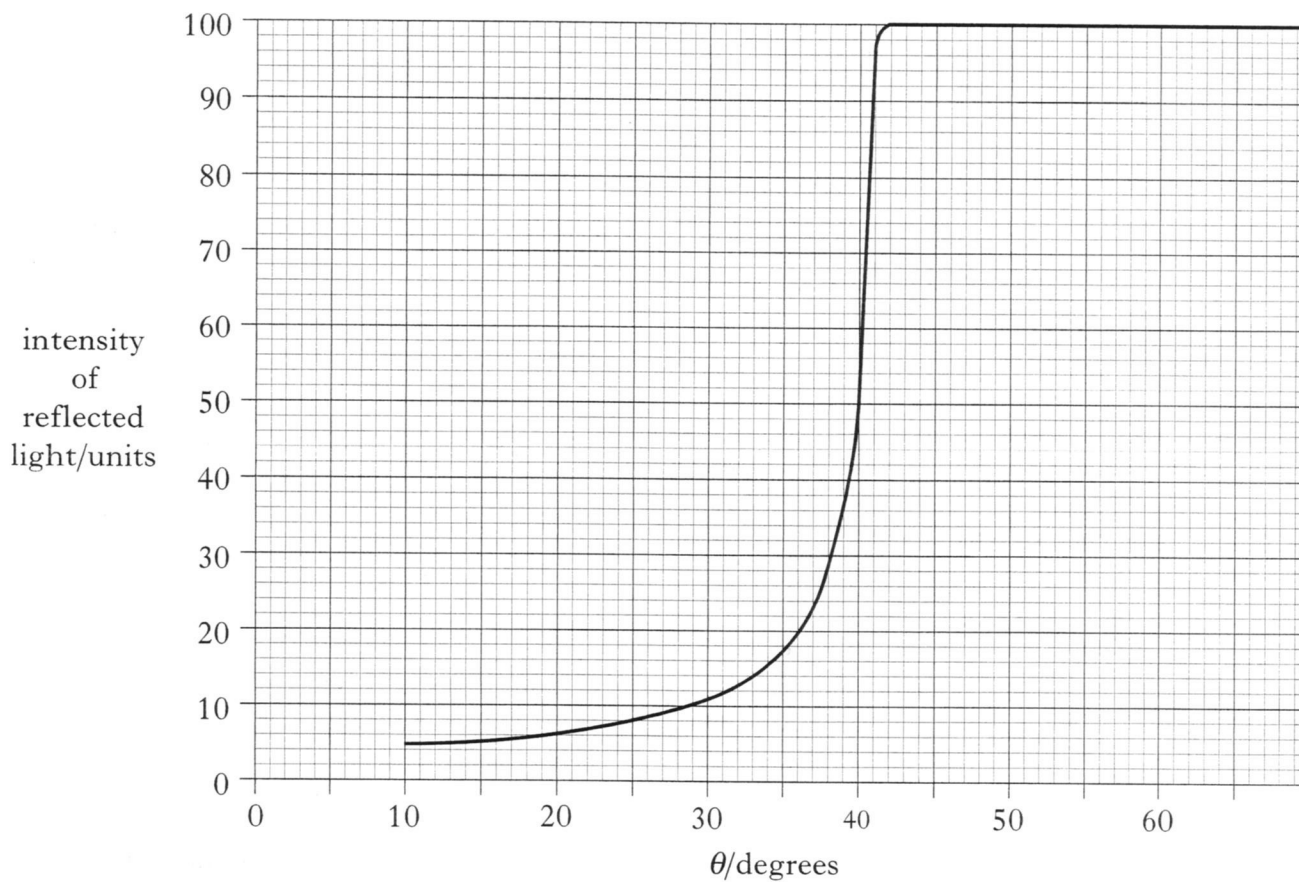


The student uses a light meter to measure the intensity of ray R as angle θ is changed.

- (a) State what is meant by the *intensity* of a radiation. 1
- (b) Explain why, as angle θ is changed, it is important to keep the light meter at a constant distance from point X for each measurement of intensity. 1

27. (continued)

(c) The graph below is obtained from the student's results.



- (i) What is the value of the critical angle in the glass for this light?
- (ii) Calculate the refractive index of the glass for this light.
- (iii) As the angle θ is increased, what happens to the intensity of ray T?

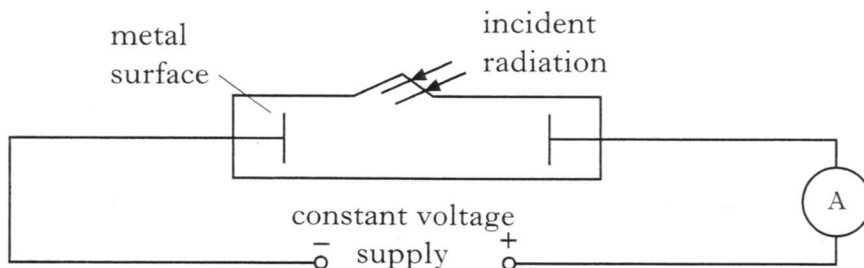
4

(6)

[Turn over

28. (a) The apparatus shown below is used to investigate photoelectric emission from a metal surface when electromagnetic radiation is shone on the surface.

The intensity and frequency of the incident radiation can be varied as required.



- (i) Explain what is meant by *photoelectric emission* from a metal.
- (ii) What is the name given to the minimum frequency of the radiation that produces a current in the circuit?
- (iii) A particular source of radiation produces a current in the circuit.

Explain why the current in the circuit increases as the intensity of the incident radiation increases.

4

- (b) A semiconductor chip is used to store information. The information can only be erased by exposing the chip to ultraviolet radiation for a period of time.

The following data is provided.

Frequency of ultraviolet radiation used $= 9.0 \times 10^{14} \text{ Hz}$

Minimum intensity of ultraviolet radiation required at the chip $= 25 \text{ W m}^{-2}$

Area of the chip exposed to radiation $= 1.8 \times 10^{-9} \text{ m}^2$

Time taken to erase the information $= 15 \text{ minutes}$

Energy of radiation needed to erase the information $= 40.5 \mu\text{J}$

- (i) Calculate the energy of a photon of the ultraviolet radiation used.
- (ii) Calculate the number of photons of the ultraviolet radiation required to erase the information.
- (iii) Sunlight of intensity 25 W m^{-2} , at the chip, can also be used to erase the information.

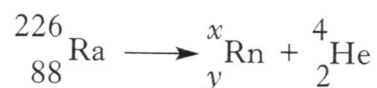
State whether the time taken to erase the information is greater than, equal to or less than 15 minutes.

You must justify your answer.

5

(9)

29. Radium (Ra) decays to radon (Rn) by the emission of an alpha particle. Some energy is also released by this decay. The decay is represented by the statement shown below.



The masses of the nuclides involved are as follows.

$$\text{Mass of } {}_{88}^{226}\text{Ra} = 3.75428 \times 10^{-25} \text{ kg}$$

$$\text{Mass of } {}_y^x\text{Rn} = 3.68771 \times 10^{-25} \text{ kg}$$

$$\text{Mass of } {}_2^4\text{He} = 6.64832 \times 10^{-27} \text{ kg}$$

- (a) (i) What are the values of x and y for the nuclide ${}_y^x\text{Rn}$?
 (ii) Why is energy released by this decay?
 (iii) Calculate the energy released by one decay of this type. 5
- (b) The alpha particle leaves the radium nucleus with a speed of $1.5 \times 10^7 \text{ m s}^{-1}$. The alpha particle is now accelerated through a potential difference of 25 kV.
 Calculate the **final** kinetic energy, in joules, of the alpha particle. 3

(8)

[END OF QUESTION PAPER]

[BLANK PAGE]