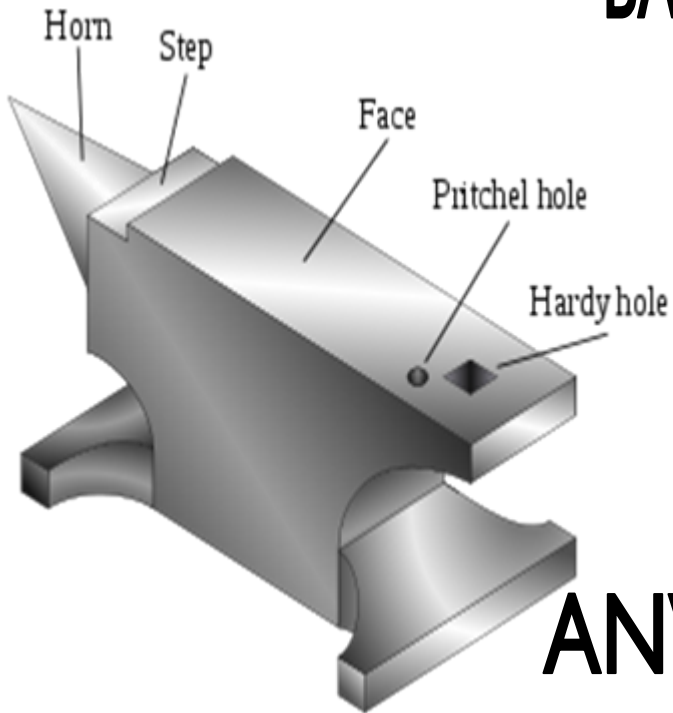


TONGS



ANVIL

BALL PEIN HAMMER



CERAMIC CHIP FORGE

FILES



SURFORM



ABRA FILE



NEEDLE FILE



FILE CARD



DIE AND DIE STOCK



SPOT WELDER



SOLDERING IRON



TAP AND TAP WRENCH



RIVETS AND RIVET SET



ARC WELDER



BRACE AND BIT



CHUCK KEY



POWER DRILL



**HAND DRILL/
WHEEL BRACE**



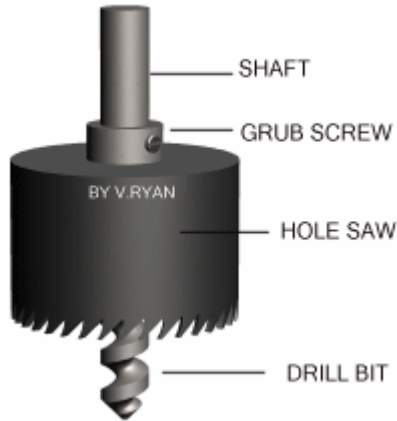
PILLAR/PEDESTAL DRILL



CORDLESS DRILL



HOLE SAW



FLAT/SPADE BIT



AUGER



TWIST/ JOBBER DRILL



FORSTNER



ROSE BIT



BRAD POINT/ DOWEL BIT



**WARRINGTON PATTERN/
CROSS PEIN**



**BEECH/
TAPERED MALLET**



HIDE MALLET



BALL PEIN



TENON



PANEL



COPING



SCROLL



BENCH HOOK/
SAW BOARD



JIG



HACK



BAND



JUNIOR
HACKSAW



SASH



G



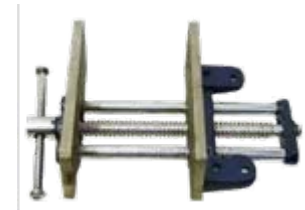
WEB



ENGINEERS



BENCH



MACHINE



HAND



**COMBINATION
PLIERS**



**LONG/
NEEDLENOSE
PLIERS**



**SIDE
CUTTERS**



**ADJUSTABLE/
YANKEE
PLIERS**



**END
CUTTERS**



**VICE
GRIPS**



**BEVEL
EDGE**



MORTISE



FIRMER



**MORTISE
MACHINE
AND
MORTISE
DRILLS**



ROUTER



**HAND
ROUTER**



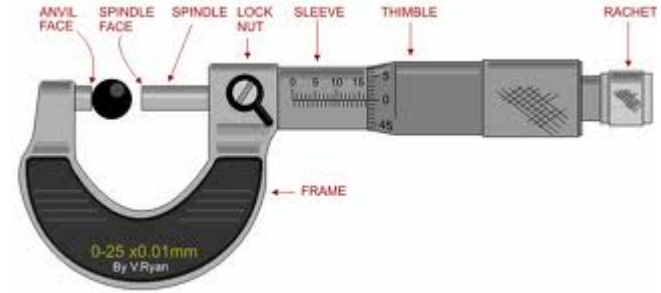
**FINGER
ROUTER**



**INSIDE
CALLIPERS**



MICROMETER



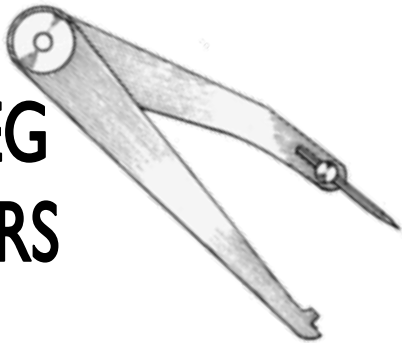
**OUTSIDE
CALLIPERS**



**SPRING
DIVIDERS**



**ODD LEG
CALLIPERS**



FLAT BLADE SCREWDRIVER



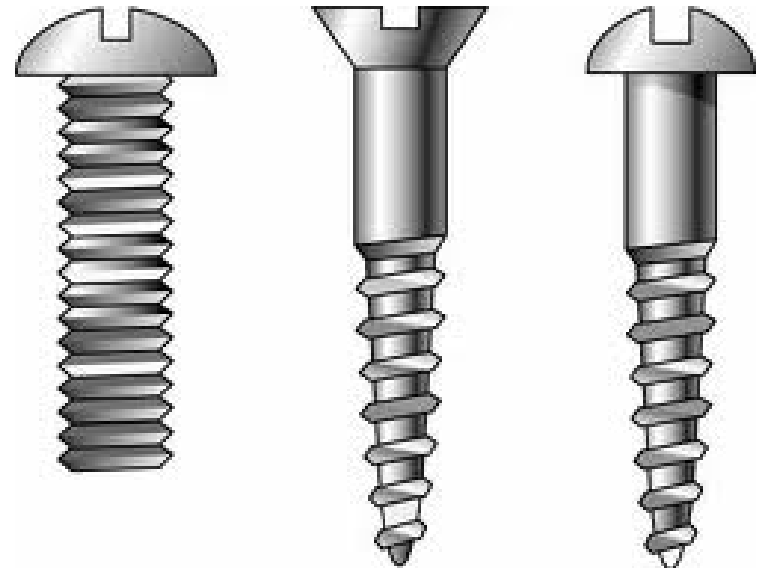
BRADAWL

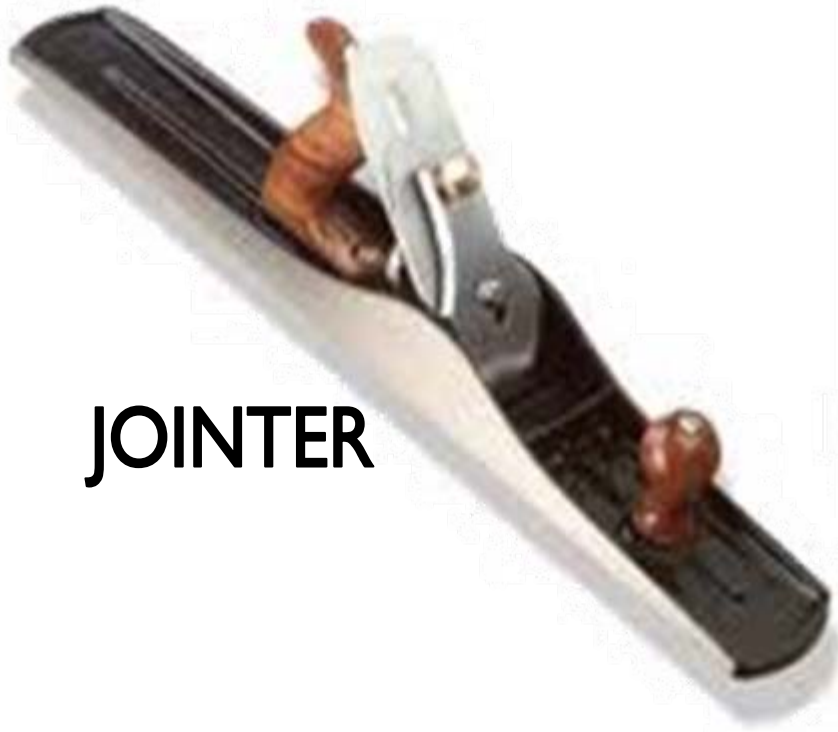


POZI DRIVE PHILLIPS HEAD



MACHINE SCREW COUNTERSUNK PANHEAD





JOINTER



JACK



SMOOTHING



BLOCK

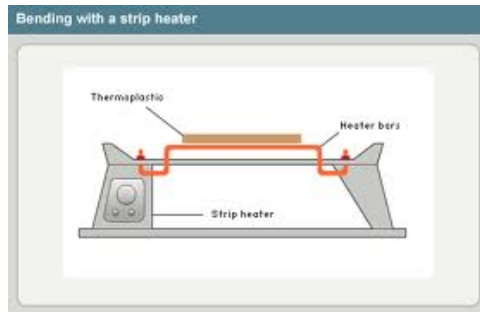
FLUIDISER



OVEN



**STRIP
HEATER**



**VACUUM
FORMER**



**GLUE
GUN**



**SAFETY
GOGGLES**



**CENTRE
PUNCH**



**CORK
BLOCK**



**NAIL
PUNCH**



**ORBITAL
SANDER**



**MARKING
GAUGE**



**STEEL
RULE**



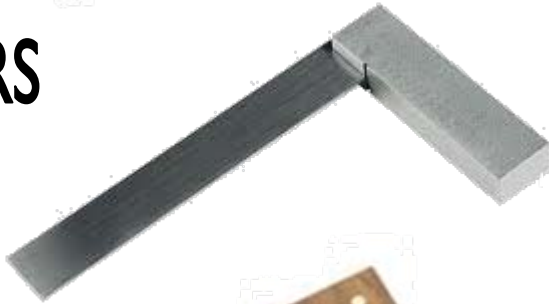
**MORTISE
GAUGE**



PENCIL



**ENGINEERS
SQUARE**



**TRY
SQUARE**



SCRIBER



**KNURLING
TOOL**



**JACOBS
CHUCK**



**CENTRE
DRILL**



**METALWORK
LATHE**



**PARTING
TOOL**



GOUGE



**DEAD
CENTRE**



**LIVE
CENTRE**



**WOODWORK
LATHE**

