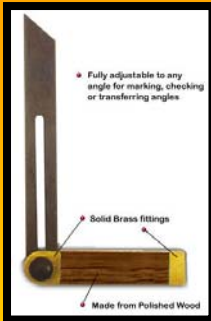
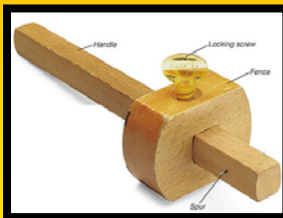


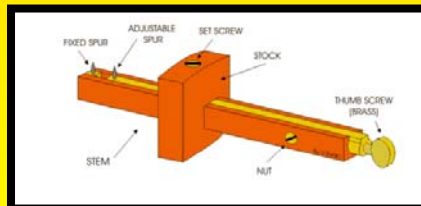
# MARKING OUT - WOOD



**BEVEL GAUGE**



**MARKING GAUGE**



**MORTISE GAUGE**



**TRY SQUARE**

Before cutting, shaping, drilling or just about doing anything to a piece of wood, you should clearly mark out guidelines to help you work accurately.

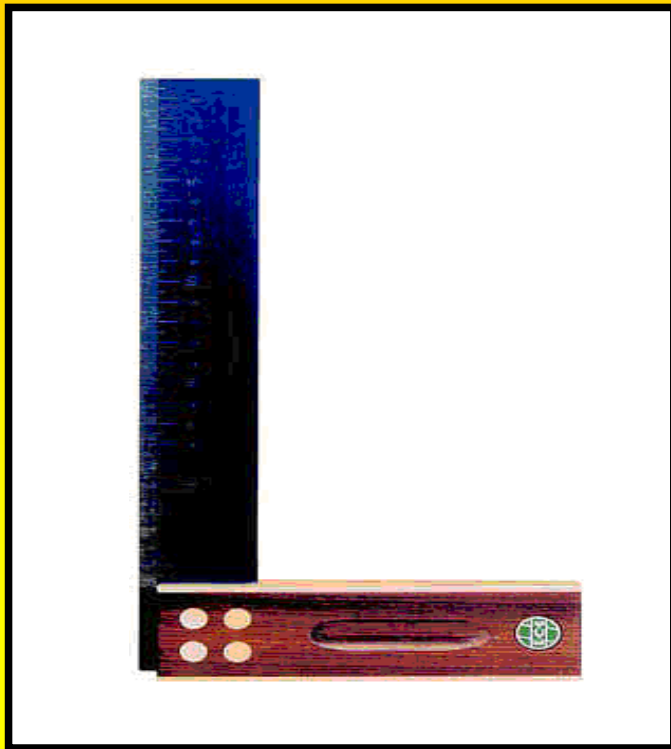
There is a whole range of tools designed specifically to help you mark out your wood more easily. You will need to know how to describe these tools for the exam. Learn their names, their individual parts and learn how to describe how they are used.

Click on the black squares above to find out more about the marking out tools used in woodwork.

## TRY SQUARE

### WHAT IS IT ?

A try square is a woodworking tool with a wooden body and a metal blade. The blade is at right angles to the body and the tool is made to a high degree of precision. You can be sure the right angle is exactly  $90^{\circ}$ .



### WHAT IS IT USED FOR ?

A try square has two main purposes.

Firstly it can be used to check if two surfaces are at right angles to each other.

Secondly, when marking out a joint or a cut, a try square can be used to mark a line at right angles to an edge.

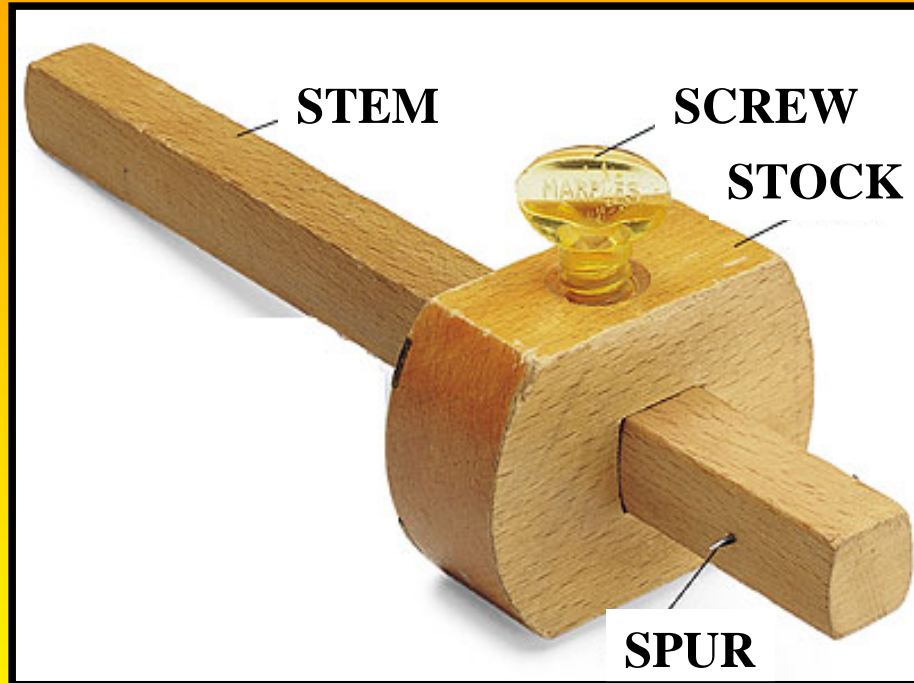
## MARKING GAUGE

### WHAT IS IT ?

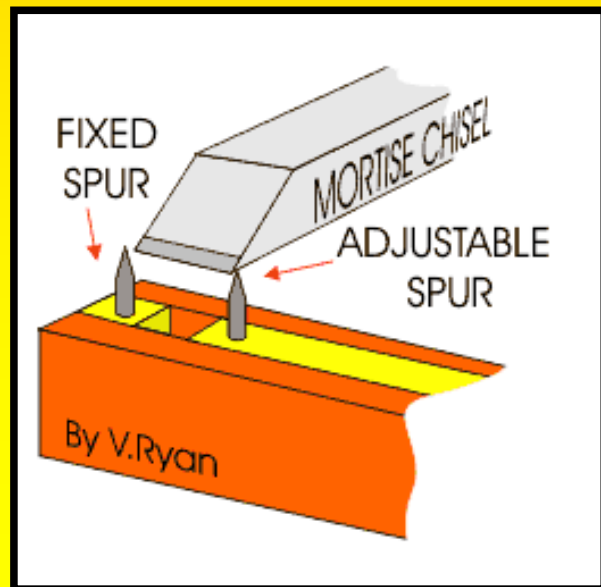
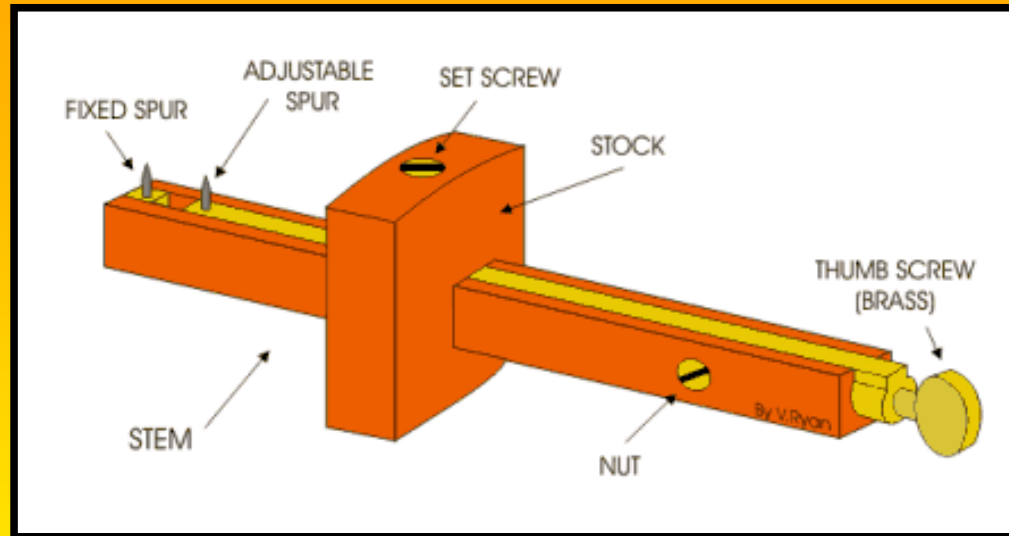
A marking gauge is a woodwork marking out tool.

### WHAT IS IT USED FOR ?

When marking out a piece of wood, perhaps for a joint etc., you will often have to mark a line parallel to the edge of the wood. With the stock held firmly against the side of the wood, the spur is used to make a slight score in the wood. A pencil can then be used to make the score clearer to see.



## MORTISE GAUGE



### WHAT IS IT ?

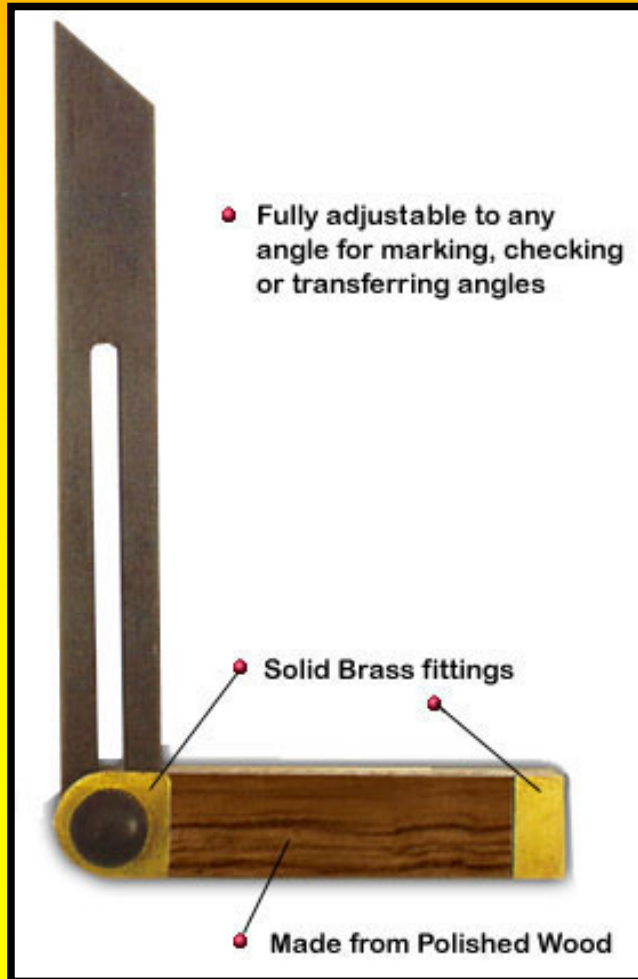
A mortise gauge is a woodwork marking out tool.

### WHAT IS IT USED FOR ?

When marking out the shape of a mortise and tenon joint on a piece of wood, you would often have to mark two parallel lines on the wood the width of the tenon apart. A mortise gauge can score two lines at the same time and their distance apart can be set by adjusting the thumb screw (see above).

## WHAT IS IT ?

A bevel gauge is a woodworking tool with a wooden body and a metal blade. The metal blade has a slot which allows it to rotate and to run along a slot. A brass wing nut acts as a clamp so that the metal blade can be set at a particular angle to the body then locked at that angle.



# BEVEL GAUGE

## WHAT IS IT USED FOR ?

A bevel gauge has two main purposes.

Firstly it can be used to check if two surfaces are at a particular angle to each other. Secondly, when marking out a joint or a cut, a bevel gauge can be used to mark a line at a particular angle to an edge.

