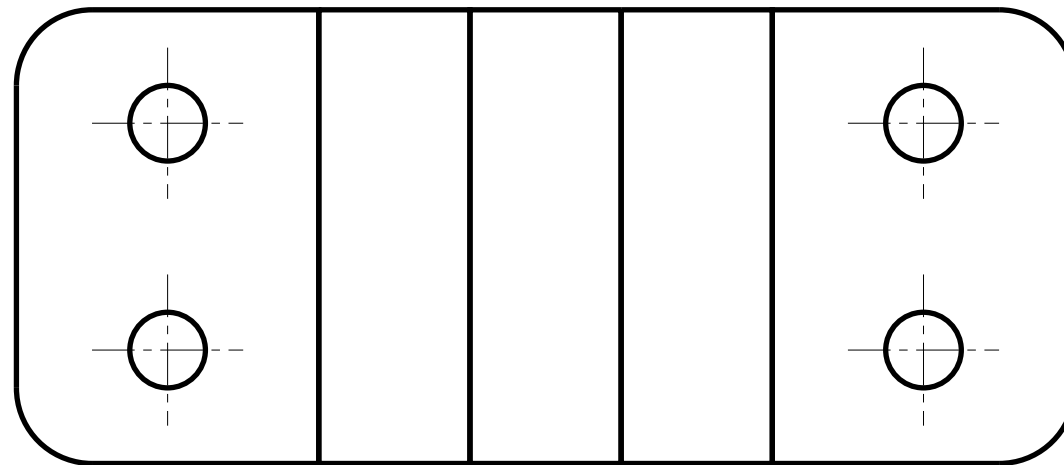


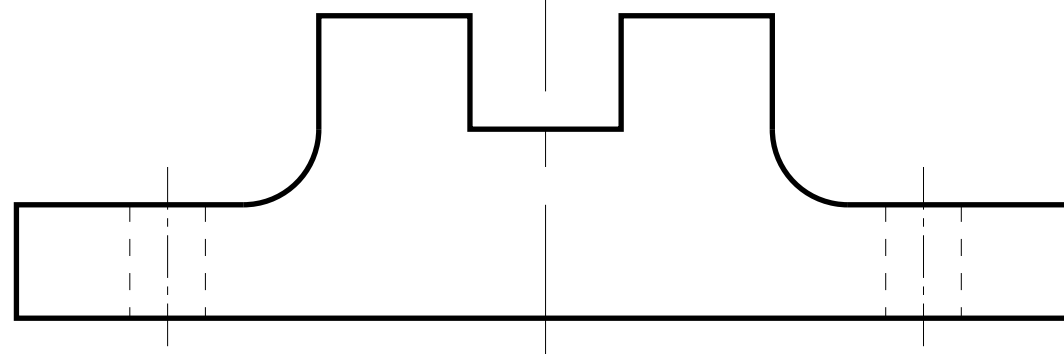
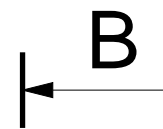
# Sectional Elevations — 1

Draw, in the suggested positions, the following views of the foot plate bracket:

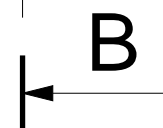
- a) End Elevation looking from the left.
- b) Sectional End Elevation on B - B.



PLAN



FRONT ELEVATION



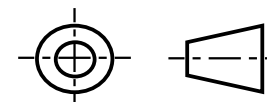
END ELEVATION

SECTIONAL END ON B-B

Name:

Class:

Date:



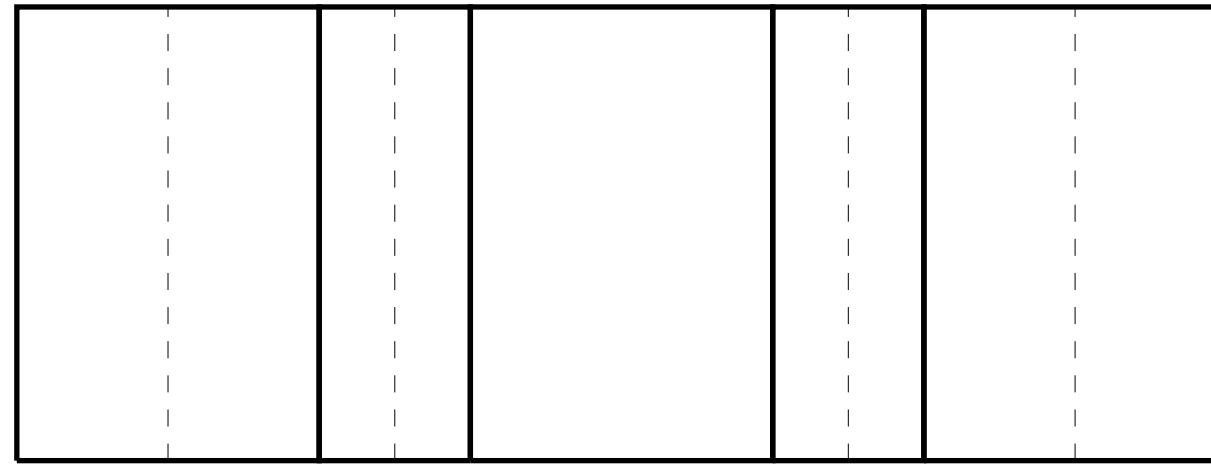
Question No:

**Sectional Elevations — 1**

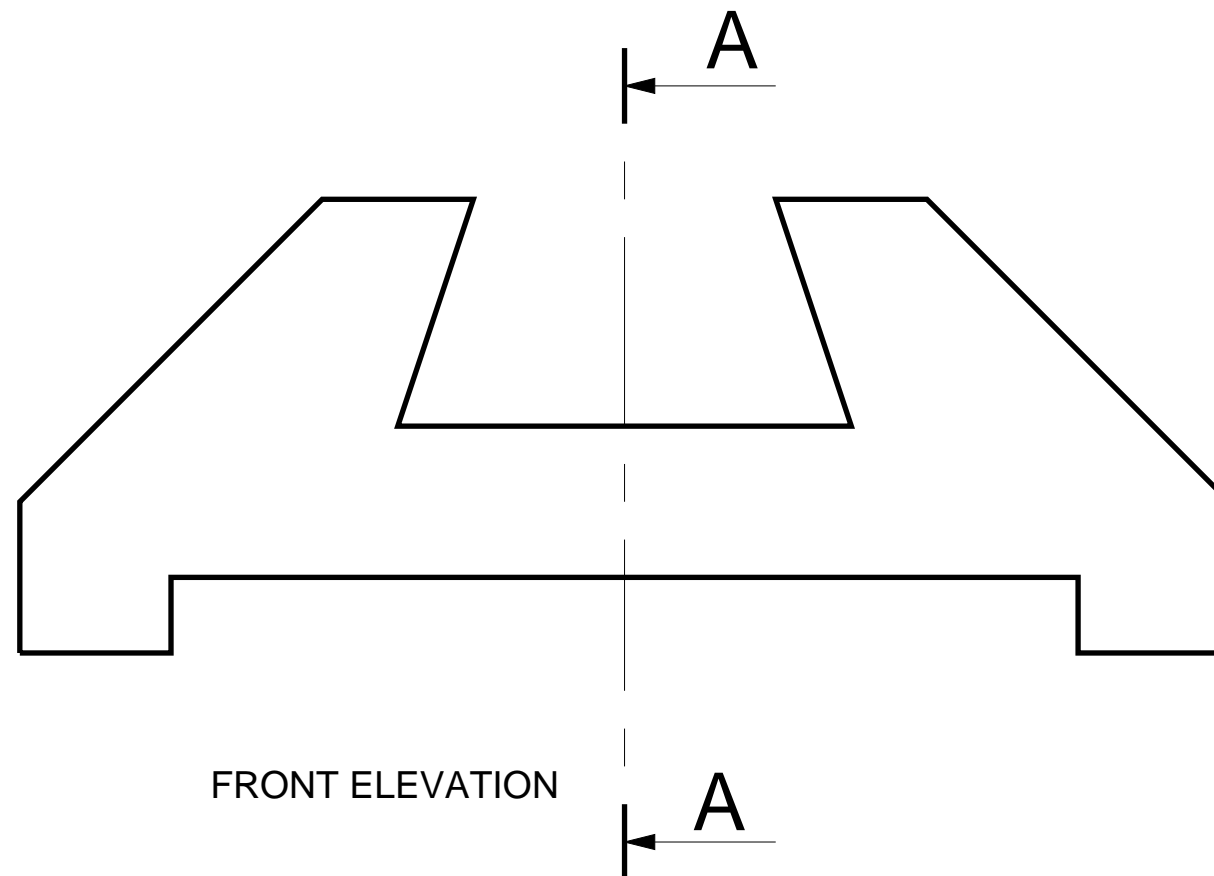
## Sectional Elevations — 2

Draw, in the suggested positions, the following views of the display-stand holder:

- a) End Elevation looking from the left.
- b) Sectional End Elevation on A - A.



PLAN



END ELEVATION

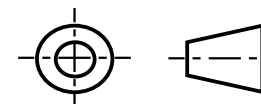
FRONT ELEVATION

SECTIONAL END  
ON A-A

Name:

Class:

Date:



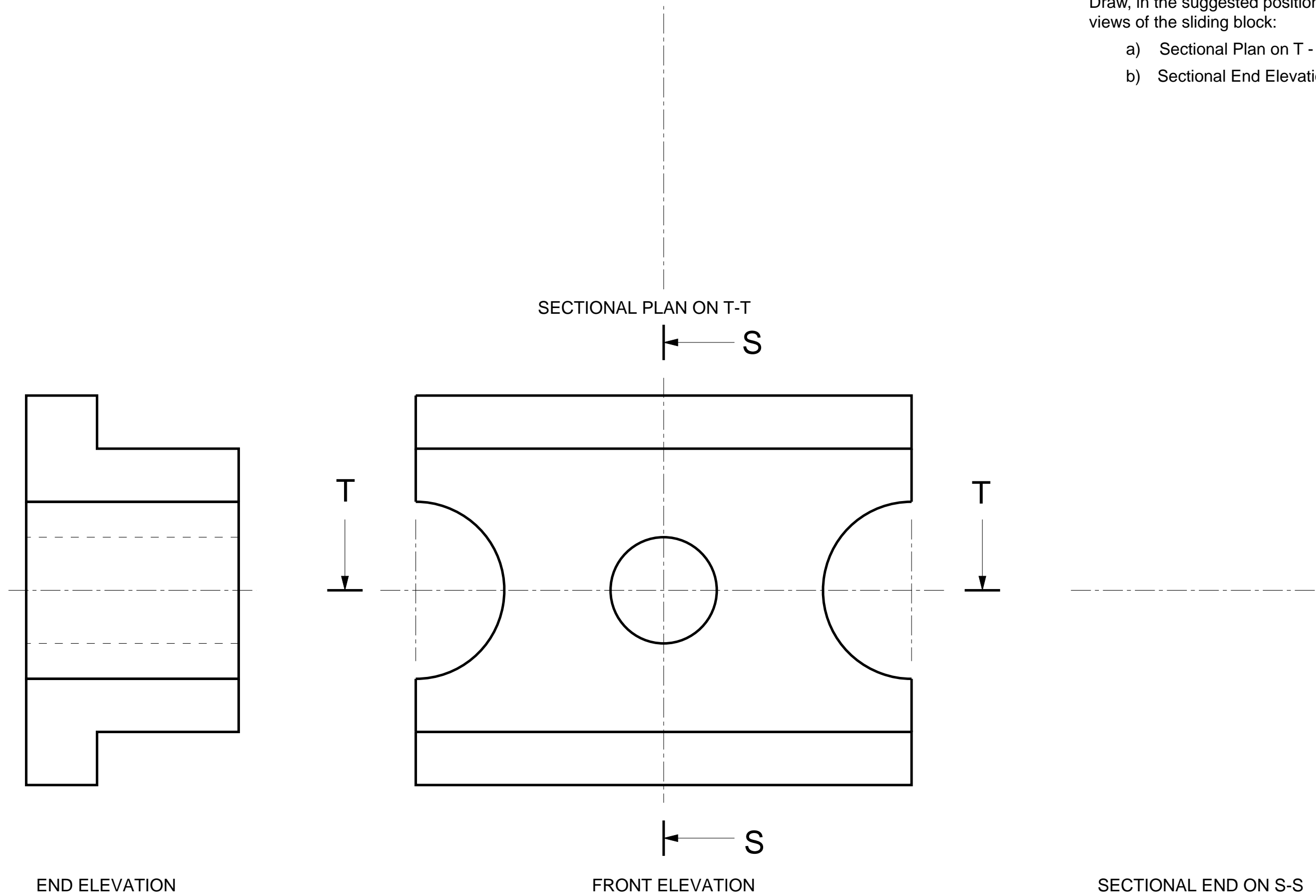
Question No:

**Sectional Elevations — 2**

### Sectional Elevations — 3

Draw, in the suggested positions, the following views of the sliding block:

- a) Sectional Plan on T - T.
- b) Sectional End Elevation on S - S.

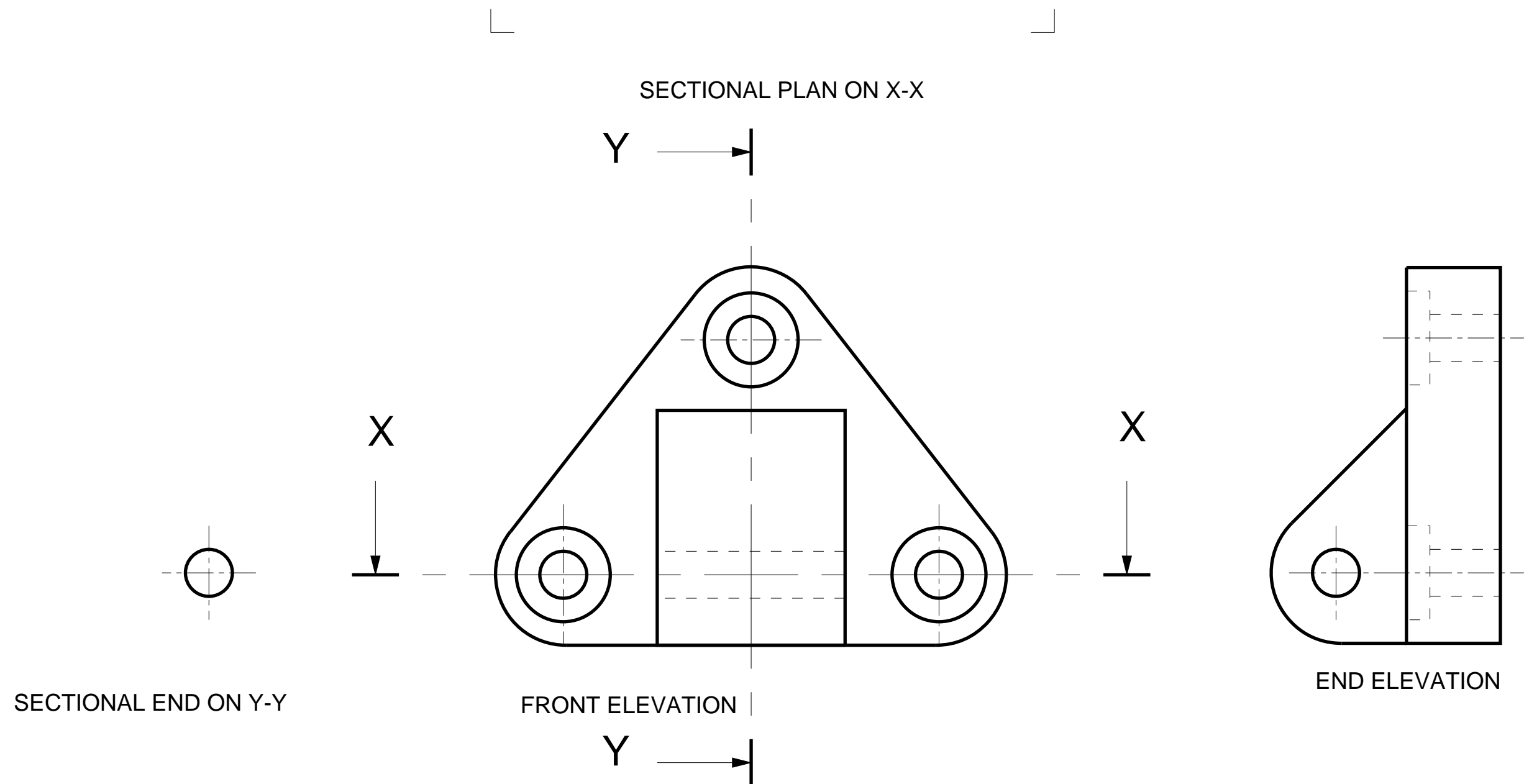


Name:	Class:	Date:		Question No: <b>Sectional Elevations — 3</b>
-------	--------	-------	--	----------------------------------------------

## Sectional Elevations — 4

Draw, in the suggested positions, the following views of the door-knocker hinge-plate

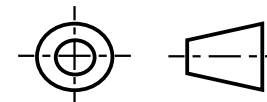
- Sectional Plan on X - X.
- Sectional End Elevation on Y - Y.



Name:

Class:

Date:



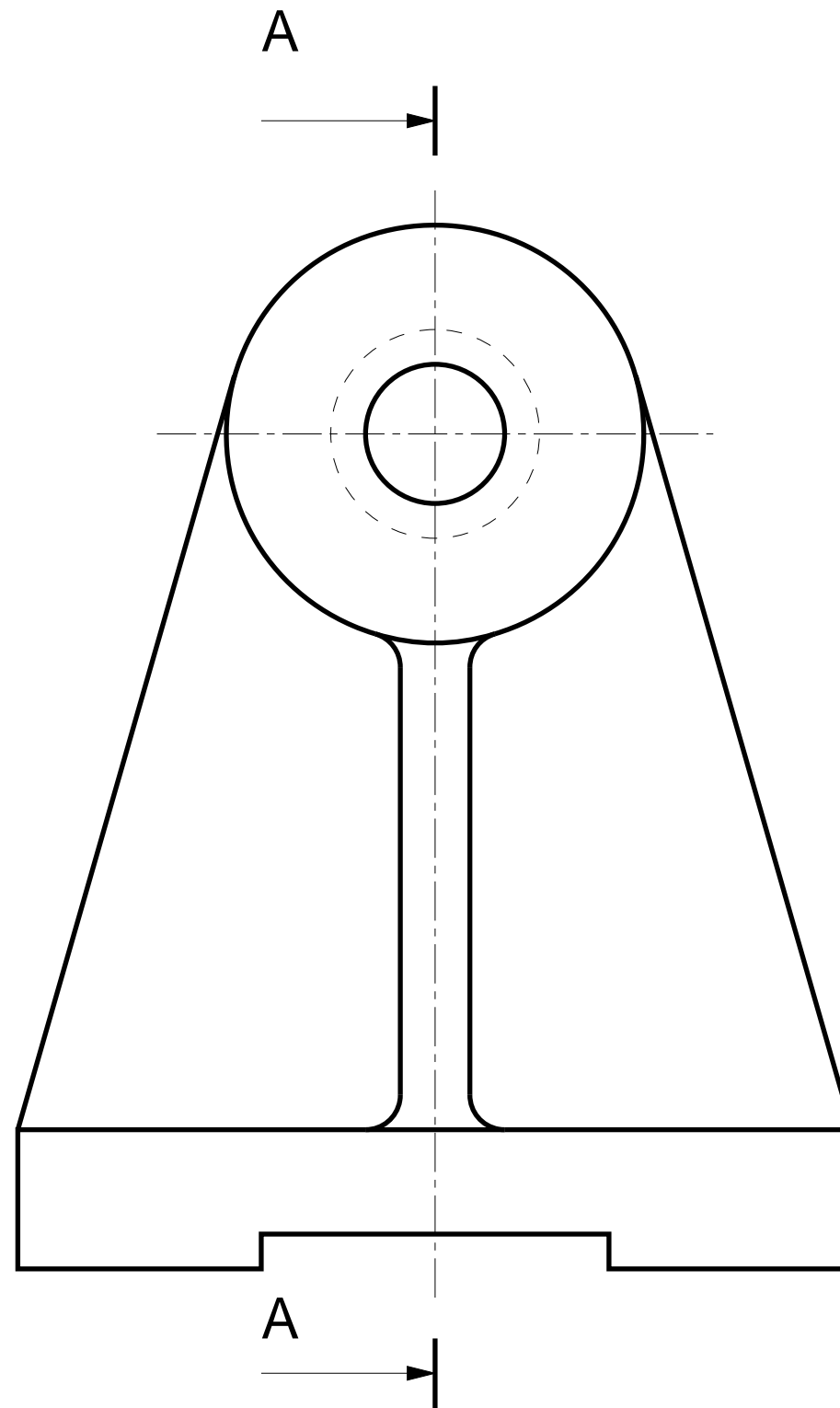
Question No:

**Sectional Elevations — 4**

## Sectional Elevations — 5

Draw, in the suggested positions, the following view of the bearing plate:

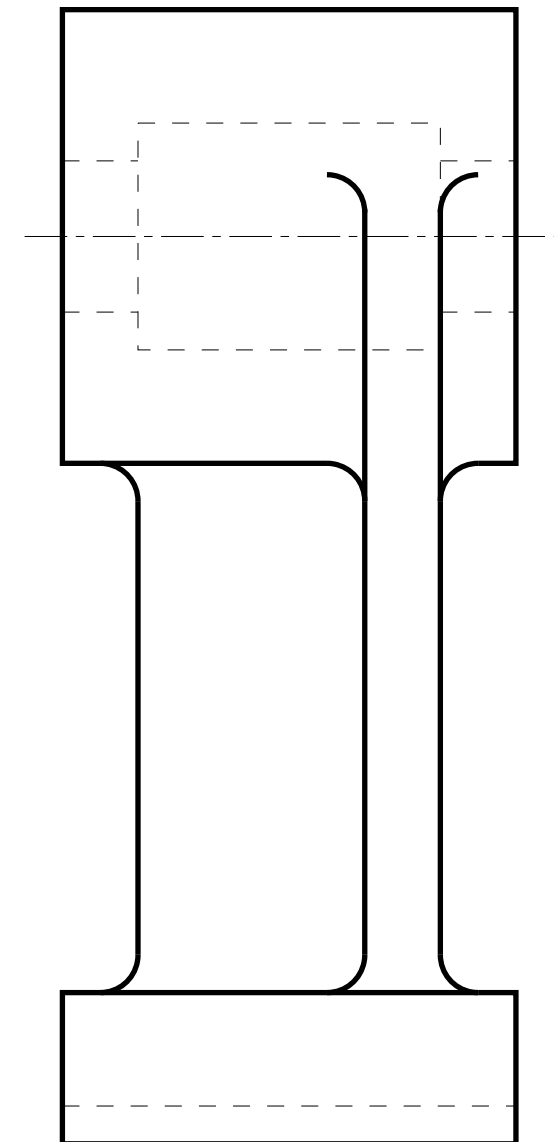
- a) Sectional End Elevation on A - A.



A



FRONT ELEVATION



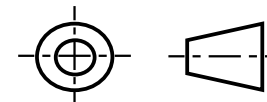
END ELEVATION

SECTIONAL END ON A-A

Name:

Class:

Date:



Question No:

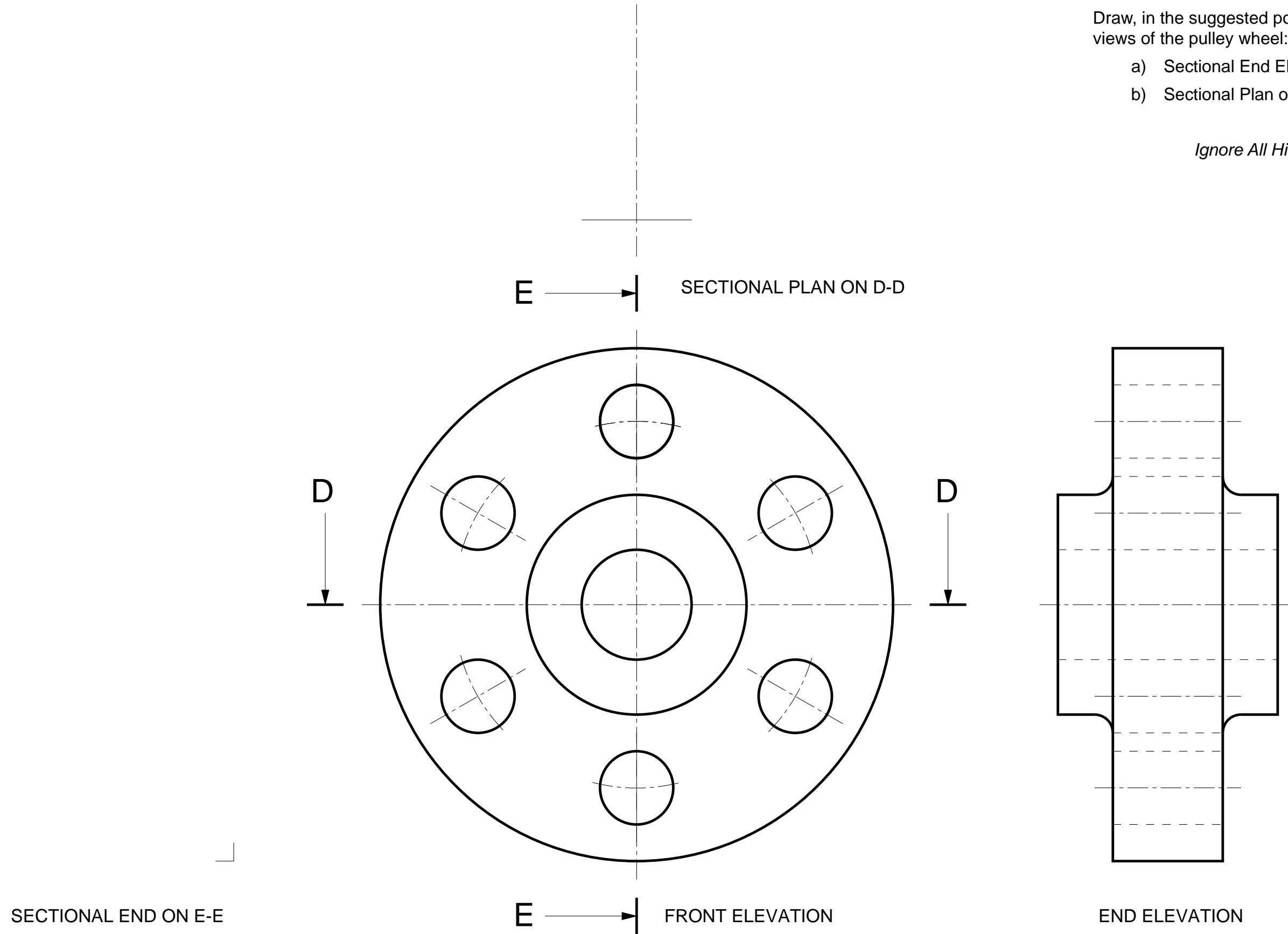
**Sectional Elevations — 5**

## Sectional Elevations — 6

Draw, in the suggested positions, the following views of the pulley wheel:

- Sectional End Elevation on E - E.
- Sectional Plan on D - D.

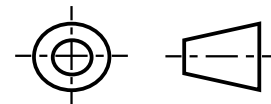
*Ignore All Hidden Details.*



Name:

Class:

Date:



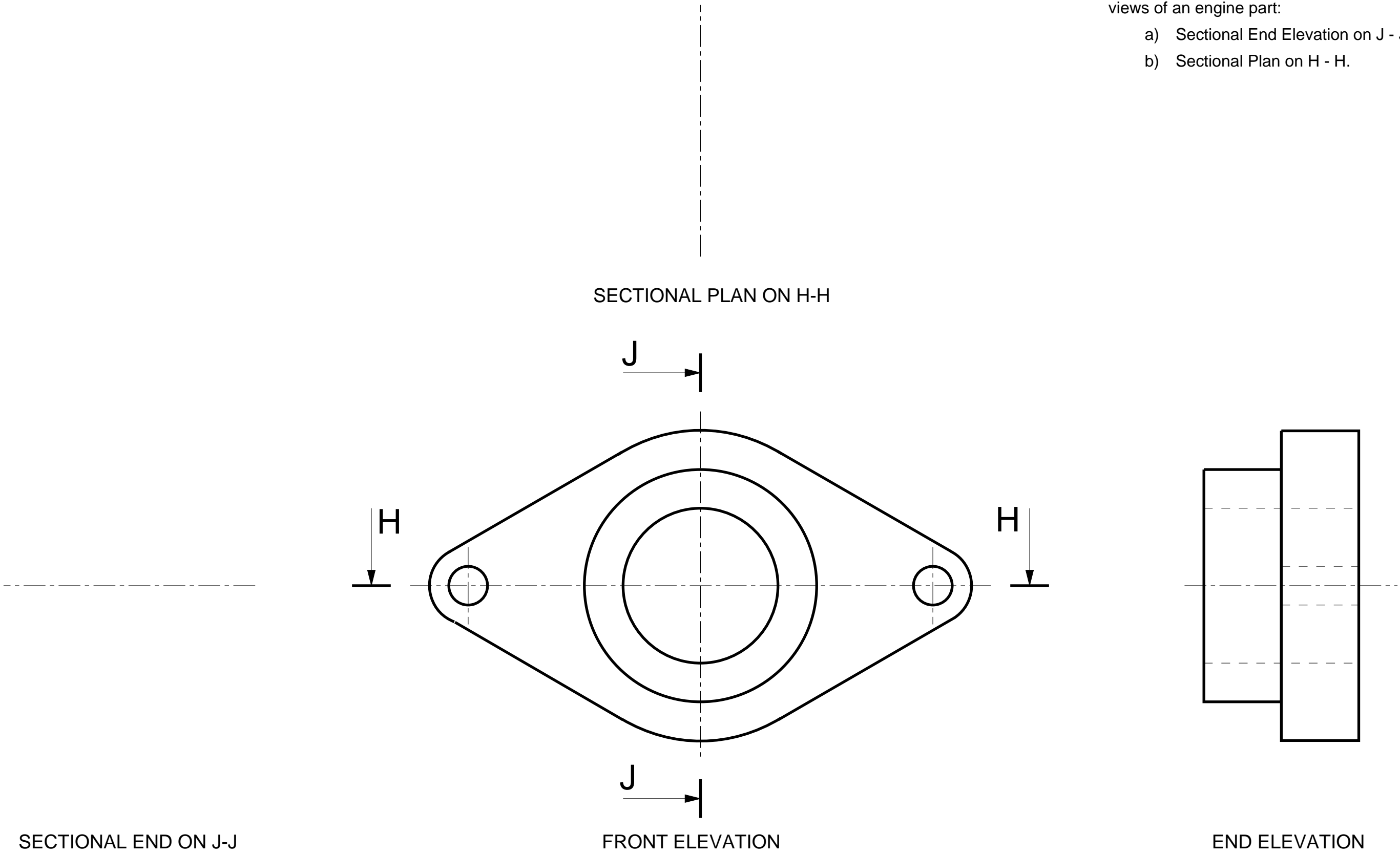
Question No:

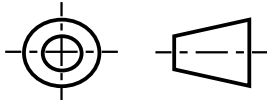
**Sectional Elevations — 6**

# Sectional Elevations — 7

Draw, in the suggested positions, the following views of an engine part:

- a) Sectional End Elevation on J - J.
- b) Sectional Plan on H - H.

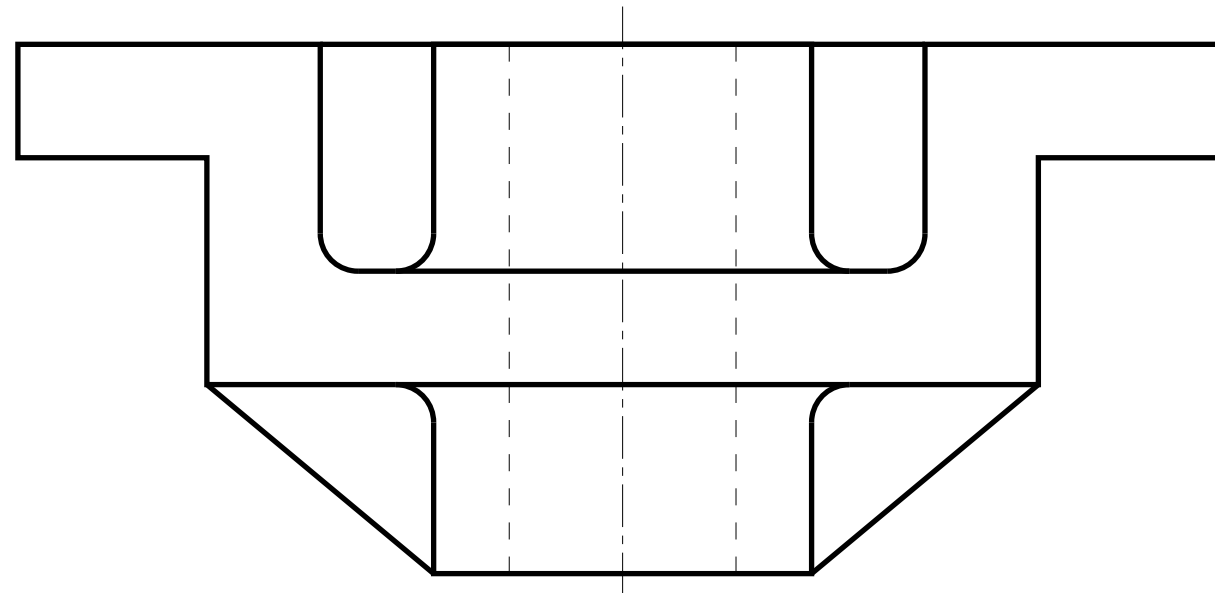


Name:	Class:	Date:		Question No:	<b>Sectional Elevations — 7</b>
-------	--------	-------	---------------------------------------------------------------------------------------	--------------	---------------------------------

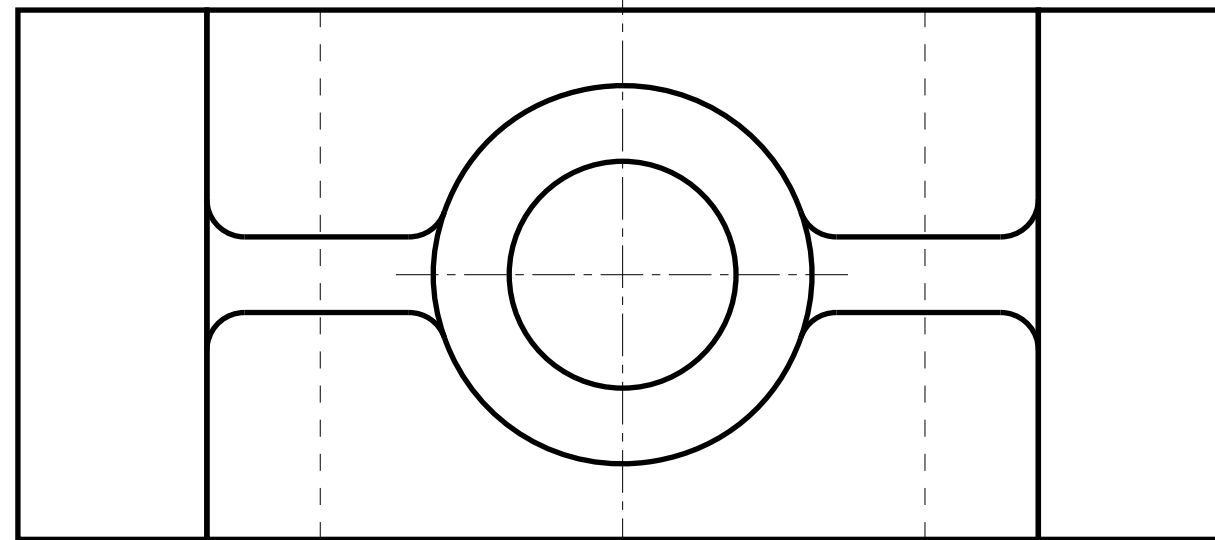
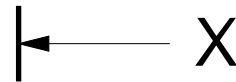
## Sectional Elevations — 8

Draw, in the suggested positions, the following views of a hinge part for a weather vane:

- End Elevation looking from the left.
- Sectional End Elevation on X - X.



PLAN



END ELEVATION

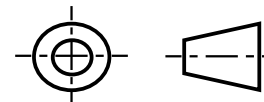
FRONT ELEVATION

SECTIONAL END ON X-X

Name:

Class:

Date:



Question No:

**Sectional Elevations — 8**