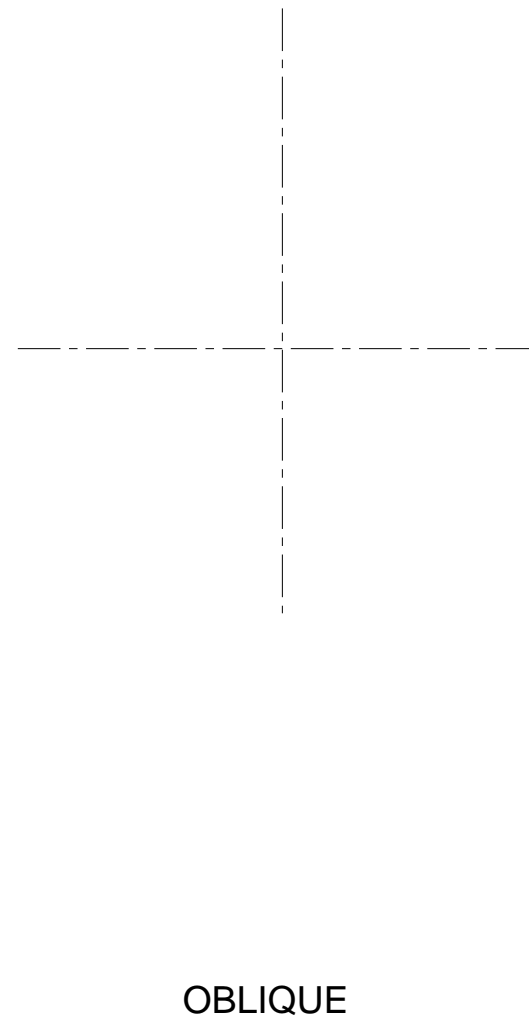
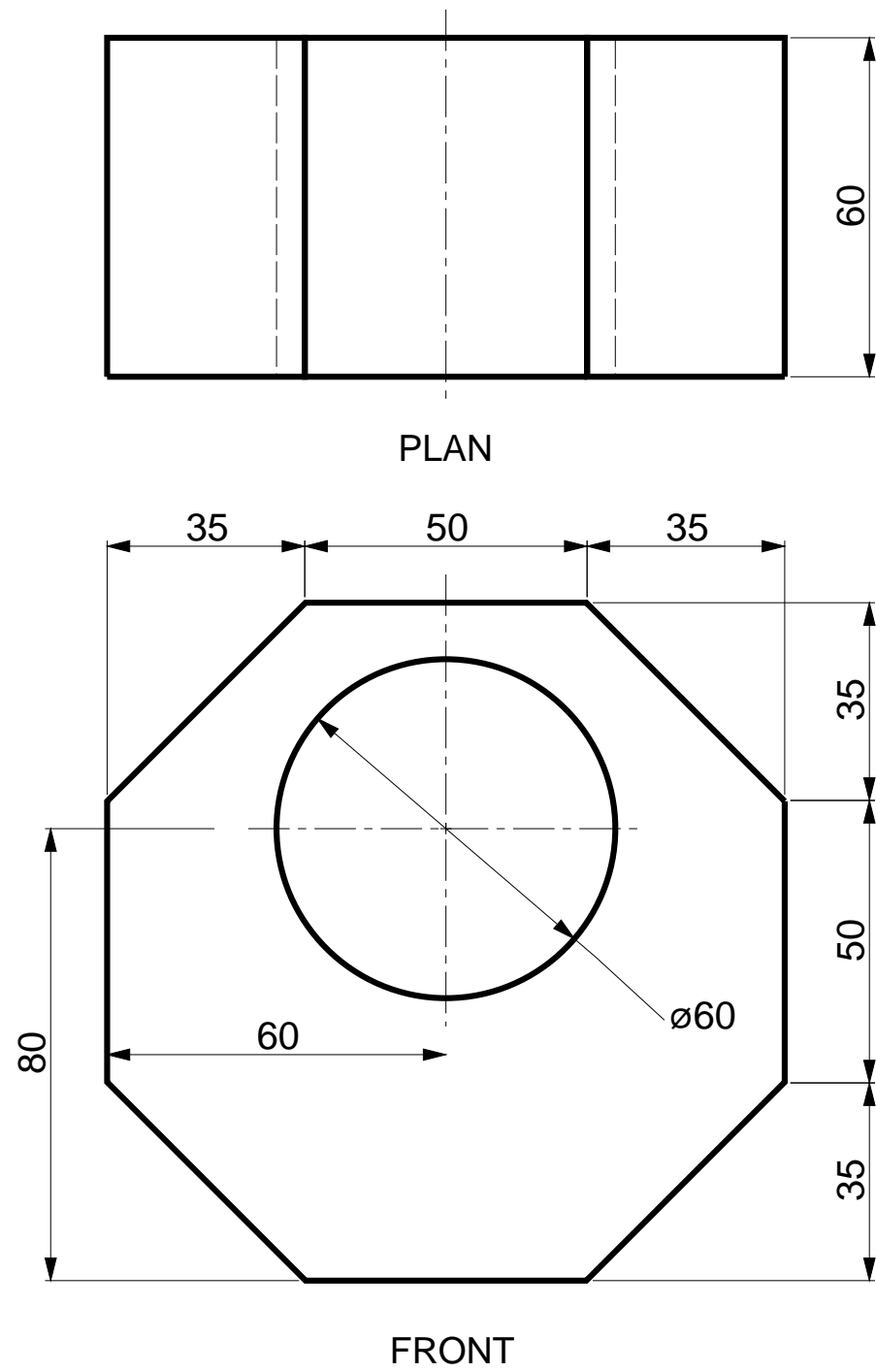


Scale: 10:1

### Oblique Projection — 1

Two scaled views of an octagonal broach are drawn to the left.

Draw, in the suggested position, an Oblique drawing of the octagonal Broach.



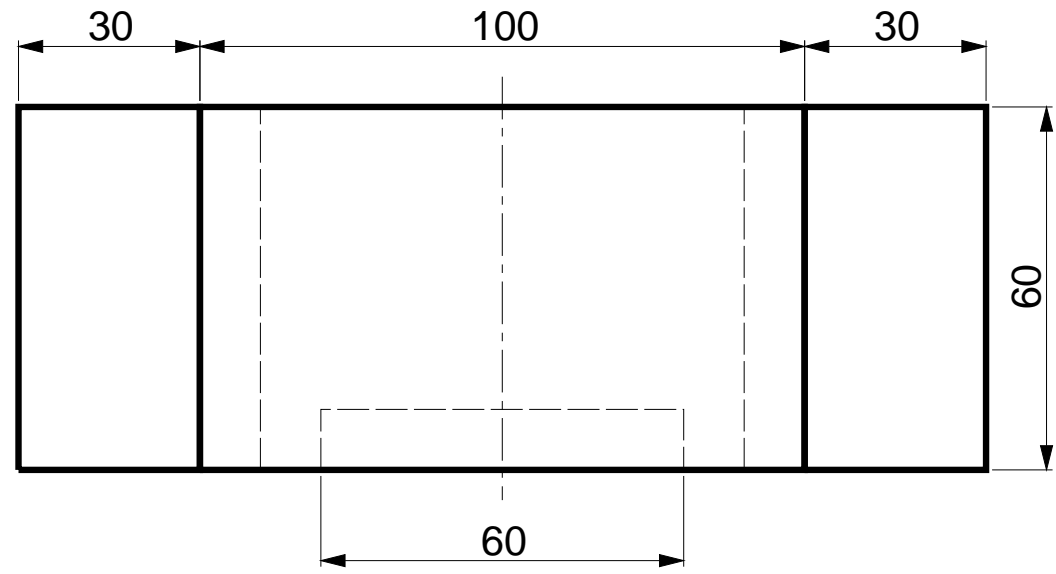
Scale: 10:1

Name:	Class:	Date:		Question No: <b>Oblique Projection — 1</b>
-------	--------	-------	--	--

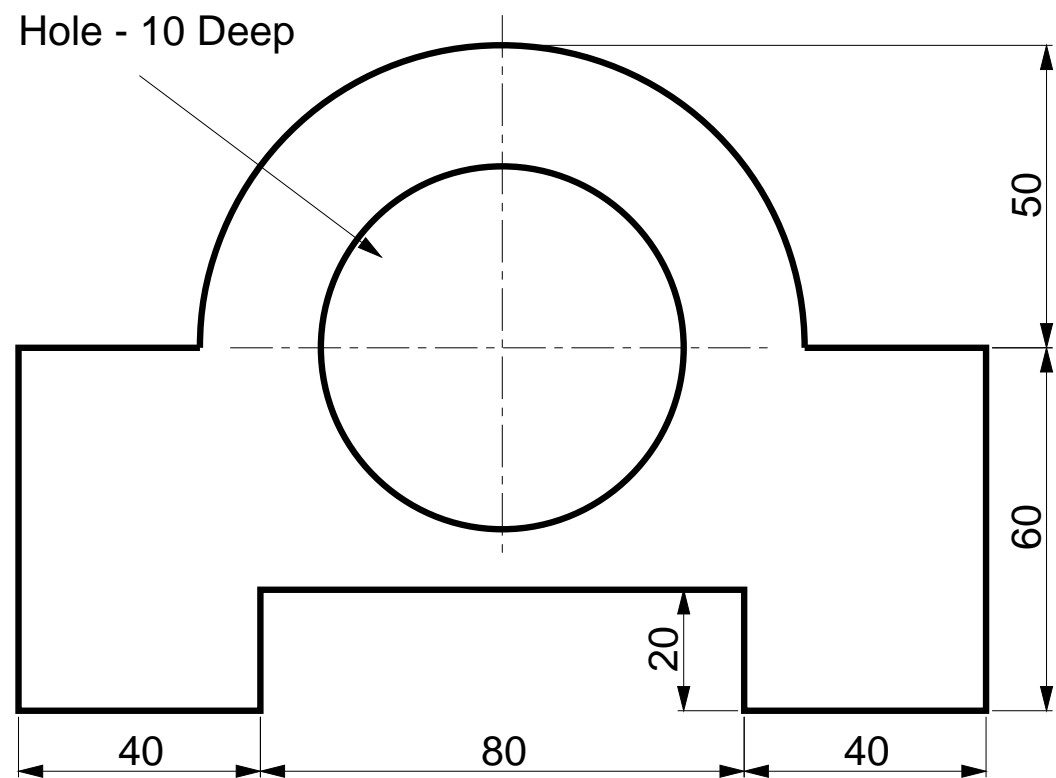
## Oblique Projection — 2

Two views of a mantelpiece clock are drawn on the left.

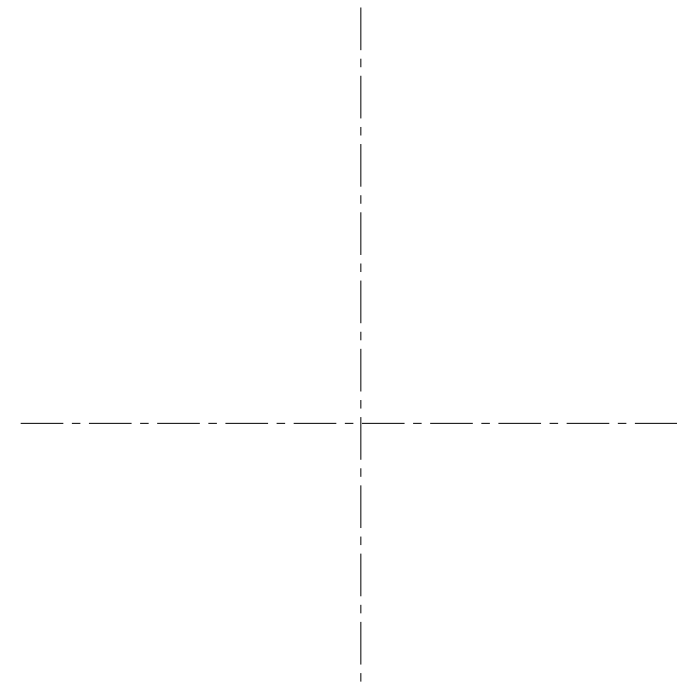
Draw, in the suggested position, an Oblique drawing of the clock.



PLAN



FRONT

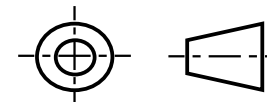


OBLIQUE

Name:

Class:

Date:

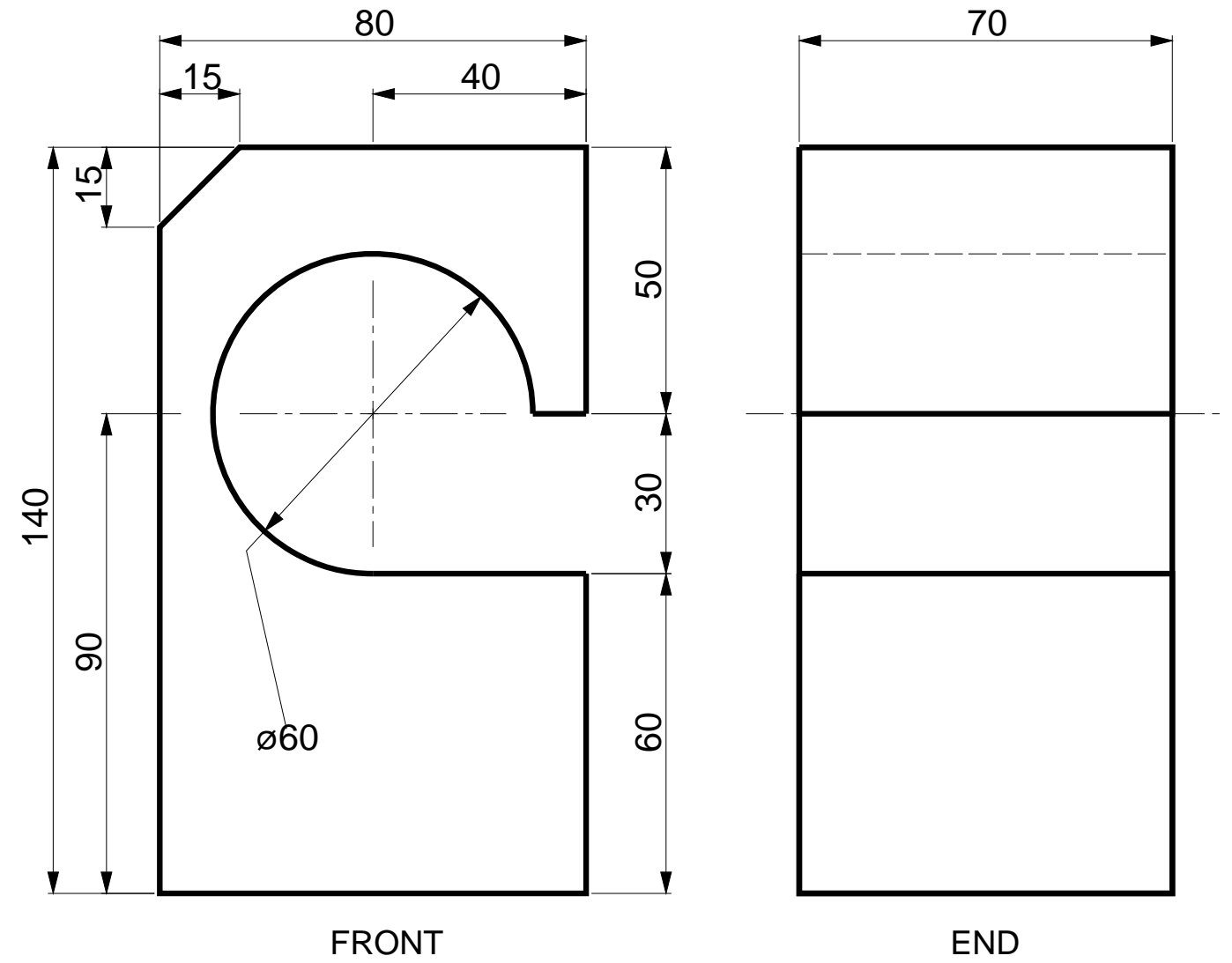


Question No:

**Oblique Projection — 2**

### Oblique Projection — 3

Two views of a part for a toy train are drawn below.  
 Draw, in the suggested position, an Oblique drawing of the train part.



OBLIQUE

FRONT

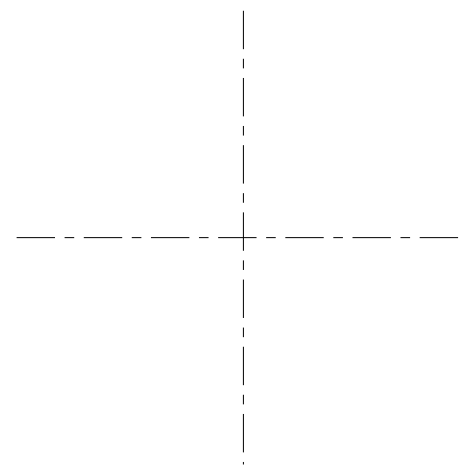
END

Name:	Class:	Date:		Question No: <b>Oblique Projection — 3</b>
-------	--------	-------	--	--

## Oblique Projection — 4

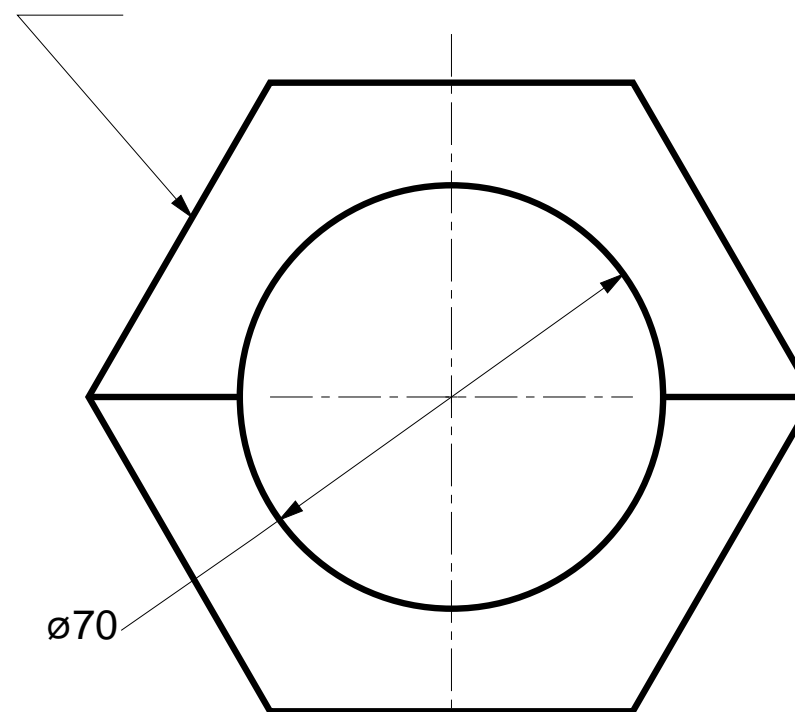
Two views of a part for a spoon holder are drawn below.

Draw, in the suggested position, an Oblique drawing of the holder.

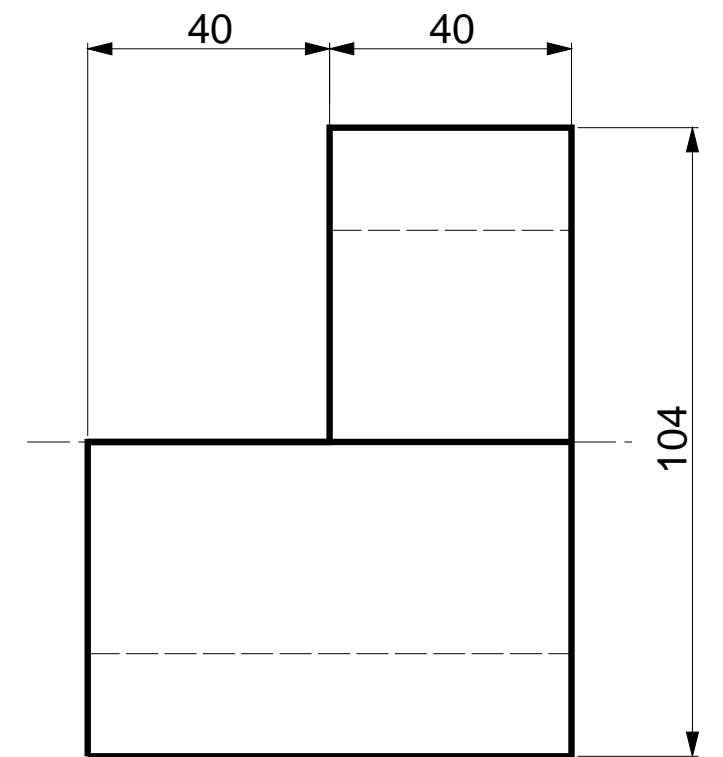


OBLIQUE

Hex - 120 A/C



FRONT

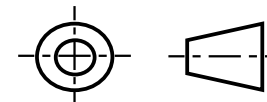


END

Name:

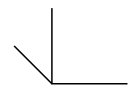
Class:

Date:

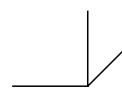


Question No:

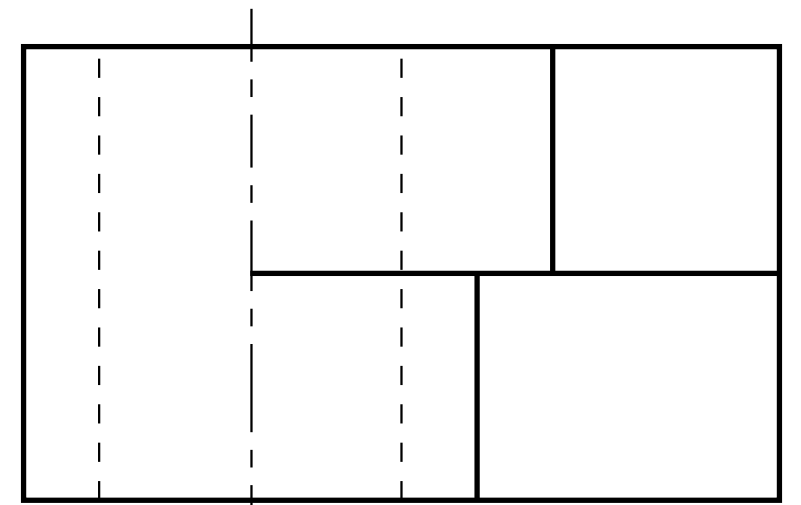
**Oblique Projection — 4**



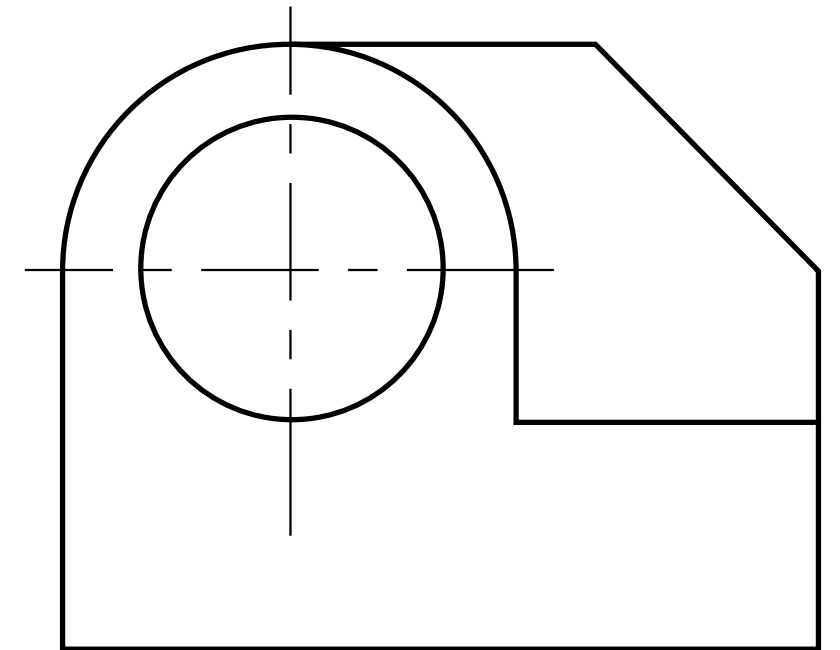
OBLIQUE VIEW (To Left)



OBLIQUE VIEW (To Right)



PLAN VIEW

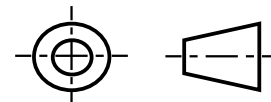


FRONT ELEVATION

Name:

Class:

Date:



Question No:

**Oblique Projection — 5**