

Isometric Views — 1

— Brick Wall

The front and end views of a brick are shown above together with a representation of the completed wall.

Draw, in the suggested position, an isometric view of part of a garden wall made from two bricks along and a single one on top, as demonstrated above.

Ignore any hidden lines in your isometric view.

ISOMETRIC VIEW
X

| | | | | |
|-------|--------|-------|--|--|
| Name: | Class: | Date: | | Question No: Isometric Views — 1 |
|-------|--------|-------|--|--|

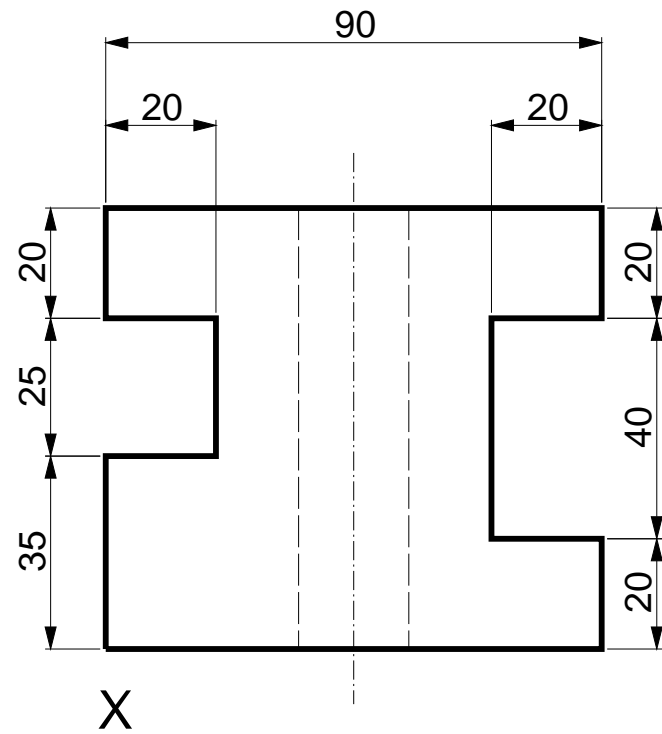
Isometric Views — 2

— Machine Clamp

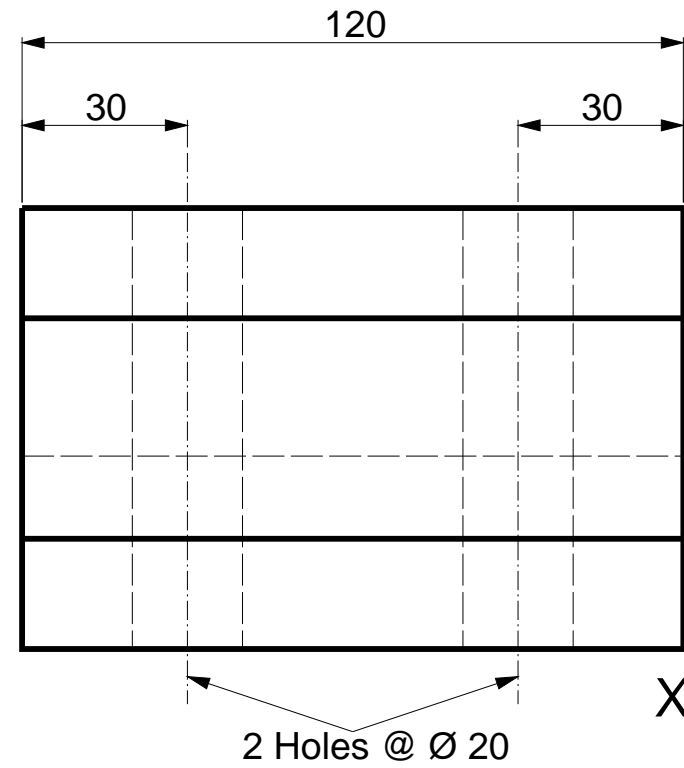
The front and end views of a machine clamp are shown above.

Draw, in the suggested position, the isometric view of the clamp.

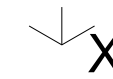
ISOMETRIC VIEW



END ELEVATION



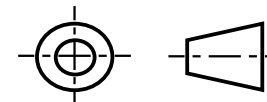
FRONT ELEVATION



Name:

Class:

Date:



Question No:

Isometric Views — 2

Isometric Views — 3

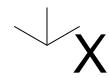
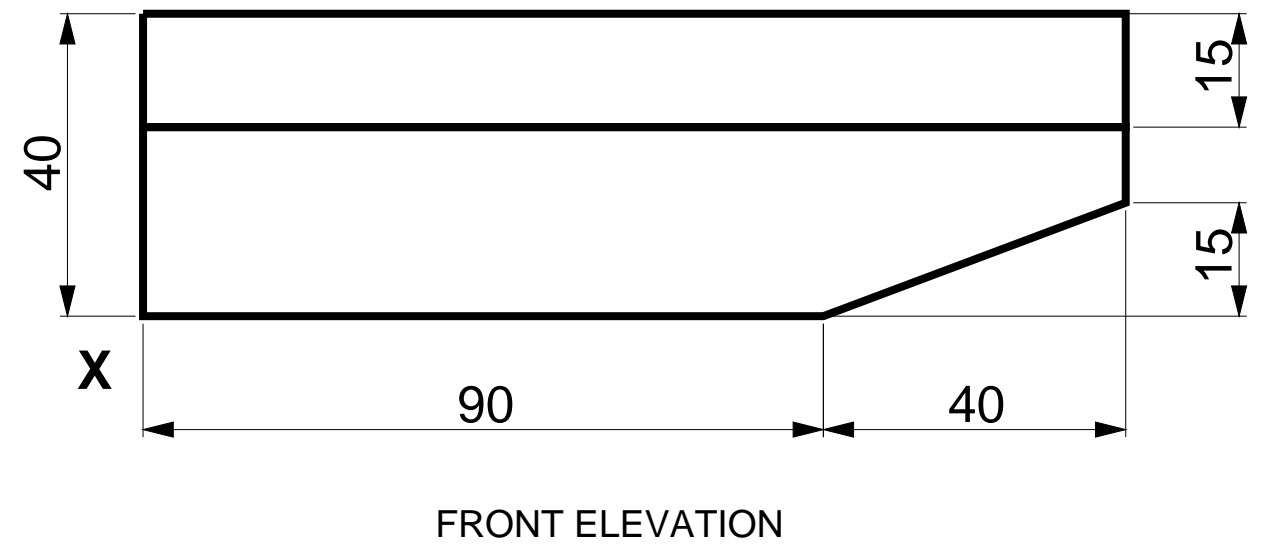
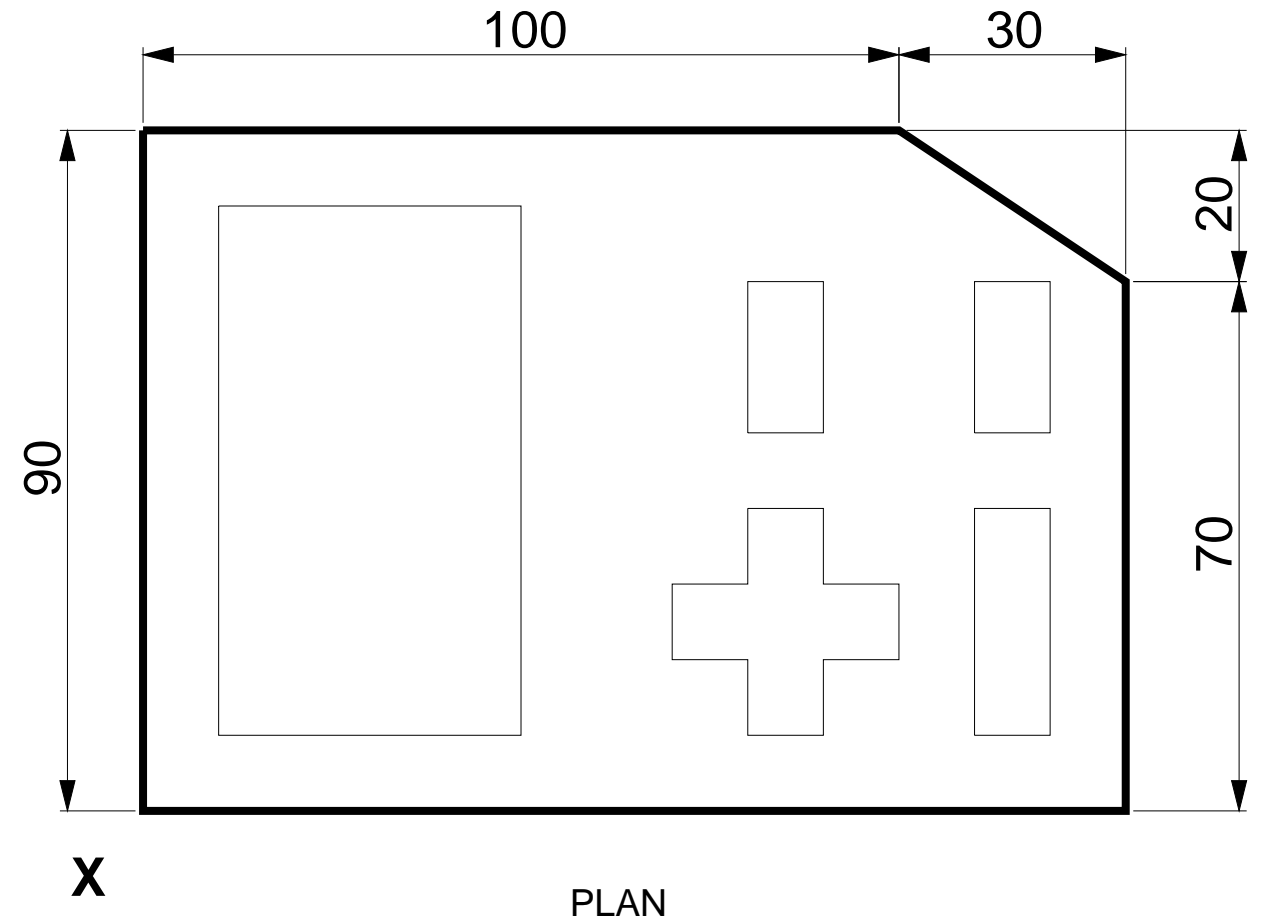
— Games Console

The front and plan views of a hand-held games console, made from two parts, are drawn on the right.

Draw, in the suggested position, the isometric view of the games console.

Add the screen and buttons using suitable sizes.

ISOMETRIC VIEW



| | | | | | |
|-------|--------|-------|--|--------------|----------------------------|
| Name: | Class: | Date: | | Question No: | Isometric Views — 3 |
|-------|--------|-------|--|--------------|----------------------------|

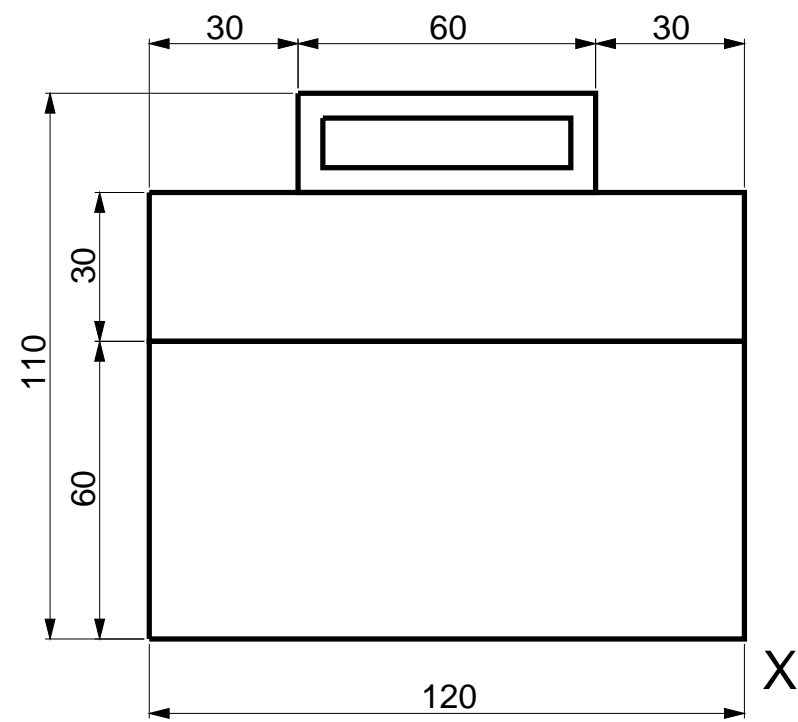
Isometric Views — 4

— Tool Box

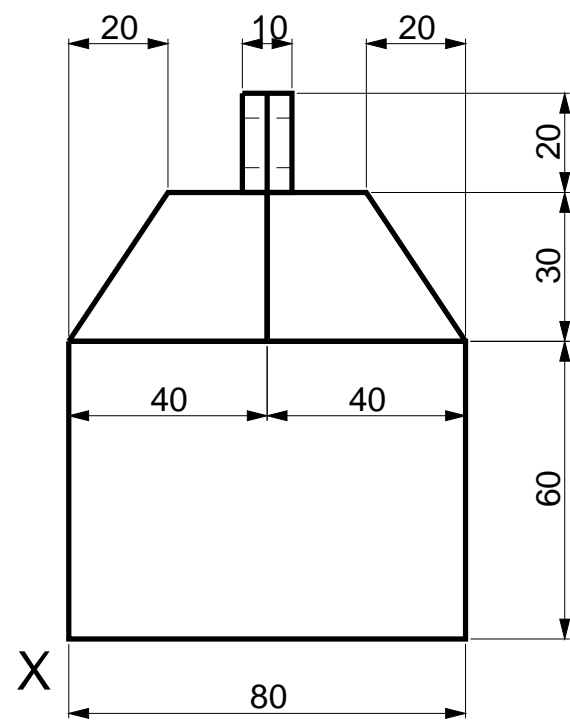
ISOMETRIC VIEW

The front and end views of a tool box are drawn below.

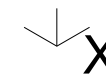
Draw, in the suggested position, the isometric view of the tool box.



FRONT ELEVATION



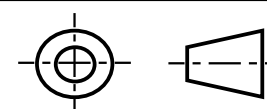
END ELEVATION



Name:

Class:

Date:



Question No:

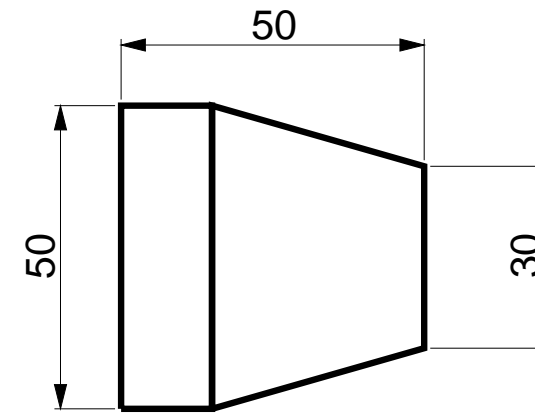
Isometric Views — 4

Isometric Views — 5

— Fire Alarm Cover

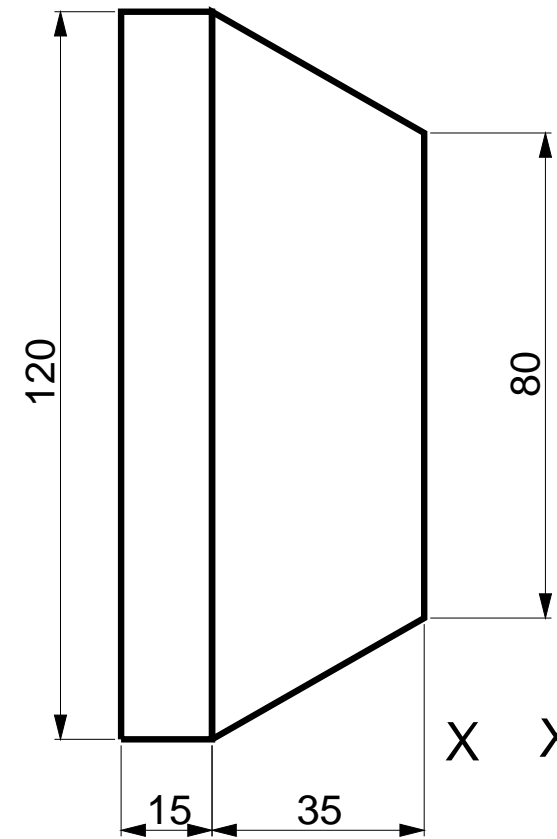
The front, end and plan views of a fire alarm cover are drawn on the right.

Draw, in the suggested position, the isometric view of the alarm cover.

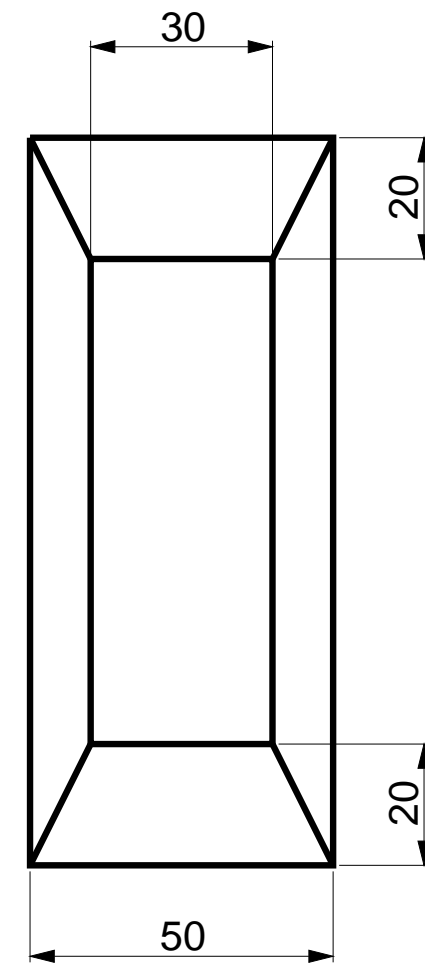


PLAN

ISOMETRIC VIEW



FRONT ELEVATION



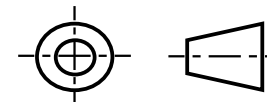
END ELEVATION

X

Name:

Class:

Date:



Question No:

Isometric Views — 5

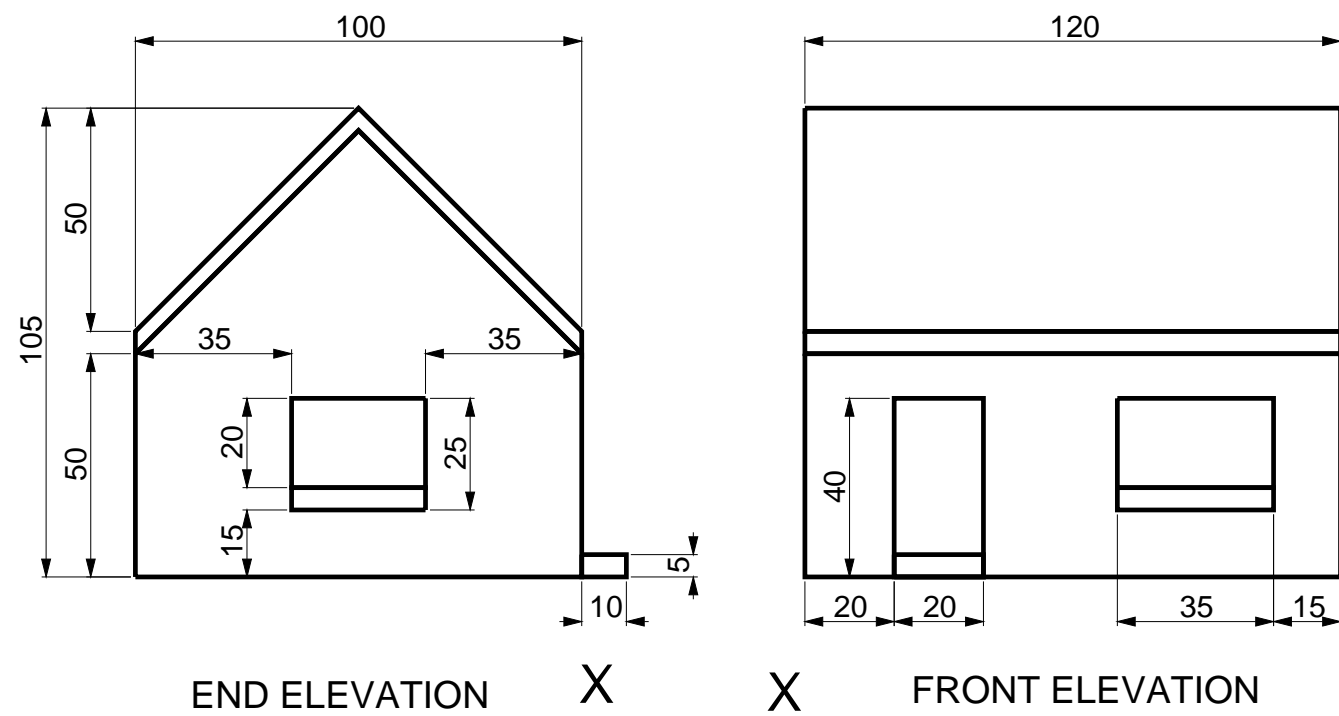
Isometric Views — 6

— Toy Cottage

The front and end views of a toy cottage are drawn below.

Draw, in the suggested position, the isometric view of the cottage.

ISOMETRIC VIEW



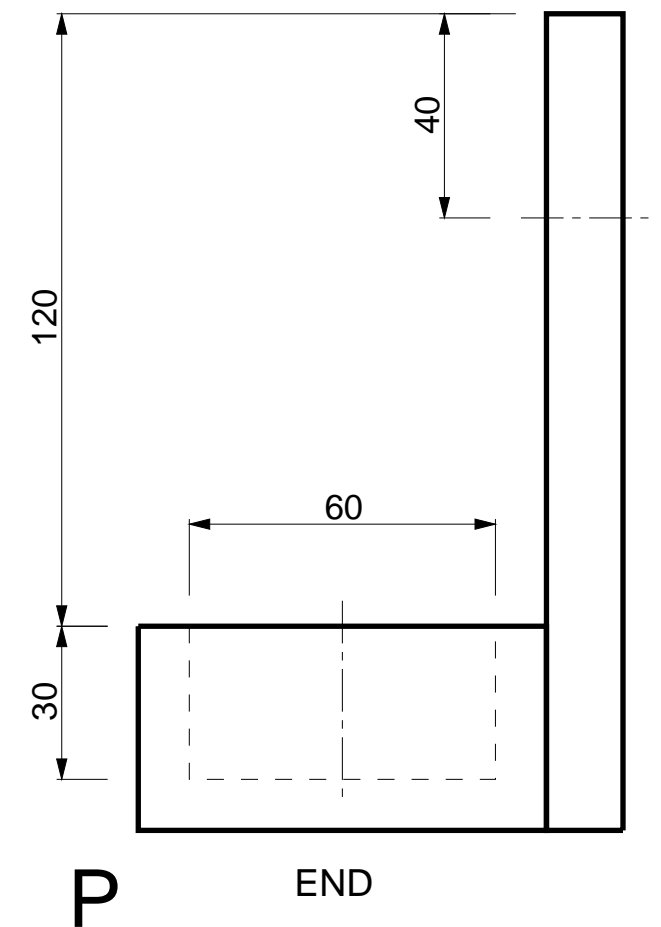
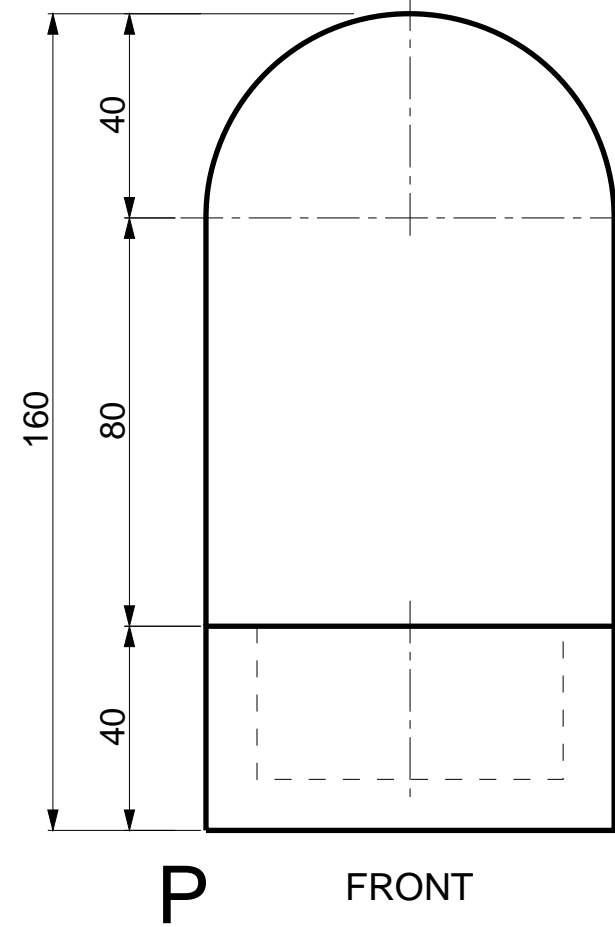
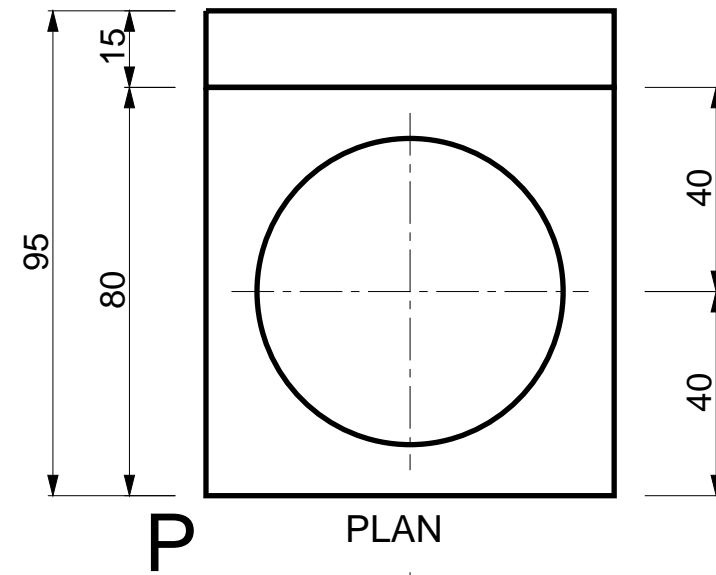
| | | | | |
|-------|--------|-------|--|--|
| Name: | Class: | Date: | | Question No: Isometric Views — 6 |
|-------|--------|-------|--|--|

Isometric Views — 7

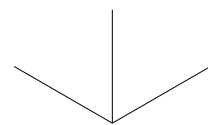
— Candle Holder

The front, end and plan views of a candle holder are drawn below.

Draw, in the suggested position, the isometric view of the candle holder.



ISOMETRIC



P

| | | | | |
|-------|--------|-------|--|--|
| Name: | Class: | Date: | | Question No: Isometric Views — 7 |
|-------|--------|-------|--|--|

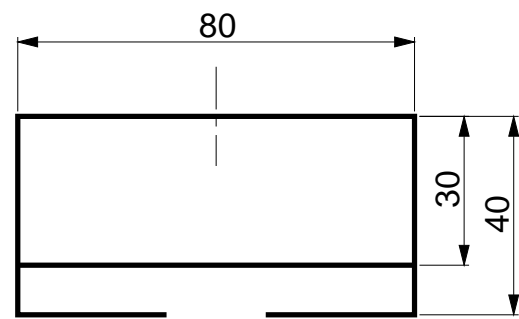
Isometric Views — 8

— Mouse Holder

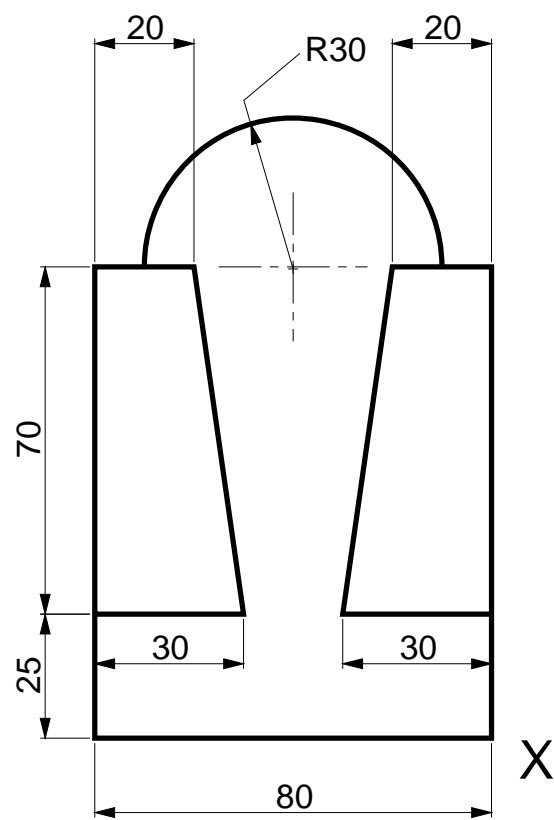
The front, end and plan views of a mouse holder are drawn below.

Draw, in the suggested position, the isometric view of the mouse holder.

ISOMETRIC VIEW

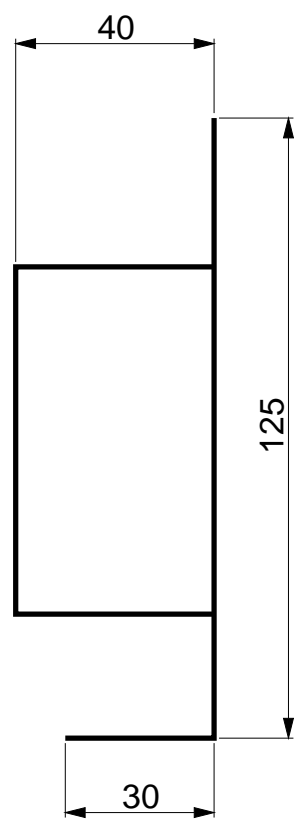


PLAN



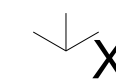
FRONT ELEVATION

X



X

END ELEVATION



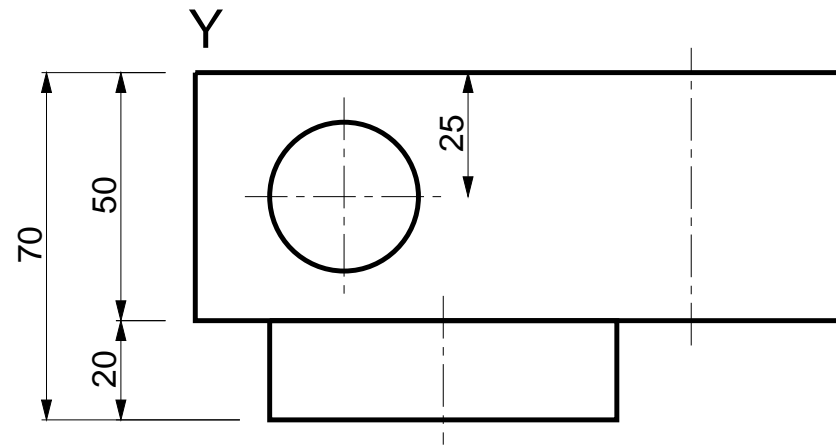
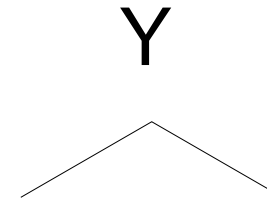
| | | | | |
|-------|--------|-------|--|--|
| Name: | Class: | Date: | | Question No: Isometric Views — 8 |
|-------|--------|-------|--|--|

Isometric Views — 9

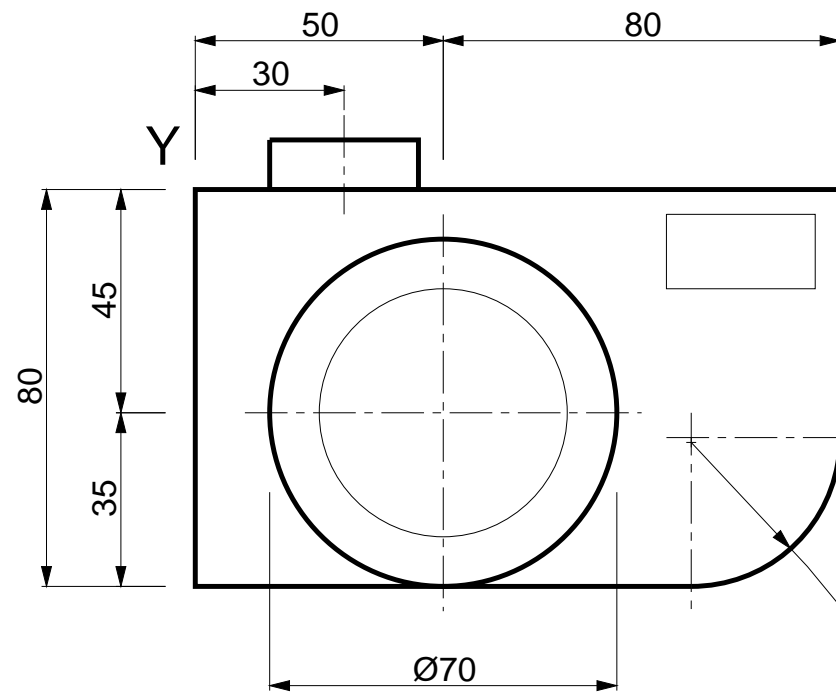
— Toy Camera

The front and plan views of a Toy Camera are drawn below.

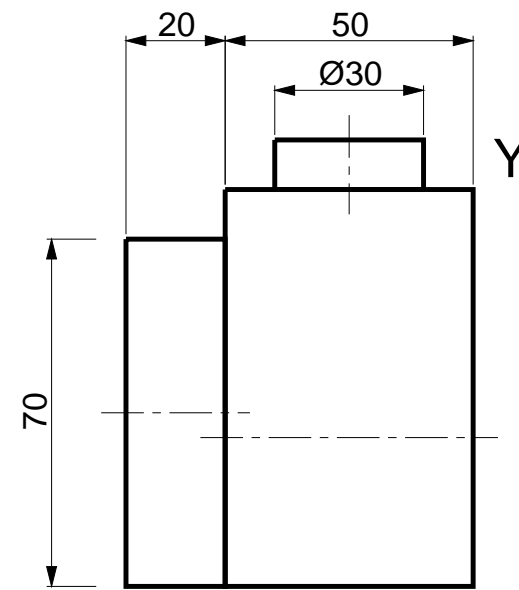
Draw, in the suggested position, the isometric view of the camera.



PLAN



FRONT ELEVATION



END ELEVATION

ISOMETRIC

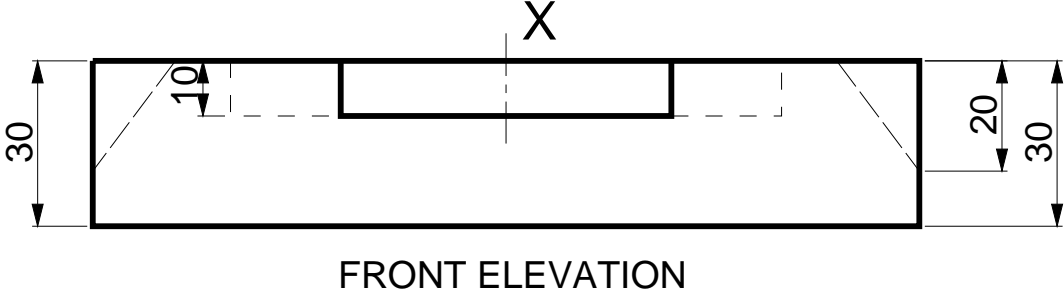
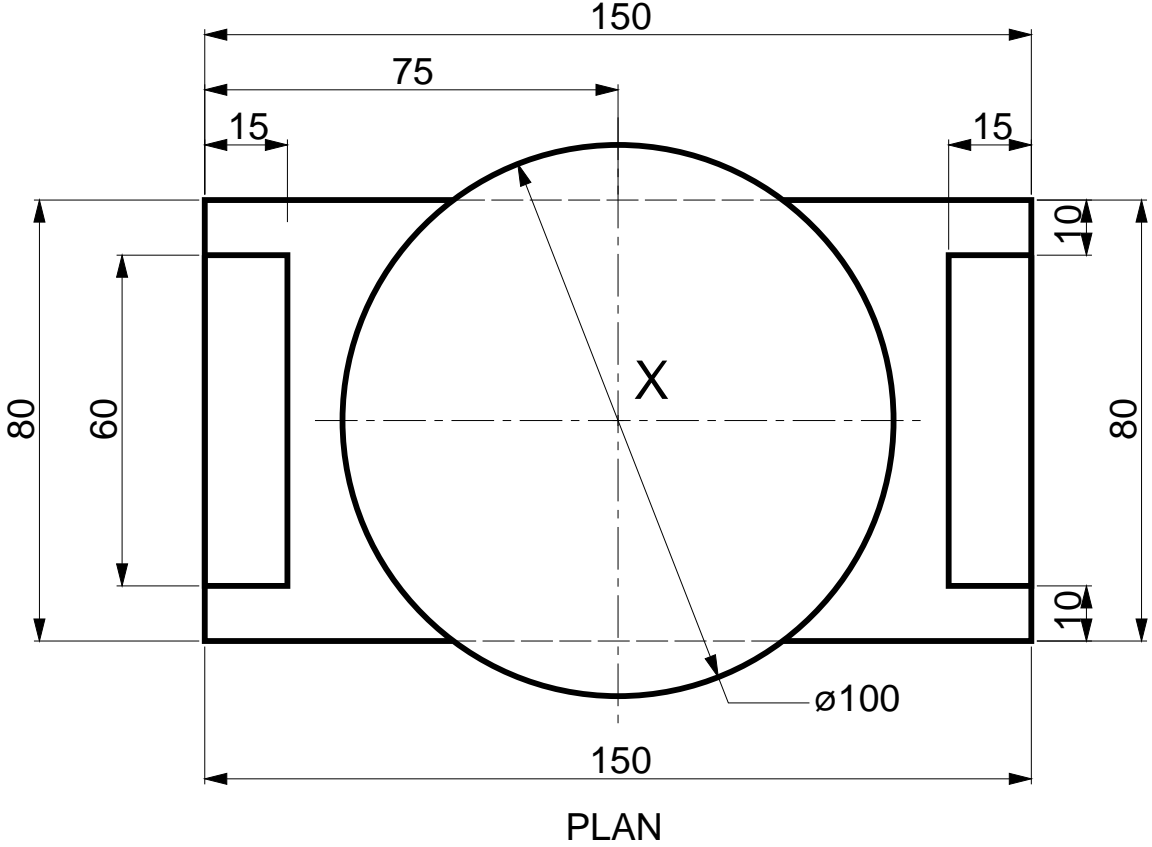
| | | | | |
|-------|--------|-------|--|--|
| Name: | Class: | Date: | | Question No: Isometric Views — 9 |
|-------|--------|-------|--|--|

Isometric Views — 10

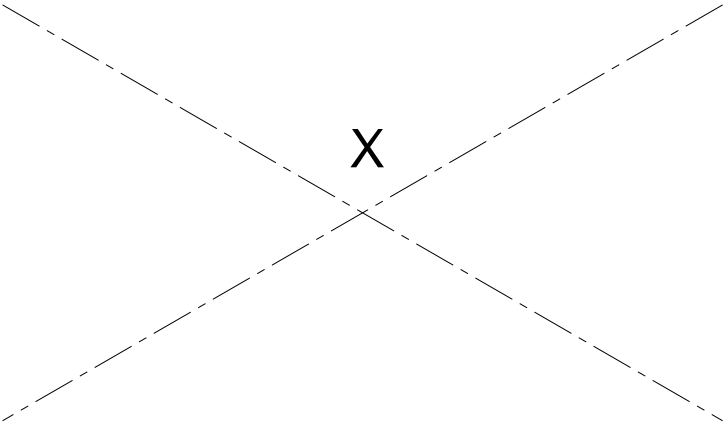
— CD Player

The front and plan views of a CD player are drawn below.

Draw, in the suggested position, the isometric view of the CD player.



ISOMETRIC VIEW



| | | | | |
|-------|--------|-------|--|---|
| Name: | Class: | Date: | | Question No: Isometric Views — 10 |
|-------|--------|-------|--|---|