

PLAN

### Orthographic Views — 1

#### — Garden Shed

Draw, in the suggested positions, the following views of the garden shed:

- a) Front Elevation looking from the direction shown by the arrow.
- b) End Elevation looking from the right.
- c) Plan.

FRONT ELEVATION

END ELEVATION

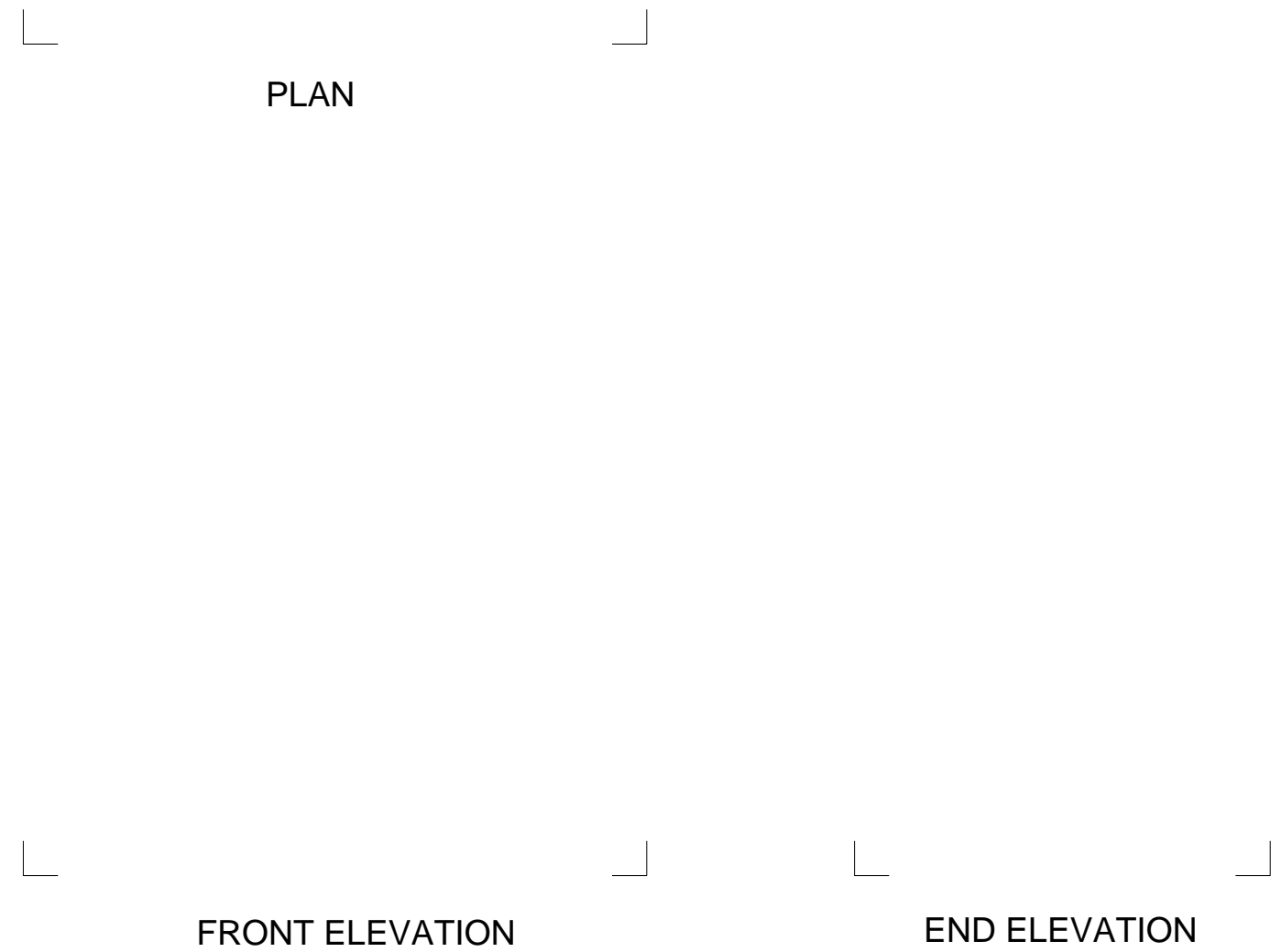
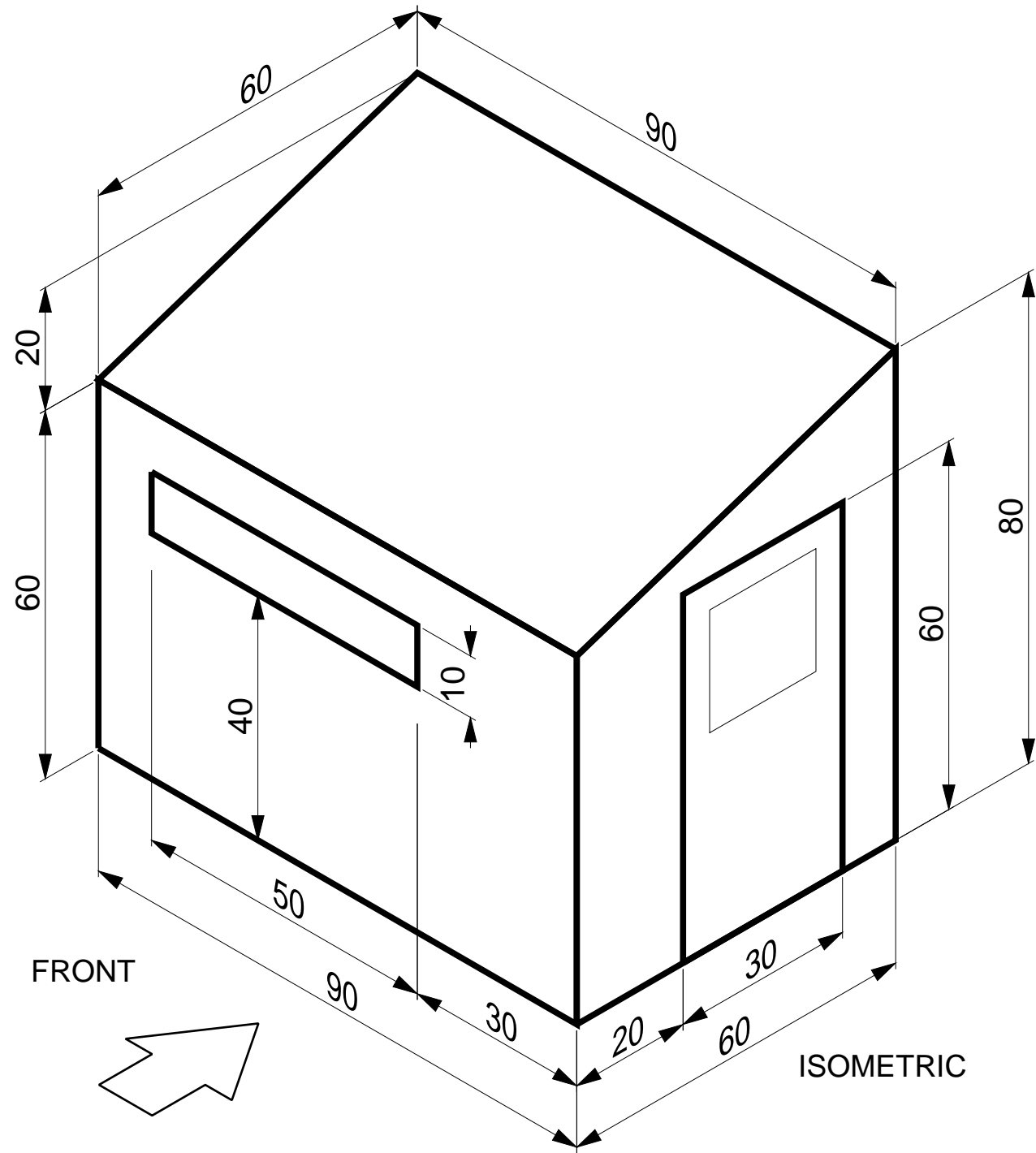
Name:	Class:	Date:		Question No:
				<b>Orthographic Views — 1</b>

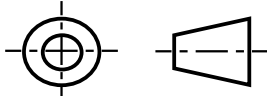
# Orthographic Views — 2

## — Lean-to Shed

Draw, in the suggested positions, the following views of the shed:

- a) Front Elevation looking from the direction shown by the arrow.
- b) End Elevation looking from the right.
- c) Plan.



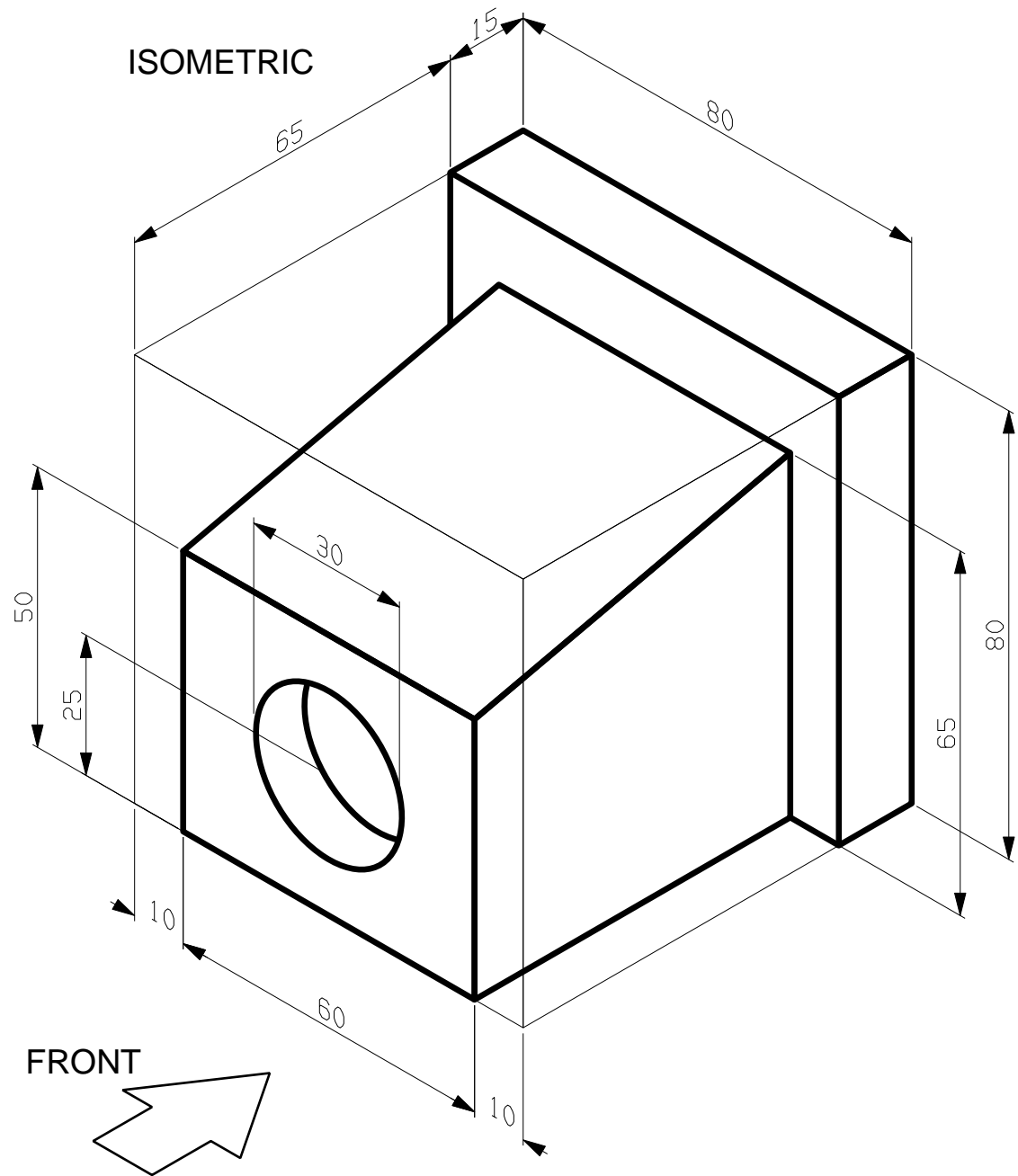
Name:	Class:	Date:		Question No:	<b>Orthographic Views — 2</b>
-------	--------	-------	---	--------------	-------------------------------

# Orthographic Views — 3

## — Bird Nesting Box

Draw, in the suggested positions, the following views of the bird box:

- a) Front Elevation looking from the direction shown by the arrow.
- b) End Elevation looking from the right.
- c) Plan.



PLAN



FRONT ELEVATION

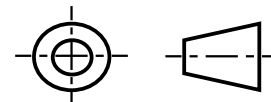


END ELEVATION

Name:

Class:

Date:



Question No:

**Orthographic Views — 3**

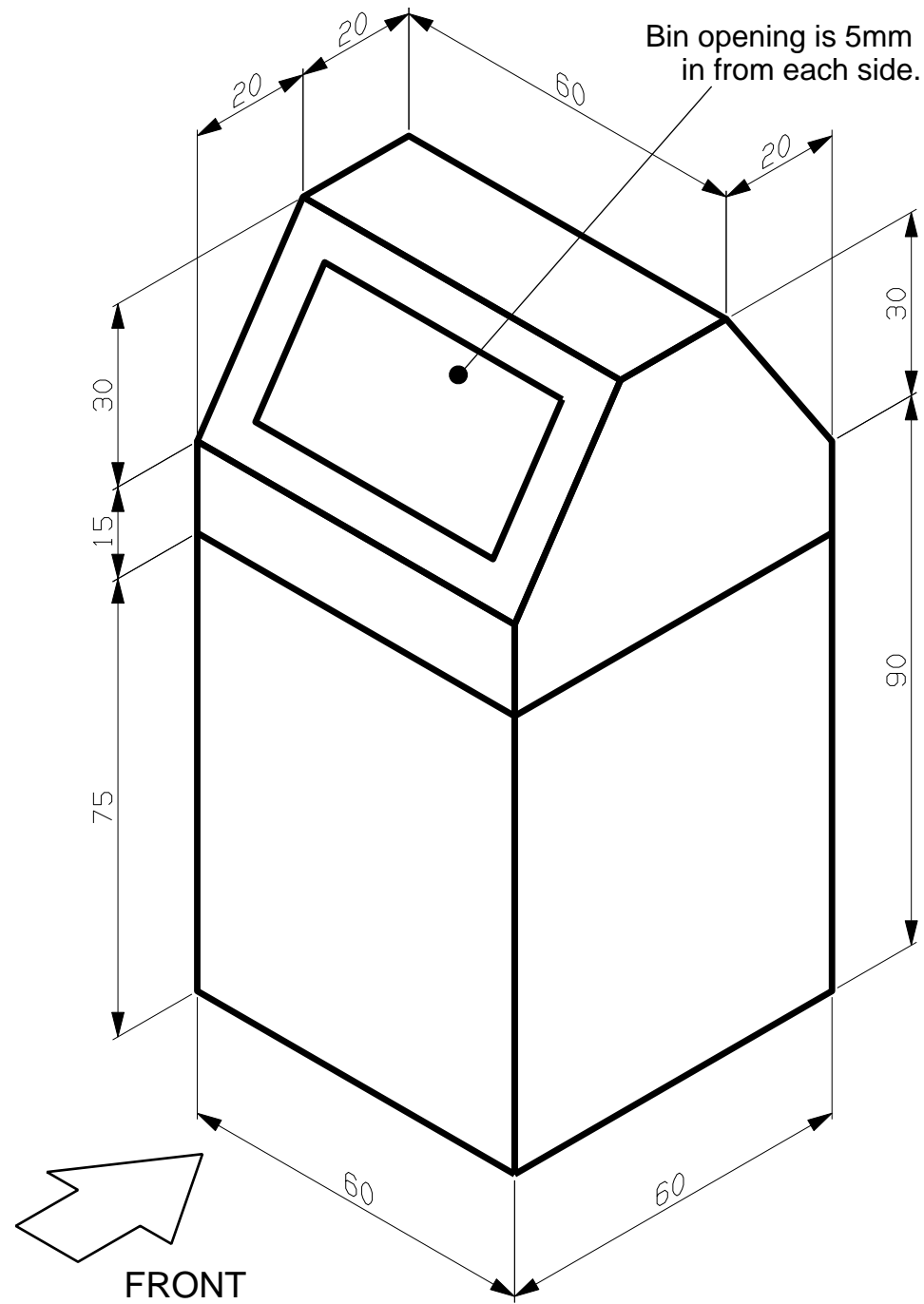
# Orthographic Views — 4

## — Kitchen Wastebin

Draw, in the suggested positions, the following views of the wastebin:

- a) Front Elevation looking from the direction shown by the arrow.
- b) End Elevation looking from the right.
- c) Plan.

ISOMETRIC



PLAN

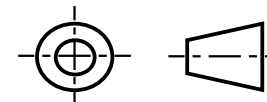
FRONT ELEVATION

END ELEVATION

Name:

Class:

Date:



Question No:

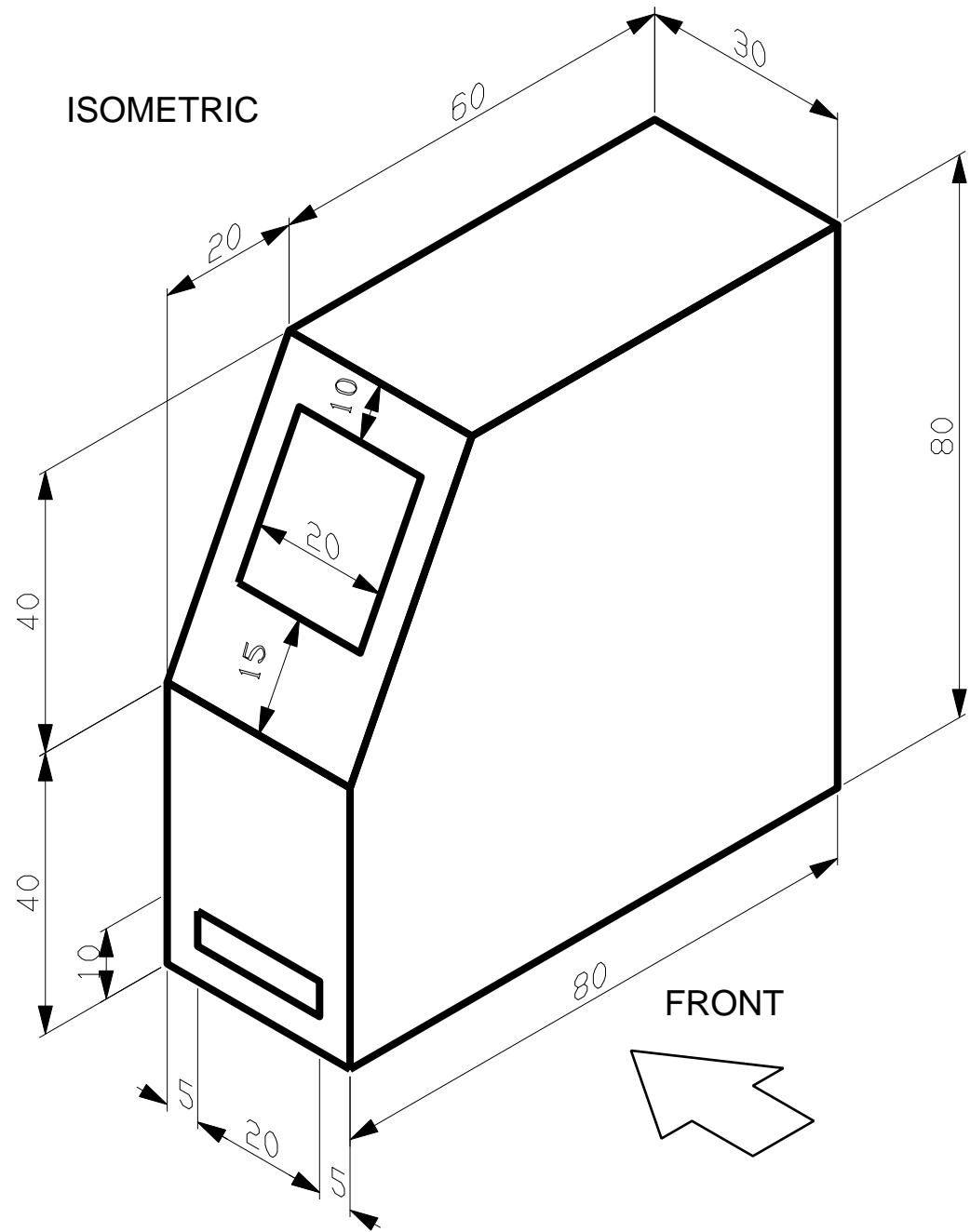
**Orthographic Views — 4**

# Orthographic Views — 5

## — Measuring Tape

Draw, in the suggested positions, the following views of the measuring tape:

- a) Front Elevation looking from the direction shown by the arrow.
- b) End Elevation looking from the right.
- c) End Elevation looking from the left.
- d) Plan.



END ELEVATION

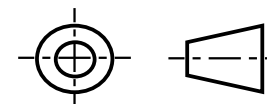
FRONT ELEVATION

END ELEVATION

Name:

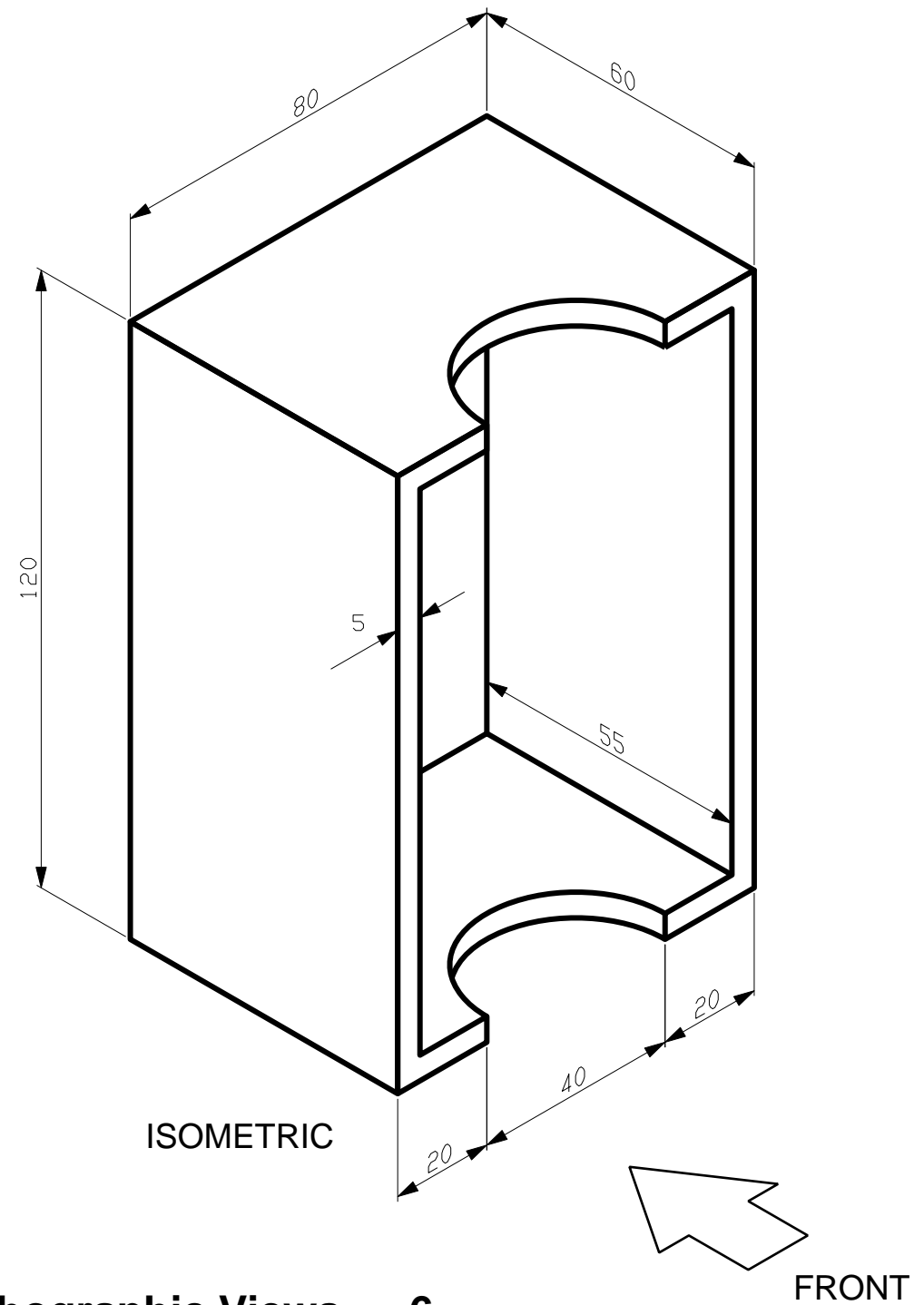
Class:

Date:



Question No:

**Orthographic Views — 5**



PLAN

**Orthographic Views — 6**  
**— Pipe Cover**

Draw, in the suggested positions, the following views of the pipe cover:

- a) Front Elevation looking from the direction shown by the arrow.
- b) End Elevation looking from the right.
- c) Plan.



FRONT ELEVATION

END ELEVATION

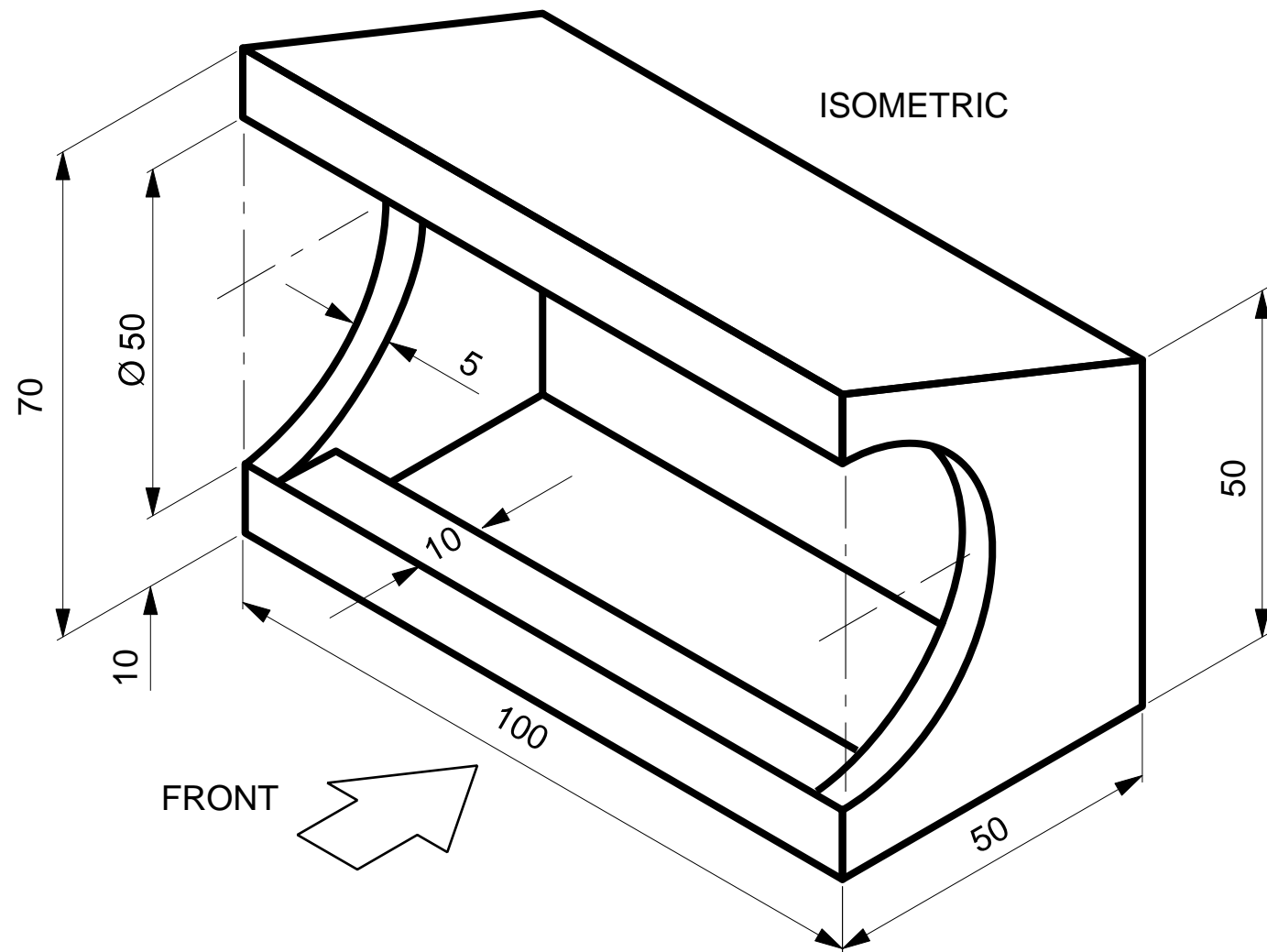
Name:	Class:	Date:		Question No:
				<b>Orthographic Views — 6</b>

# Orthographic Views — 7

## — Football Dugout

Draw, in the suggested positions, the following views of the dugout:

- a) Front Elevation looking from the direction shown by the arrow.
- b) End Elevation looking from the right.
- c) Plan.



PLAN

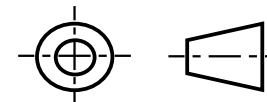
FRONT ELEVATION

END ELEVATION

Name:

Class:

Date:



Question No:

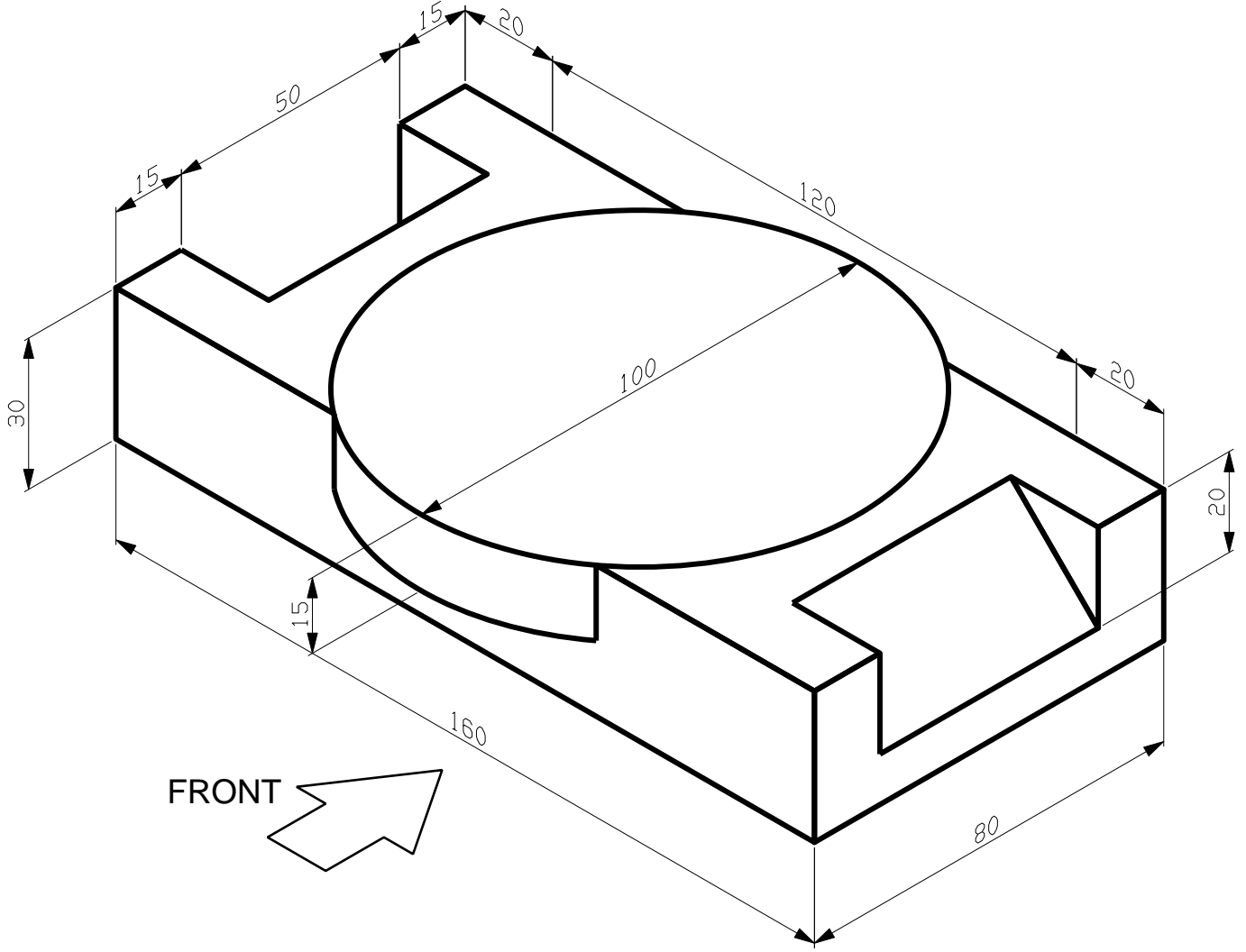
**Orthographic Views — 7**

# Orthographic Views — 8

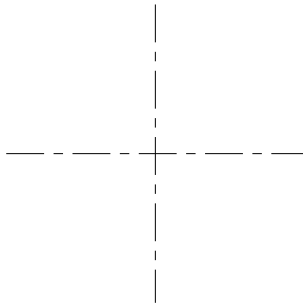
## — Games' Console

Draw, in the suggested positions, the following views of the console:

- a) Plan.
- b) Front Elevation looking from the direction shown by the arrow.
- c) End Elevation looking from the right.



ISOMETRIC



PLAN



FRONT ELEVATION

END ELEVATION

Name:	Class:	Date:		Question No:
<b>Orthographic Views — 8</b>				

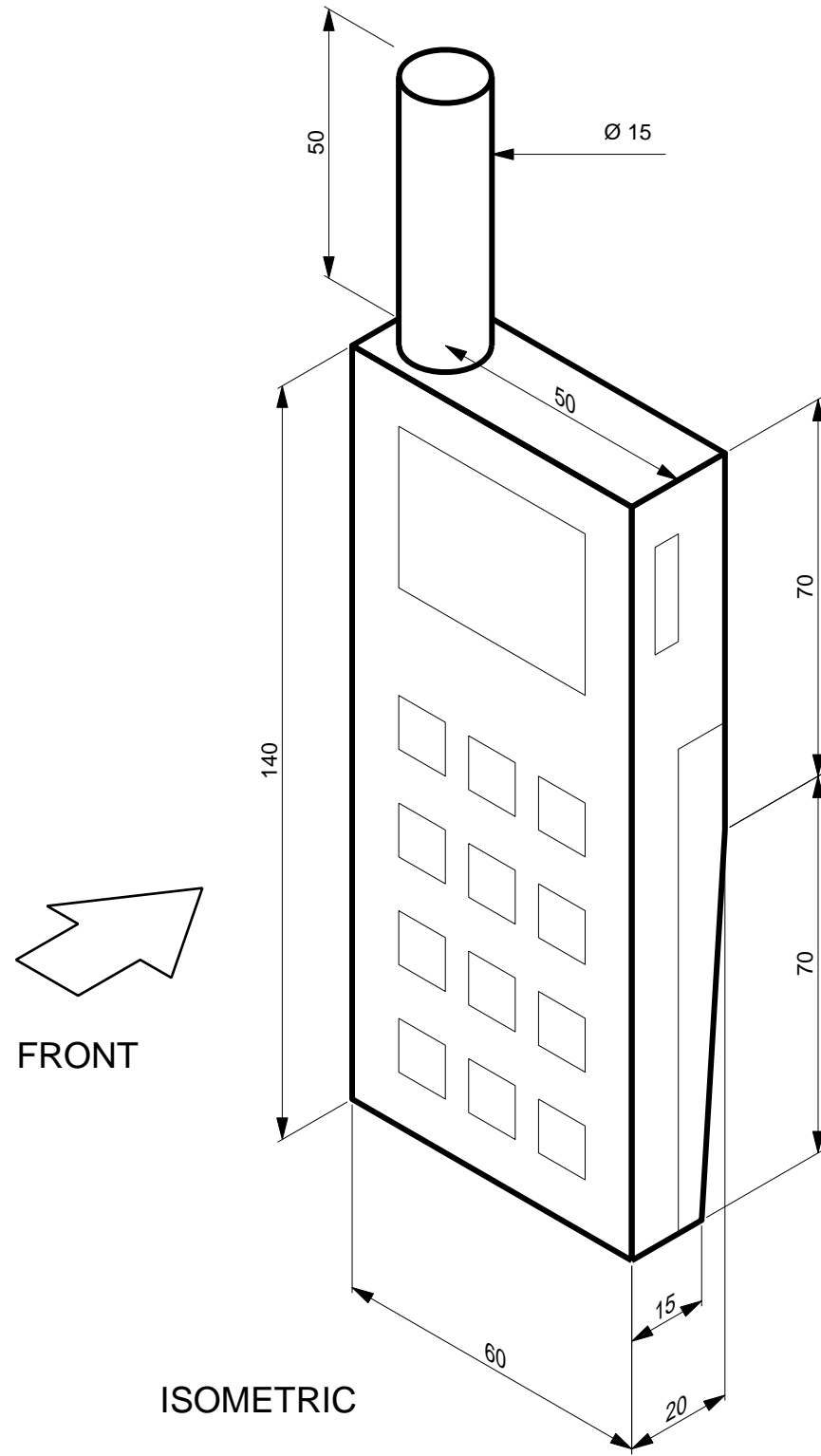


# Orthographic Views — 9

## — Mobile Telephone

Draw, in the suggested positions, the following views of the mobile:

- Front Elevation looking from the direction shown by the arrow.
- End Elevation looking from the right.
- Plan.



PLAN



FRONT ELEVATION



END ELEVATION

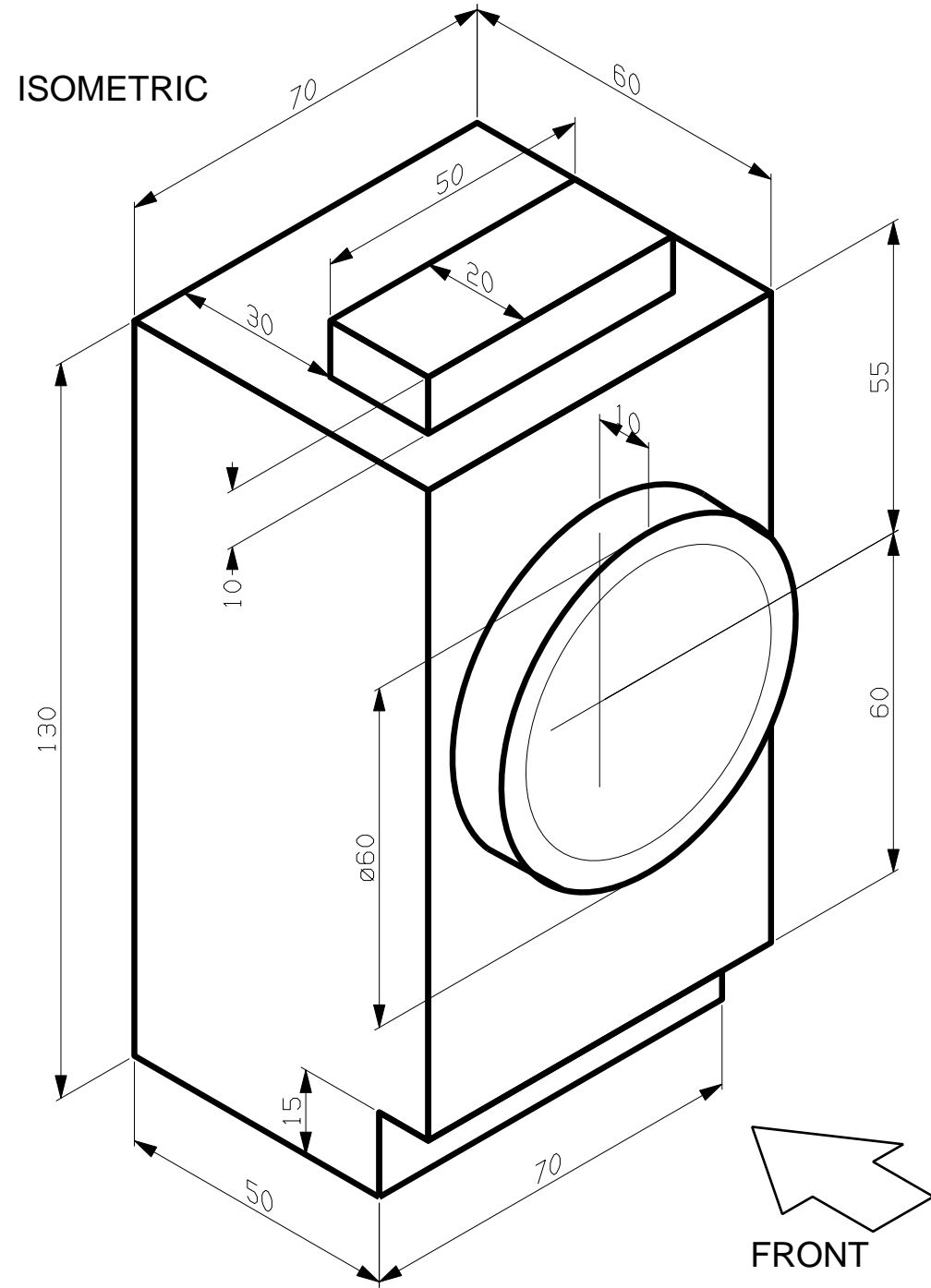
Name:	Class:	Date:		Question No: <b>Orthographic Views — 9</b>
-------	--------	-------	--	--

# Orthographic Views — 10

## — Washing Machine

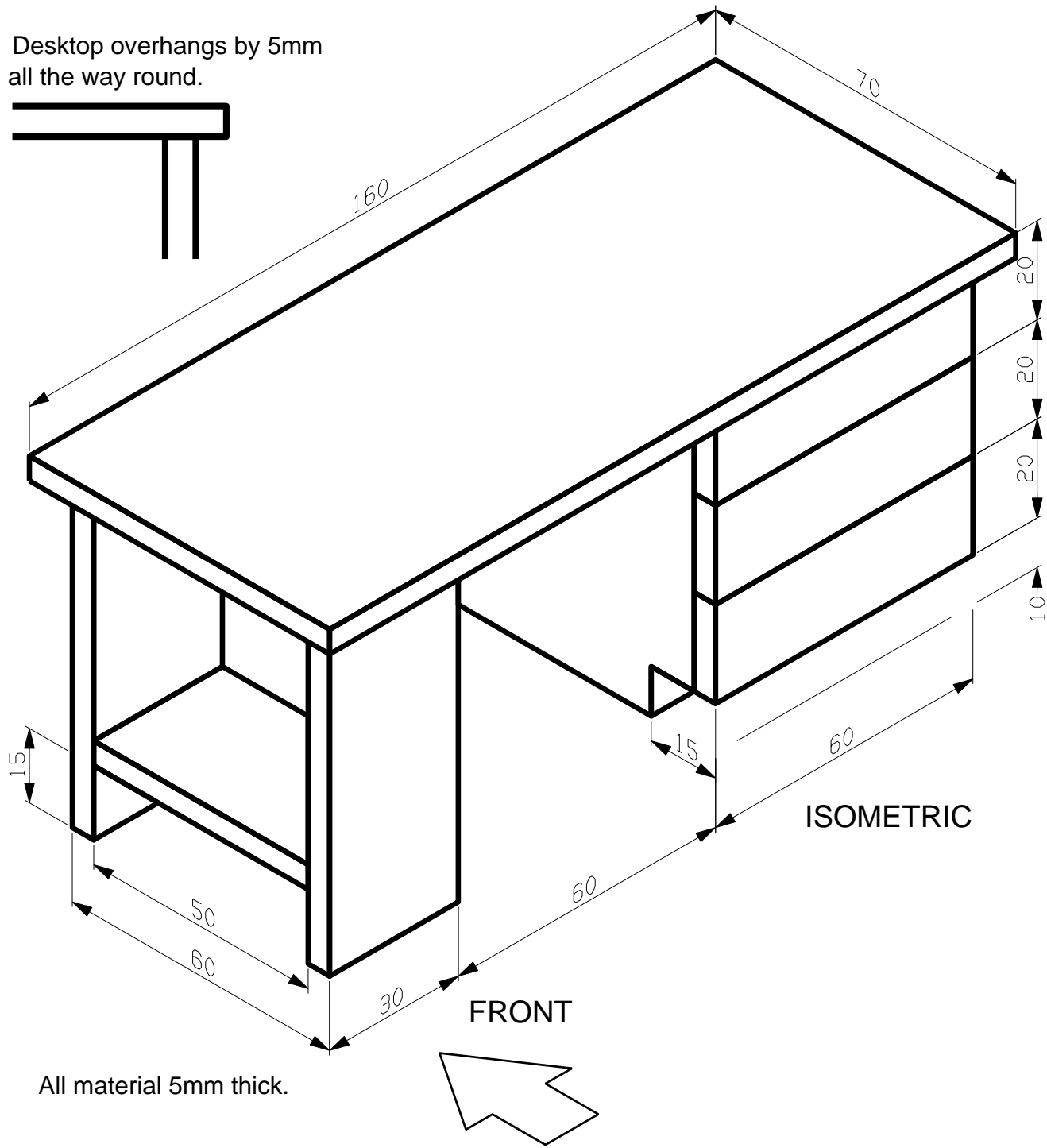
Draw, in the suggested positions, the following views of the washing machine:

- Front Elevation looking from the direction shown by the arrow.
- End Elevation looking from the right.
- Plan.



Name:	Class:	Date:		Question No:	<b>Orthographic Views — 10</b>
-------	--------	-------	--	--------------	--------------------------------

Desktop overhangs by 5mm  
all the way round.



All material 5mm thick.



PLAN

## Orthographic Views — 11

### — Desk

Draw, in the suggested positions, the following views of the desk:

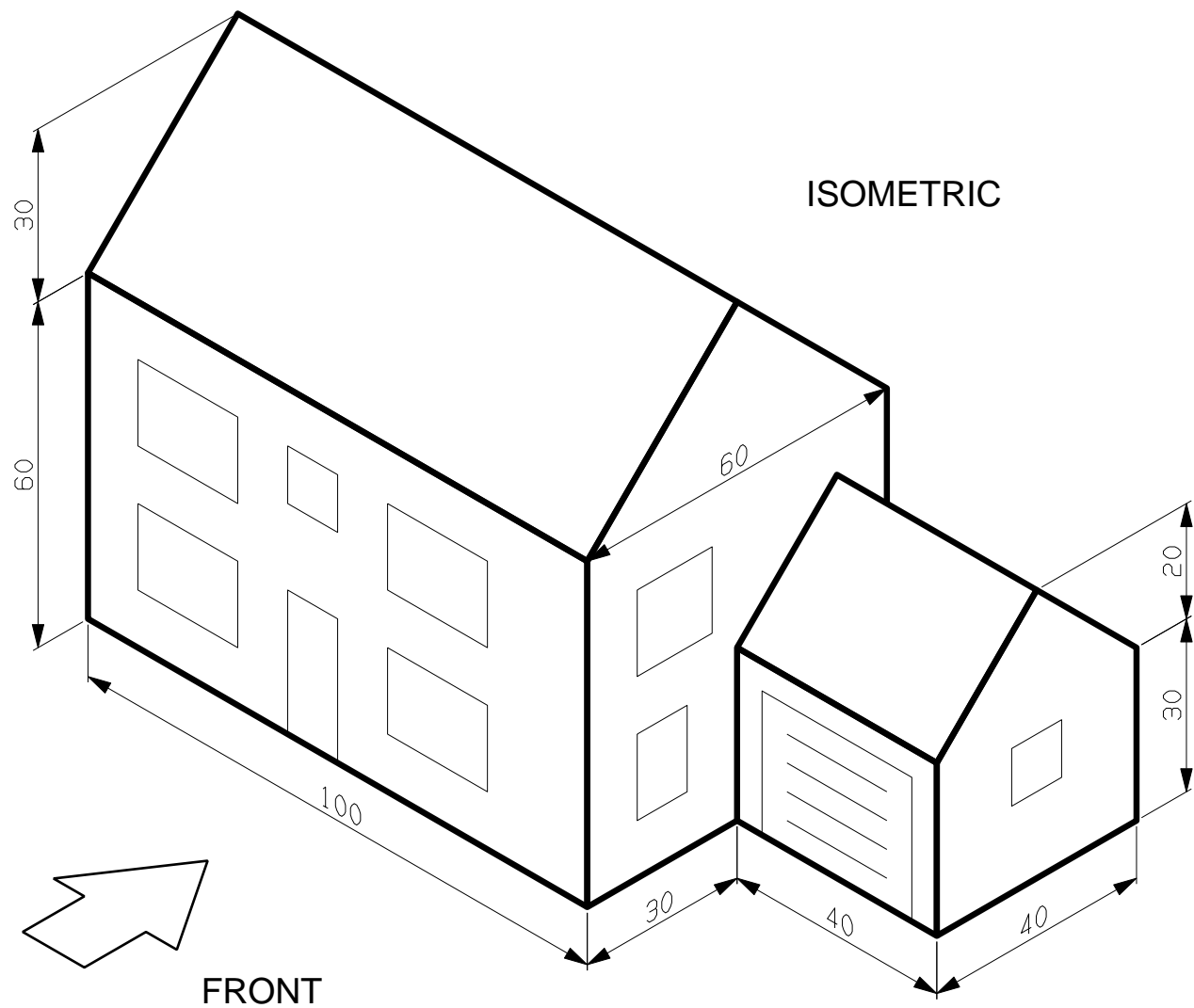
- Front Elevation looking from the arrow.
- End Elevation looking from the left.
- Plan.



END ELEVATION

FRONT ELEVATION

Name:	Class:	Date:		Question No: <b>Orthographic Views — 11</b>
-------	--------	-------	--	---



PLAN

## Orthographic Views — 12

### — House with Garage

Draw, in the suggested positions, the following views of the two story house with a garage:

- Front Elevation looking from the arrow.
- End Elevation looking from the left.
- Plan.



END ELEVATION

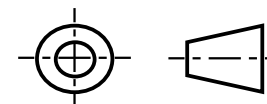


FRONT ELEVATION

Name:

Class:

Date:



Question No:

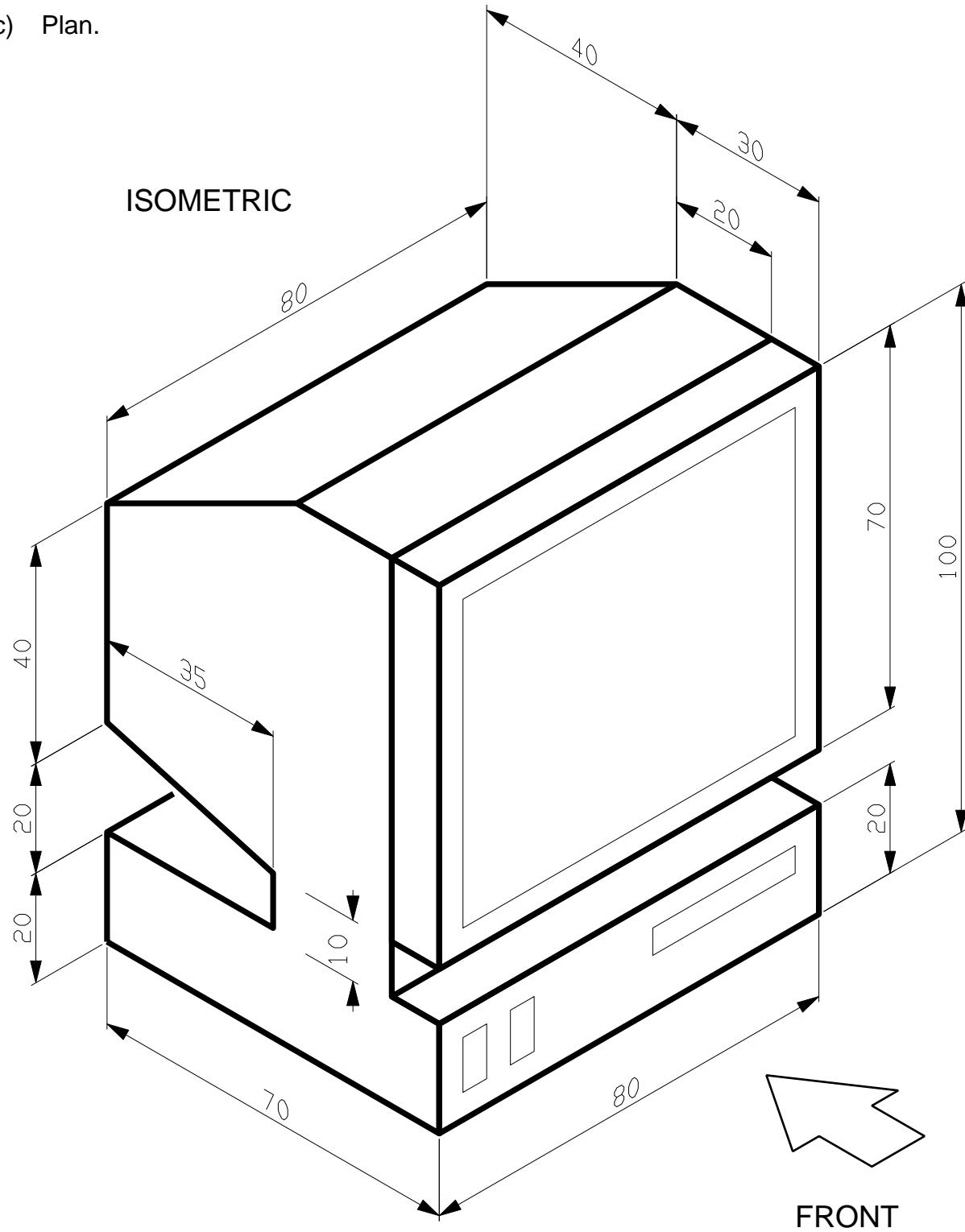
**Orthographic Views — 12**

# Orthographic Views — 13

## — Television

Draw, in the suggested positions, the following views of the television:

- a) Front Elevation looking from the direction shown by the arrow.
- b) End Elevation looking from the right.
- c) Plan.



PLAN

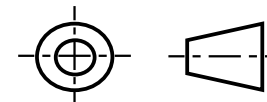
FRONT ELEVATION

END ELEVATION

Name:

Class:

Date:



Question No:

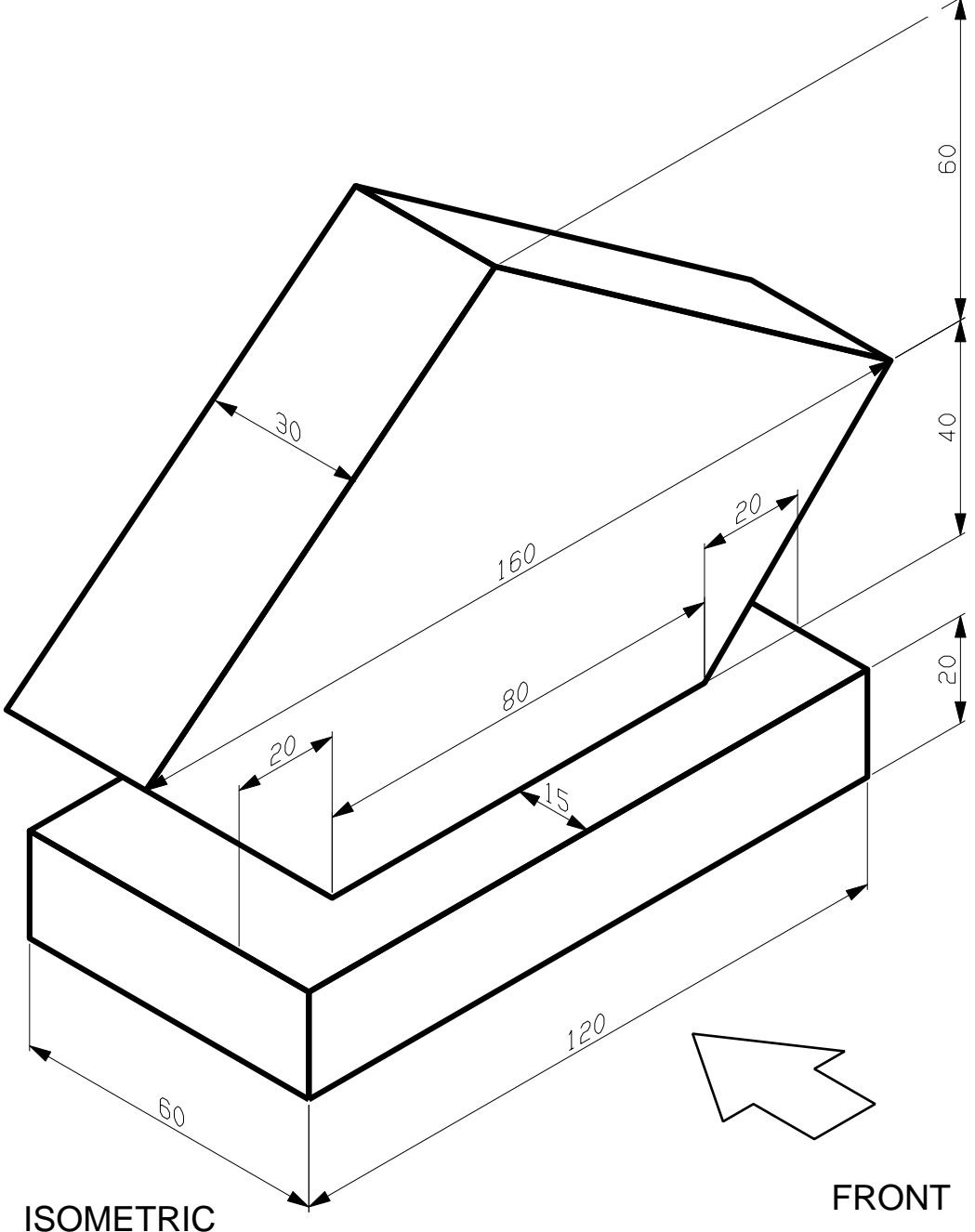
**Orthographic Views — 13**

# Orthographic Views — 14

## — Competition Prize

Draw, in the suggested positions, the following views of the prize:

- a) Front Elevation looking from the direction shown by the arrow.
- b) End Elevation looking from the right.
- c) Plan.



PLAN

FRONT ELEVATION

END ELEVATION

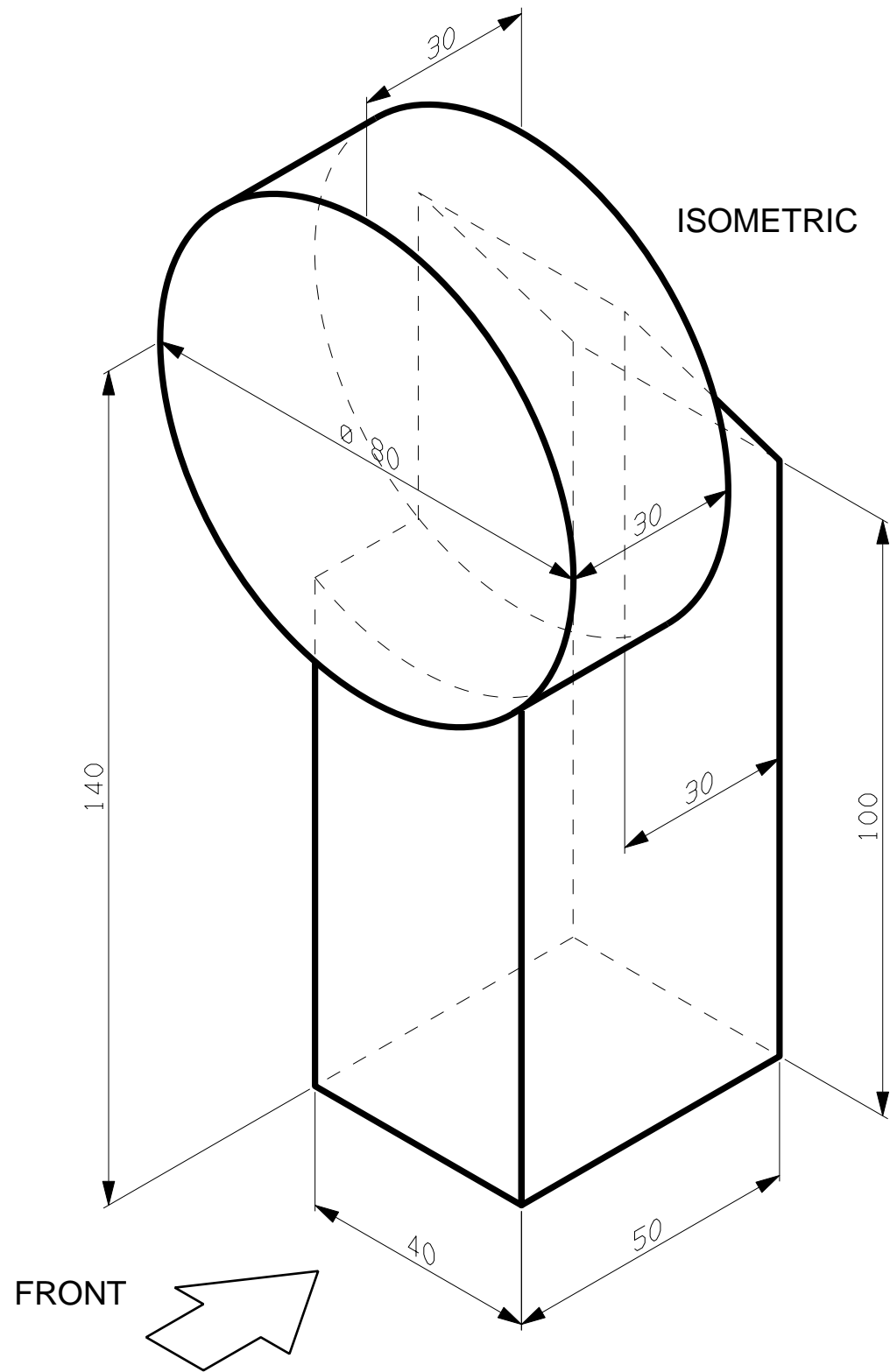
Name:	Class:	Date:		Question No:
				<b>Orthographic Views — 14</b>

# Orthographic Views — 15

## — Bicycle Light

Draw, in the suggested positions, the following views of the light:

- a) Front Elevation looking from the direction shown by the arrow.
- b) End Elevation looking from the right.



FRONT ELEVATION



END ELEVATION

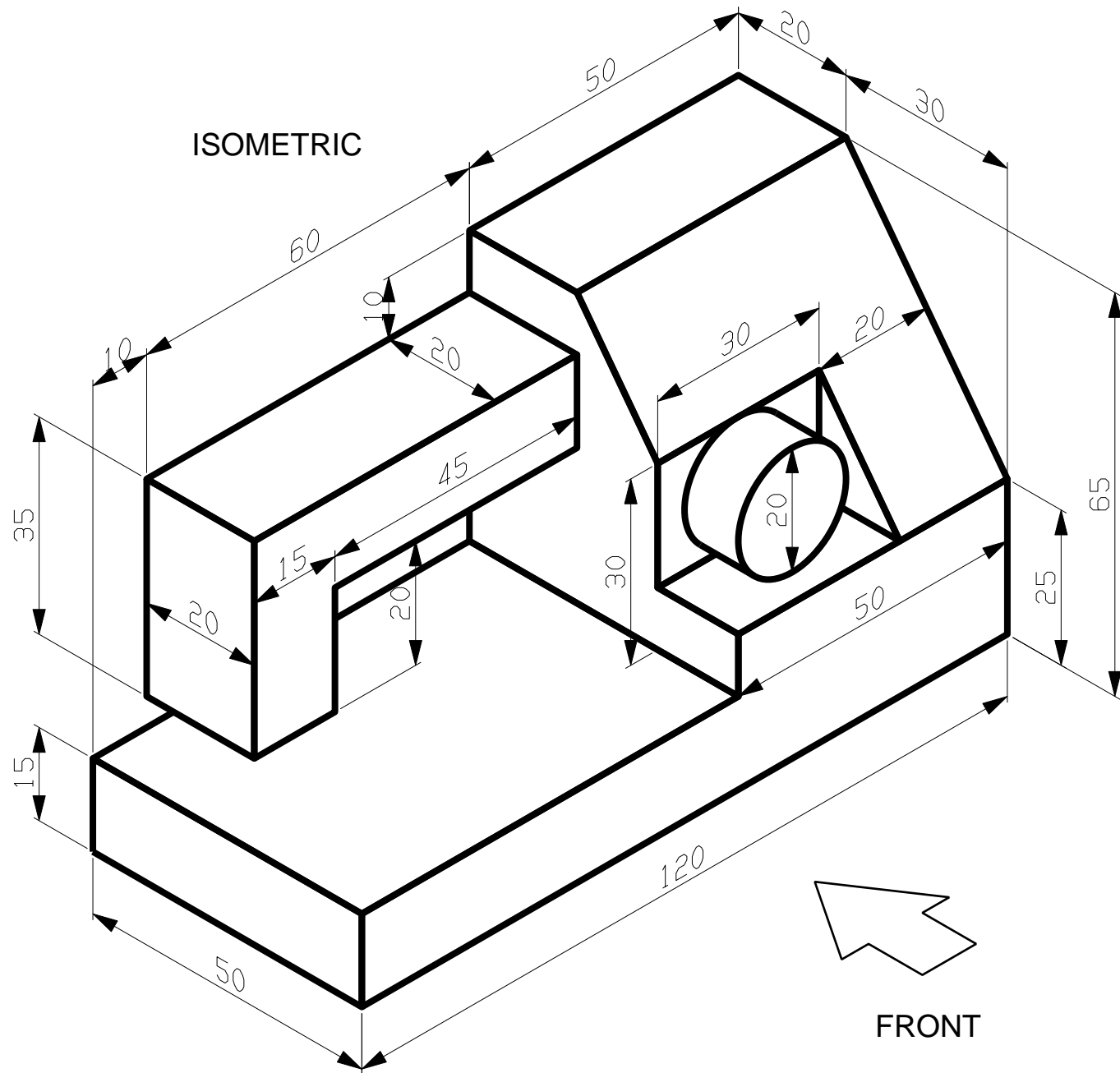
Name:	Class:	Date:		Question No:	<b>Orthographic Views — 15</b>
-------	--------	-------	--	--------------	--------------------------------

# Orthographic Views — 16

## — Toy Sewing Machine

Draw, in the suggested positions, the following views of the sewing machine:

- a) Front Elevation looking from the direction shown by the arrow.
- b) End Elevation looking from the right.
- c) Plan.



PLAN

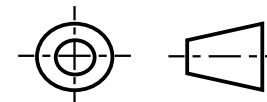
FRONT ELEVATION

END ELEVATION

Name:

Class:

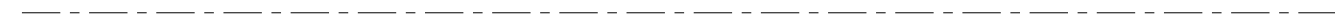
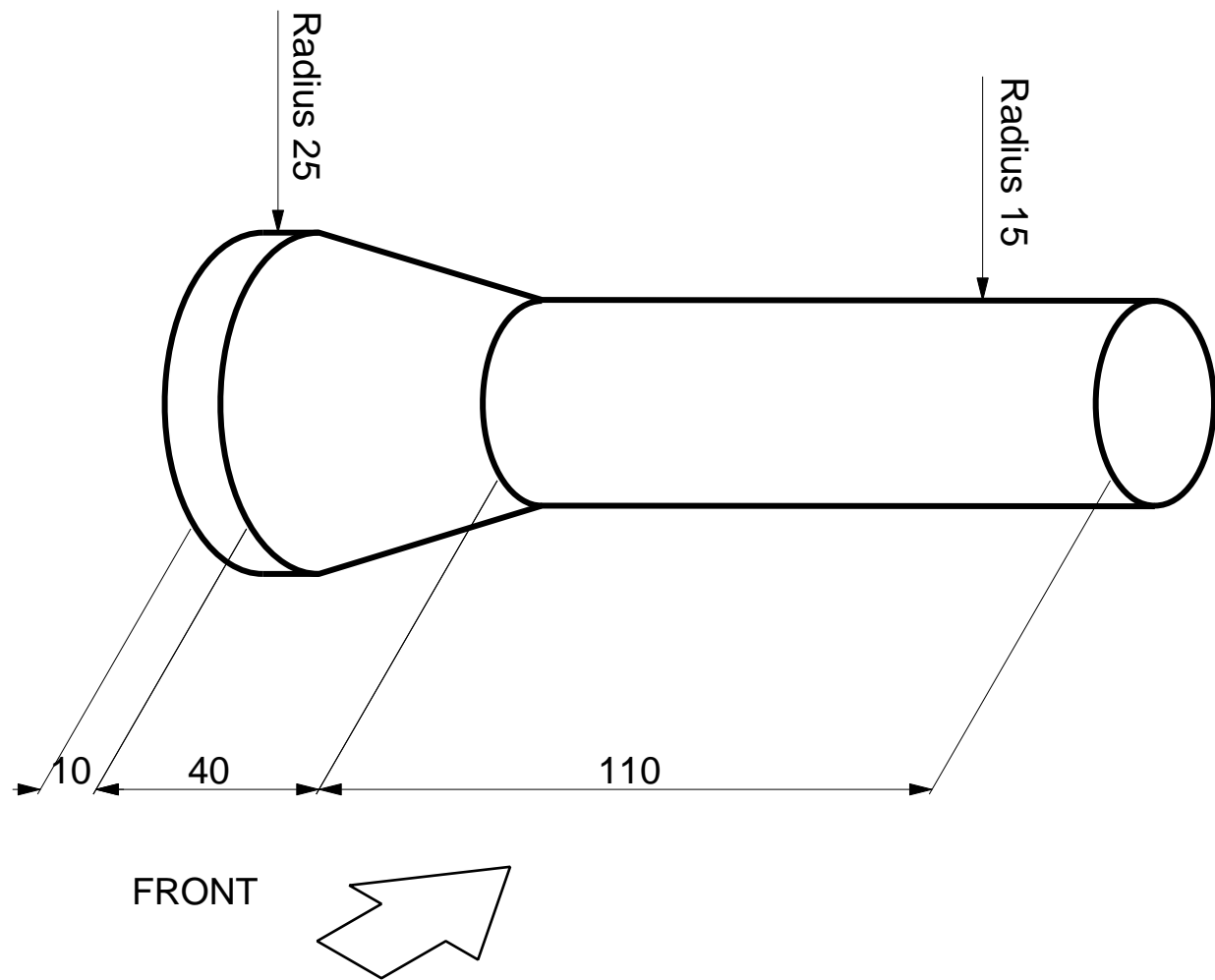
Date:



Question No:

**Orthographic Views — 16**



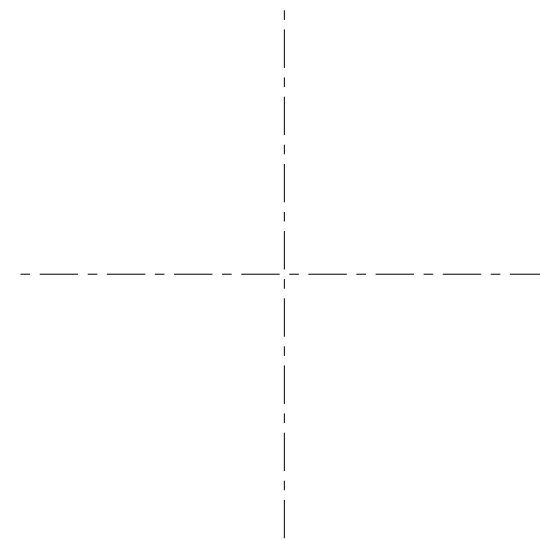


PLAN

### Orthographic Views — 17 — Torch

Draw, in the suggested positions, the following views of the torch:

- a) Front Elevation looking from the direction shown by the arrow.
- b) End Elevation looking from the left.
- c) Plan.



END ELEVATION

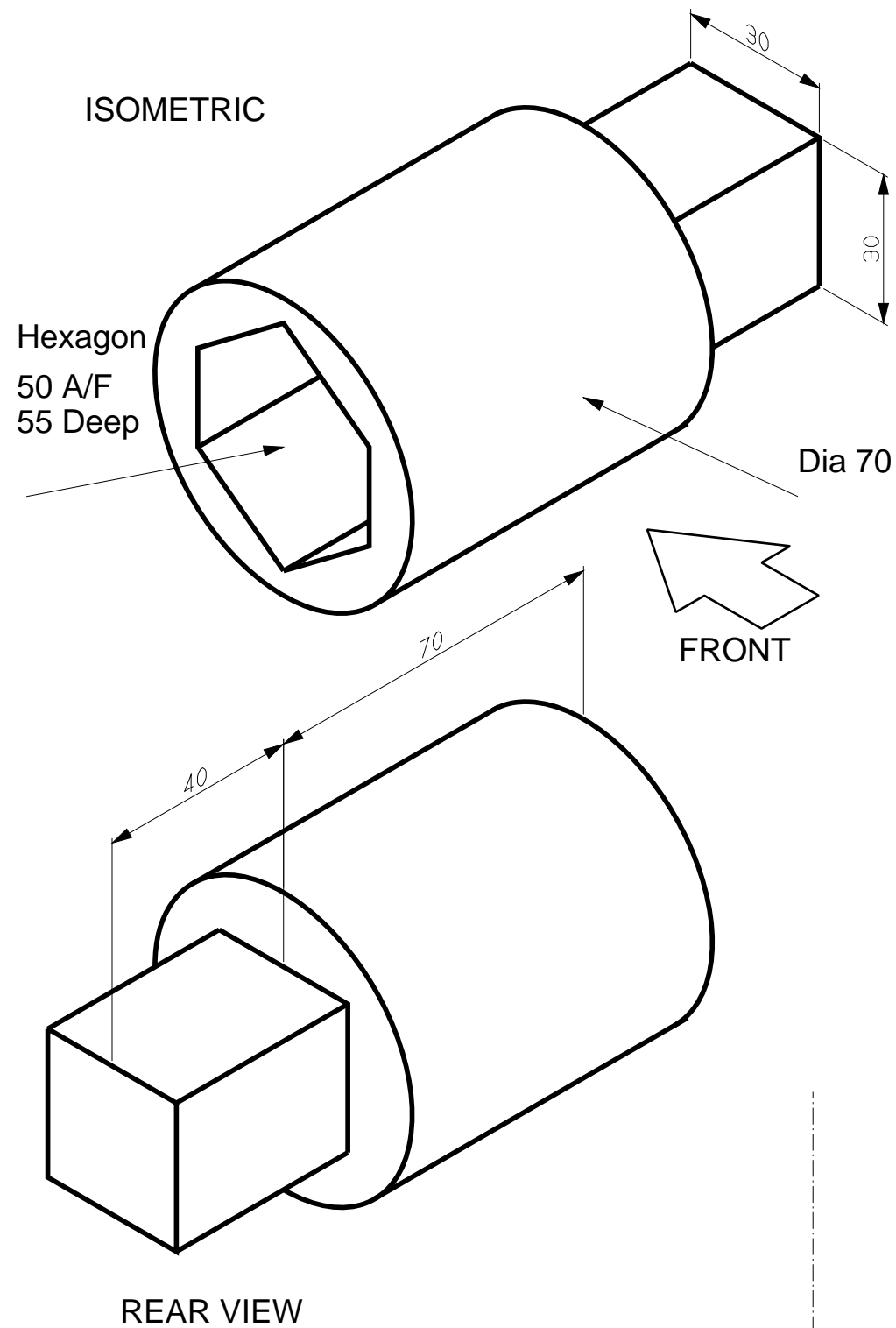


FRONT ELEVATION

Name:	Class:	Date:		Question No: <b>Orthographic Views — 17</b>
-------	--------	-------	--	---

# Orthographic Views — 18

## — Socket Spanner



Draw, in the suggested positions, the following views of the socket spanner:

- a) Front Elevation looking from the direction shown by the arrow.
- b) End Elevation looking from the right.
- c) End Elevation looking from the left.
- d) Plan.

*Show all the hidden lines.*

-----

PLAN

-----  
 END ELEVATION

FRONT ELEVATION

-----  
 END ELEVATION

Name:	Class:	Date:		Question No:
<b>Orthographic Views — 18</b>				