

National 4&5 Electricity & Energy Problems
Answers to Numerical Questions

Current and Electrical

Charge (p.2)

1.
 - (a) 150 C
 - (b) 18 C
 - (c) 2 s
 - (d) 12 s
 - (e) 30 A
 - (f) 9.4 A
2. 60 C
3. 4.2 A
4. 1 200 s
5. 630 C
6. 0.25 A
7.
 - (a) 10 800 s
 - (b) 180 s
 - (c) 105 000 C
10. 4.6 A

Electric Fields and Potential

Difference (p. 4)

2. A, C & D
3.
 - (a) 500 V
 - (b) 2000 V
 - (c) 400 V
 - (d) 800 V
4.
 - (a) 12 V
 - (b) 8 V
 - (c) 6 V
 - (d) 0 V
5. B

AC & DC (p.6)

1. DC current size & direction remain constant.
2. AC current size & direction constantly change
3. 230V ac, 50Hz
4.
 - (a) AC
 - (b) DC
 - (c) DC
 - (d) AC
4.
 - (a) 12V
 - (b) 3V
 - (c) 1.5V

Current & Voltage in Series

(p.9)

1. 5 V
2. 3 V

3.
 - (a) 24 V
 - (b) 3 A
4.
 - (a) 0.05 A
 - (b) 10 V
5.
 - (a) 0.2 V
 - (b) 1.7 A

Current & Voltage in

Parallel (p.11)

1.
 - (a) 12 V
 - (b) 12 V
 - (c) 0.5 A
2.
 - (a) 6 V
 - (b) 0.4 A
3.
 - (a) 230 V
 - (b) 0.6 A
 - (c) 0.9 A
4.
 - (a) 12 V
 - (b) 12 V
 - (c) 6 A
 - (d) 16 A
5.
 - (a) A & B
 - (b) 5 A
 - (c) A, B & C
 - (d) 7 A
 - (e) 3 A
 - (f) 230 V

Ohm's Law (p.14)

1.
 - (a) 525 V
 - (b) 200 V
 - (c) 1.84 A
 - (d) 0.04 A
 - (e) 10 Ω
 - (f) 960 Ω
2.
 - (a) 50 V
 - (b) 640 V
 - (c) 24 V
3.
 - (a) 2 A
 - (b) 0.24 A
 - (c) 0.09 A
4.
 - (a) 960 Ω
 - (b) 400 000 Ω
 - (c) 72 727 Ω

5. 2 400 Ω
6. 0.15 A
7. 3.6 V
8. 230 V
9. 15 333 Ω
10. 0.16 A

Resistance in Series (p.16)

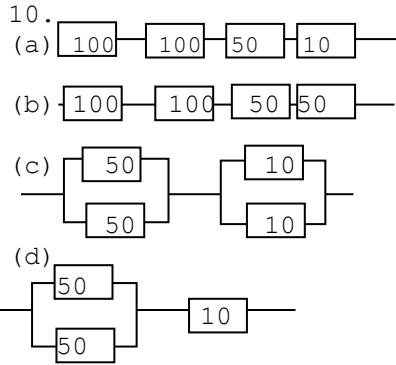
1.
 - (a) 5575 Ω
 - (b) 405 Ω
 - (c) 3000 Ω
 - (d) 400 Ω
 - (e) 310 Ω
 - (f) 80 Ω
2. 9 000 Ω
3. 1 550 Ω

Resistance in Parallel (p.17)

1.
 - (a) 40 Ω
 - (b) 10 Ω
 - (c) 60 Ω
 - (d) 48 Ω
 - (e) 60 Ω
 - (f) 320 Ω
 - (g) 200 Ω
 - (h) 100 Ω
 - (i) 600 Ω
2.
 - (a) 200 Ω
 - (b) 1 k Ω
 - (c) 240 Ω
 - (d) 140 k Ω
 - (e) 100 Ω
 - (f) 321.43 Ω
3. 140 Ω
4. 225 Ω
5. 360 Ω
6.
 - (a) 20 Ω
 - (b) 70 Ω
 - (c) 25 Ω
 - (d) 20 Ω
 - (e) 55 Ω
 - (f) 22.5 Ω
7.
 - (a) 125 Ω
 - (b) 280 Ω
 - (c) 405 Ω
8. 274.29 Ω
9. network B

National 4&5 Electricity & Energy Problems

Answers to Numerical Questions



Generation of Electricity (p.21)

6. 1 459 people

Electrical Power

Power, Energy, Time (p.23)

1.
 - (a) 50 W
 - (b) 5 W
 - (c) 60 000 J
 - (d) 2 400 J
 - (e) 40 s
 - 1.(f) 10 s
2. 12 s
3. 150 W
4. 4 000 J
5. 9.5 W
6. 1 440 000 J
7. 15 minutes
8. 2 900 W
9. 1 200 s
10. 950 W

Power, Current, Voltage

(p.25)

1.
 - (a) 30 W
 - (b) 5.4 W
 - (c) 6.52 A
 - (d) 3 A
 - (e) 240 V
 - (f) 6 V
2. 36 W
3. 109.09 V
4. 0.26 A
5. 690 W
6. 2 A
7. 1.57 A
8. 0.70 A
9.
 - (a) 12 V
 - (b) 8
10. 238.10 V

11. 3.5 V
12. 188 A
13. 2.17×10^{-5} A
14. 9 V
15.
 - (a) 5.65 A
 - (b) 16.96 A

Power & Resistance (p.28)

1. 440.63 W
2. 900 W
3. 110.21 W
4. 1 175.56 W
5. 401.60 W
6. 9.18 W
7. 253.58 W
8. 777.94 W
9. 480.91 W
10. 0.5 A
11. 460 Ω
12. 26 450 Ω
13. 70.53 Ω
14. 12.25 V
15. 132.25 W

Miscellaneous Questions on

Circuits (p.30)

1.
 - (a) 36 W
 - (b) 4 Ω
 - (c) 6 480 J
 - (d) 540 C
2.
 - (a) 3 mA
 - (b) 30 V
 - (c) 60 s
 - (d) 0.18 C
3.
 - (a) circuit 2
 - (b) 10 Ω
4.
 - (a) 9.57 A
 - (b) 24 Ω
5.
 - (a) 713 W
 - (b) 74.19 Ω
6.
 - (a) 1 800 s
 - (b) 1.98×10^6 J
7.
 - (a) 600 s
 - (b) 24 W
8.
 - (a) 2 700 s
 - (b) 33 750 C

9. 10 A
10. 1 036 800 J
11. 4 V
12.
 - (a) 8 V
 - (b) 2 A
13.
 - (a) 24 V
 - (b) 0.3 A
14.
 - (a) 12 V
 - (b) 1.5 A
15. network 3

Energy Transformations (p.35)

1. 80 000 J
2. 12 600 000 J
3.
 - (a) 800 000 J
 - (b) 800 000 J
 - (c) 800 000 W
4.
 - (a) 2.25×10^6 J
 - (b) 2.25×10^6 J
 - (c) 1875 kg
5.
 - (a) 1.10×10^6 J
 - (b) 1.10×10^6 J
 - (c) 367 m
6.
 - (a) 3×10^8 J
 - (b) 83 333 W
7. 125 000 W
8.
 - (a) 6.4×10^8 J
 - (b) 6.4×10^8 J
 - (c) 29 630 W
9.
 - (a) 24 J
 - (b) 24 J
 - (c) 2.4 kg
10.
 - (a) 14 000 J
 - (b) 14 000 J
 - (c) 20.3 s
11. 11 704 s
12. 100.32 s
13. 117.19 $^{\circ}\text{C}$
14. 836 W
15. 0.04 kg
16. 22.8×10^5 J
17.
 - (a) 65 $^{\circ}\text{C}$
 - (b) 300 s
18.
 - (a) 10 000 J

National 4&5 Electricity & Energy Problems
Answers to Numerical Questions

- (b) 55.56 W
 (c) 0.24 A
 19. Copper
 20.
 (a) 10 350 J
 (b) 8 460 J
 (c) 1890 J

Efficiency (p. 40)

1.
 (a) 50 %
 (b) 20 %
 (c) 960 J
 (d) 3 333 J
 (e) 180 J
 (f) 24 000 J
 2. 58.8 %
 3. 20 %
 4. 14.26 %
 5. 29.5 %
 6. 20 kJ
 7. 750 MW
 8. 781.25 MW
 9. 96 000 kW
 10. 45 %
 11. 22.22 MW
 12. 1 575 000 J
 13. 360 W
 14. 444.4 m
 15. 9 MJ

Electromagnetism (p.44)

4.
 (a) 6
 (b) 7 or 8
 (c) 11

L.E.D. Circuit Calculations (p.46)

1. B and E
 2.
 (a) 4 V, 400 Ω
 (b) 10 V, 1 000 Ω
 (c) 6.2 V, 387.5 Ω
 (d) 18.4 V, 2 300 Ω
 (e) 2.5 V, 125 Ω
 (f) 9 V, 750 Ω
 3.
 (a) 190 Ω
 (b) 600 Ω
 (c) 980 Ω
 (d) 400 Ω
 (e) 1 000 Ω
 (f) 500 Ω
 (g) 650 Ω
 (h) 50 Ω

4.
 (a) 3.2 V
 (b) 1.9 V
 5. 11 V
 6. 425 Ω
 7. 0.005 A
 8. 2.2 V
 9. 21 V
 10. 250 Ω

Electronic Systems – Input Devices (p.50)

2.
 (a) (i) 200 Ω
 (ii) 2500 Ω
 (b) circuit (ii)
 3.
 (a) 4 000 Ω
 4.
 (a) 0.2 k Ω
 (b) 0.005 A
 (c) bright sunlight
 5.
 (a) 60 $^{\circ}\text{C}$
 (b) cold
 (c) 20 $^{\circ}\text{C}$
 (d) 0.03 A

Potential Divider Circuits (p.54)

1. 6 V, 6 V
 2. 12 V, 12 V
 3. 18 V, 18 V
 4. 2 V, 10 V
 5. 4 V, 6 V
 6. 20 V, 16 V
 7. 16 V, 8 V
 8. 16 V, 8 V
 9. 16 V, 8 V
 10. 27 V, 9 V
 11. 27 V, 9 V
 12. 27 V, 9 V
 13. 8 V, 4 V
 14. 2.5 V, 7.5 V
 15. 48 V, 192 V
 16. 2 V, 3 V
 17. 13.5 V, 22.5 V
 18. 4 V, 20 V
 19. 30 V, 210 V
 20. 3.6 V, 16.4 V
 21.
 (a) 224.39 V
 (b) 218.94 V
 22.
 (a) 10.91 V

- (b) 8.57 V
 23.
 (a) 17.14 V
 (b) 4.84 V
 24. 35.53 V
 25. 100 $^{\circ}\text{C}$
 26. 12 V
 27. 0 V
 28. 0 V
 29. 5 V
 30. 0 V

Transistor Switching Circuits (p. 61)

1.
 (a) 6 V, bulb ON
 (b) 2 V, bulb ON
 (c) 0.5 V, Buzzer OFF
 (d) 1.2 V, L.E.D. ON
 (e) 1.95 V, bulb ON
 (f) 3.56 V, L.E.D. OFF as it is wrongly connected.
 2.
 (a) 0 V
 (b) No
 (c) Yes
 (d) Yes
 4.
 (a) D
 (b) B
 (c) C
 (d) A
 5.
 (a) ON
 (b) OFF
 (c) ON
 (d) OFF
 (e) ON
 (f) OFF

Pressure, Force, Area (p. 66)

1.
 (a) 75 Pa
 (b) 8000 Pa
 (c) 220 000 N
 (d) 720 N
 (e) 60 m²
 (f) 3.5 m²
 2. 250 000 Pa
 3. 490 Pa
 4. 60 000 Pa
 5. 8 x 10⁸ Pa
 8.
 (a) 4.7 N
 (b) 3.2 x 10⁻³ m²
 (c) 1469 Pa

National 4&5 Electricity & Energy Problems
Answers to Numerical Questions

9.
(a) 294 N
(b) 0.099 m²
(c) 2970 Pa
10.
(a) 12 250 N
(b) 0.31 m²
(c) 0.08 m²
11. 2.2 x 10⁻⁴ m²
(2.2cm²)
12.
(a) 294 000 N
(b) 30 000 kg
13. 50 000 N
14. approx. 3.5x10⁷Pa
15. approx. 5x10⁻⁴ m²
(5cm²)

The Gas Laws (p.72)

1.
(a) 300 K
(b) 373 K
(c) 273 K
(d) 223 K
2.
(a) 127 °C
(b) -263 °C
(c) 0 °C
(d) -176 °C
3.
(a) 60 °C
(b) 60 K
4. 210 kPa
6. 0.07 m³
7. 90 m³
8. 1.68 x 10⁵ Pa
9. 899 litres
10. 104 kPa
11. 238 kPa
12. 360 K (87 °C)
13. 129 kPa
14. 303 K (30 °C)
15. 32 ml
16.
(b) 42.7 cm³
17. 0.18 cm³
18. 1.09 x 10⁵ Pa