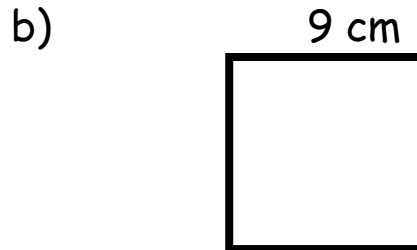
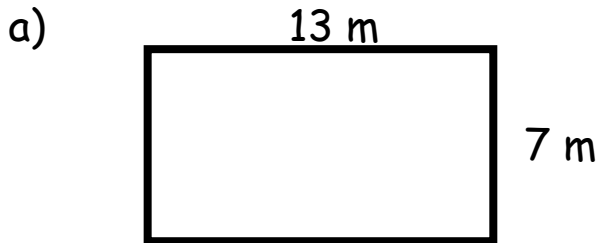


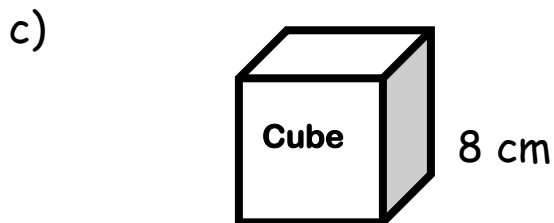
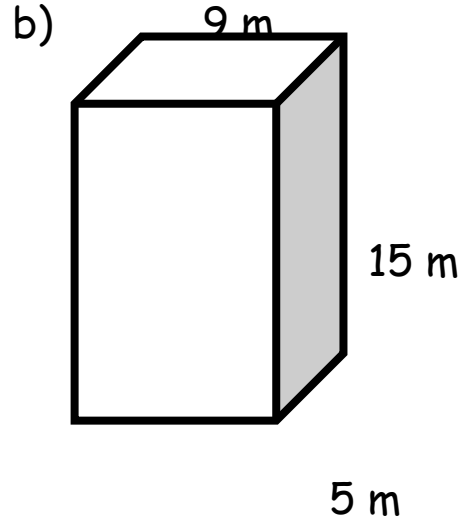
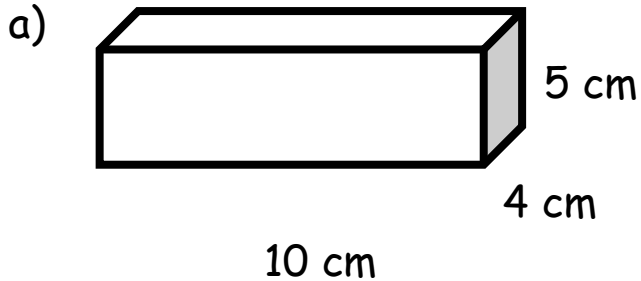
Areas & Volumes

Show all your working in every question.

1) Find the areas of the following shapes.



2) Find the volumes of the following shapes.



3) A hall measures 4.3 m by 3m. The living room measures 6 m by 3 m. Calculate the **total** area of both the rooms.

- 4) Find the volume of a cube of side 13 cm.
- 5) A square has an area of 49 cm^2 . What is the length of its side ?
- 6) The area of a rectangular lawn is 140 m^2 . If the breadth is 7 m what is the length of the lawn ?

Areas and Volumes Answers

1a) 91m^2

b) 81cm^2

2a) 200cm^3

b) 675m^3

c) 512cm^3

3) 30.9m^2

4) 2197cm^3

5) 7cm

6) 20m