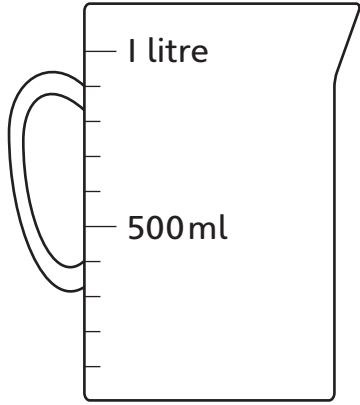


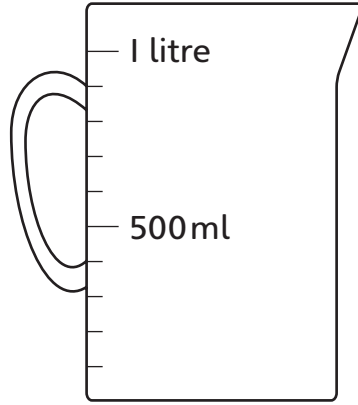
Question Bank M2.3c



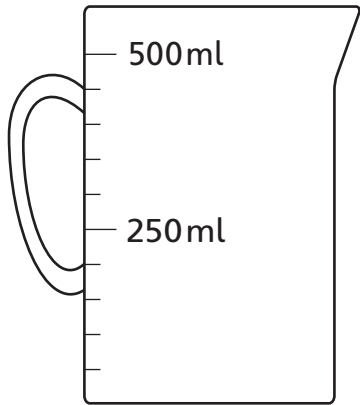
Draw a line across each container to show the amount.



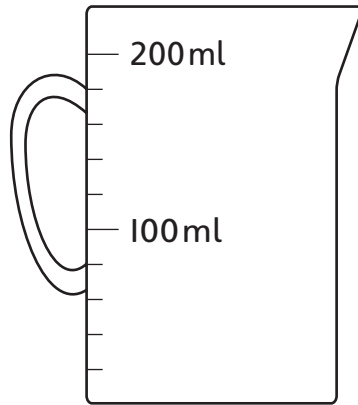
300ml



450ml



300ml



125ml

I think



My teacher thinks



Question Bank M2.4a



Work out the measurements for each rectangle.



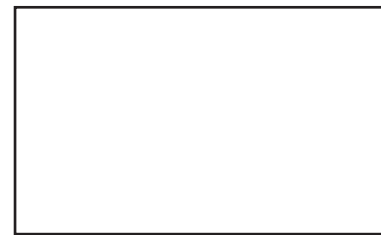
Length =
Width =
Area =
Perimeter =



Length =
Width =
Area =
Perimeter =



Length =
Width =
Area =
Perimeter =



Length =
Width =
Area =
Perimeter =

I think



My teacher thinks

