

Cup Holder

Product information

This task is based around a straw and cup dispenser for a fast food restaurant. The dispenser is wall mounted, straws are selected and replaced from the upper opening, and cups are selected and replaced from the lower opening and are held in place using a spring mechanism (there is no requirement to draw this mechanism and it is not shown).

You have been tasked with:

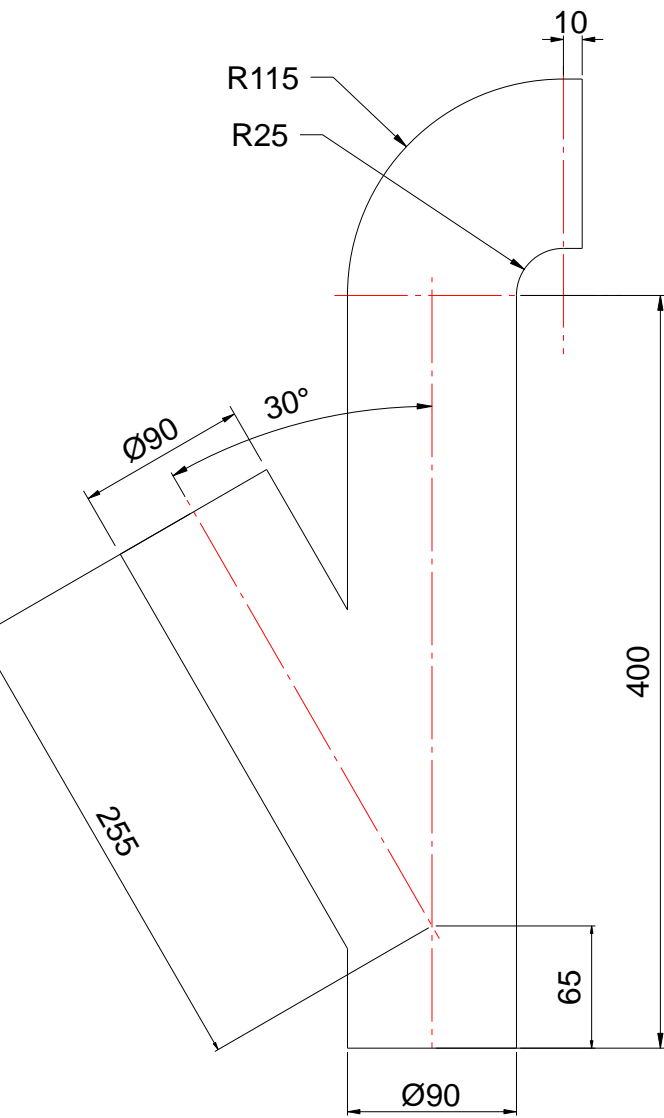
- ◆ producing three related orthographic sketch views of the cup and straw dispenser including dimensions
- ◆ producing orthographic production drawings of the straw and cup dispenser, showing the interpenetration by:
 - drawing three related views
 - including relevant dimensions applying correct convention
 - ensuring, if scale is applied, that the scale is noted clearly
- ◆ producing the production drawing surface development of the straw dispenser component (angled component)

If orthographic drawings are generated from a 3D model, then you must create the model yourself.

You may be asked to explain the graphic techniques you have used.

In tackling your work, you should:

- ◆ use the sketch provided to inform your work, but you may redesign the dispenser as long as it includes two interpenetrating shapes. You are not being assessed on your design — only the sketches and production drawings you create based upon a sketch



Elevation

Sketch of a wall-mounted straw and cup dispenser design



CAD render of proposed straw and cup dispenser