

Starter

1. Round the following to 1 decimal place:

a. 3.64

b. 32.09

c. 479.97

2. Simplify:

a. $4v + 3u - 1 + 7u - 5v - 7$

b. $17 - 5j^2 + 3j + 2j - 5j^2 + 5$

3. Calculate the volume of a cube with side length of 14cm.

4. Solve:

a. $3e - 5 = 28$

b. $19 = 5y + 4$

c. $28 - 4h = 44$

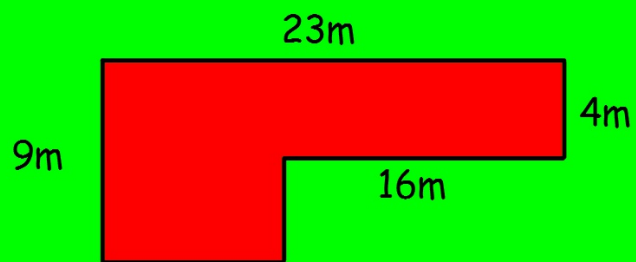
Starter

1. Calculate:

a. 30% of £610

b. 15% of £880

2. A composite shape is shown opposite.



a. Calculate the area.

b. Calculate the perimeter.

3. Evaluate the following expressions where $e = -2$, $f = 5$ and $h = -1$:

a. $eh + f$

b. $(fh)^2 + 3f$

c. $(f - e)^2 - e^2$

Starter

1. Calculate:

a. 4.5×7

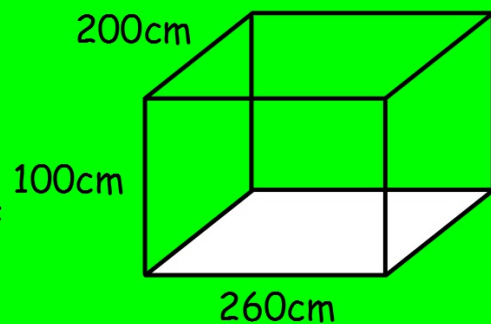
b. $12.38 - 5.21$

c. 62.8×30

2. A cuboid is show opposite.

a. Calculate the volume.

b. The cuboid is filled to 60% of it's capacity with water. What volume of water will be in the cuboid?



3. Calculate:

a. $3 \times 4^2 - 7 + 2 \times 9$

b. $97 - 7 \times 8 + 3^3$

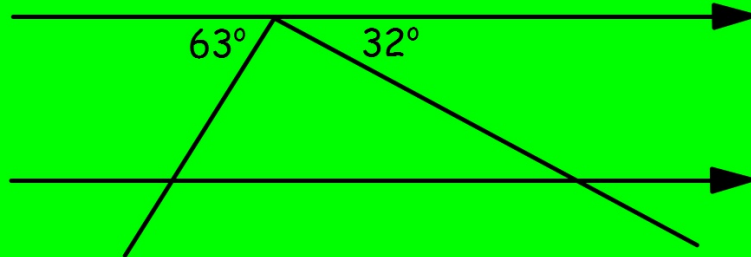
Starter

1. Solve:

a. $4h - 1 = 19$

b. $8u + 5 = 45$

2. Complete all angles in the diagram below.



3. Calculate the following:

a. 15.37×9

b. $101.67 - 76.391$

c. 31.83×25

