

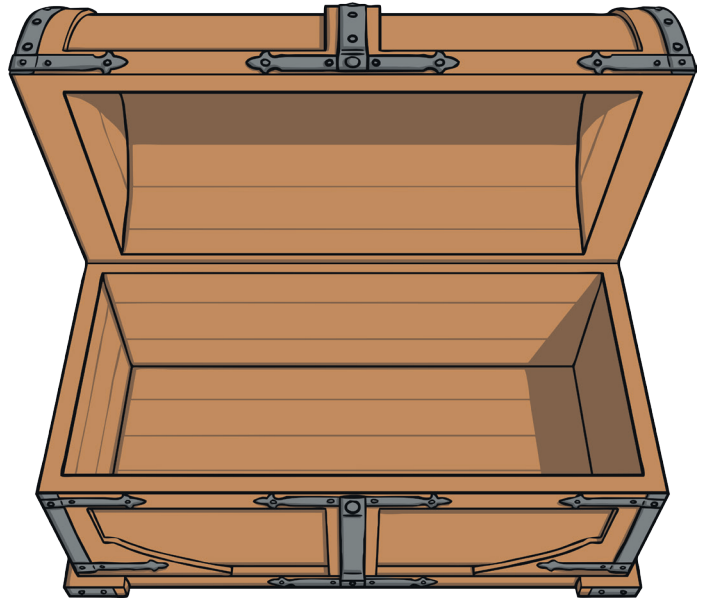
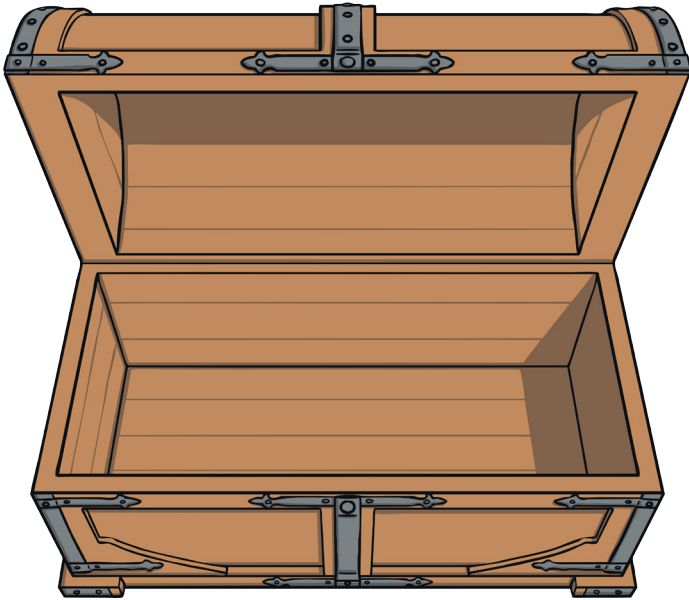
Half the Pirate Treasure

The pirates are trying to share the treasure they have found. They want to share it equally so that each pirate has half of the treasure.

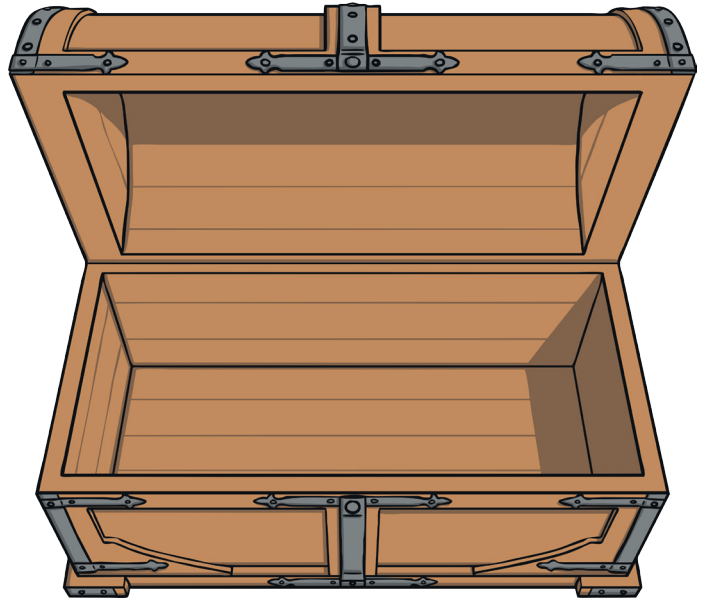
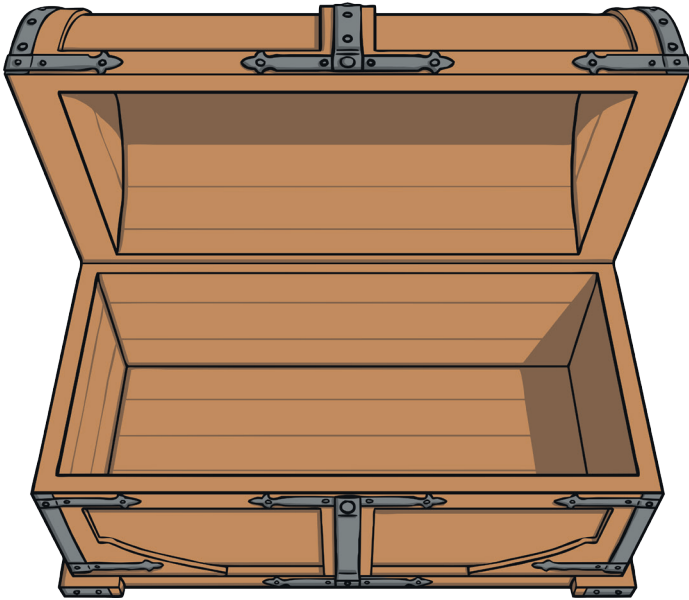
Can you put half the coins into the treasure chests? How many coins does each pirate have? How many coins are there altogether? Cut the coins out and place them into the treasure chests to help you.



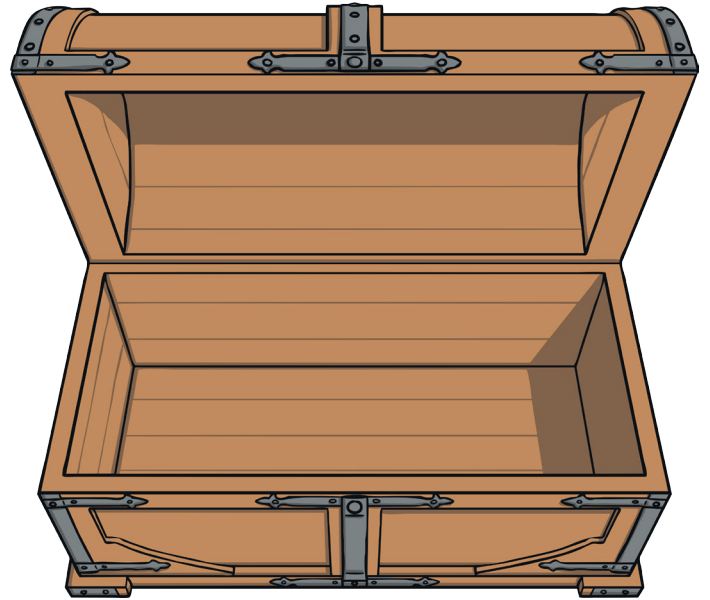
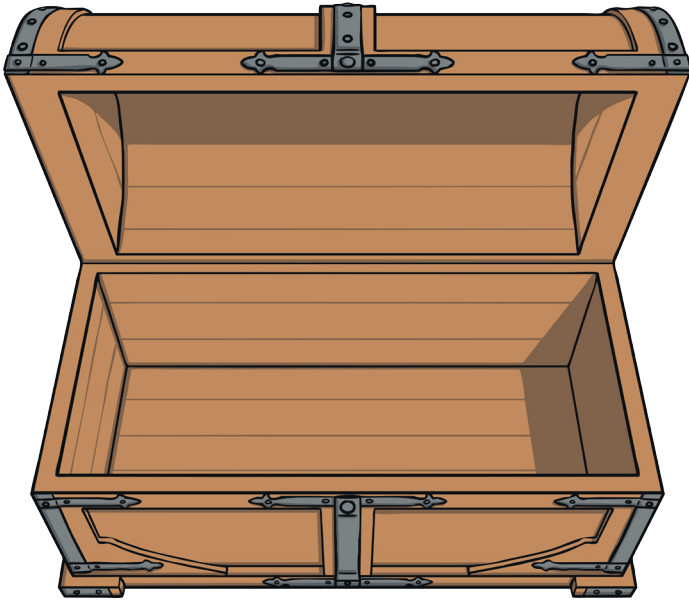
Half the Pirate Treasure



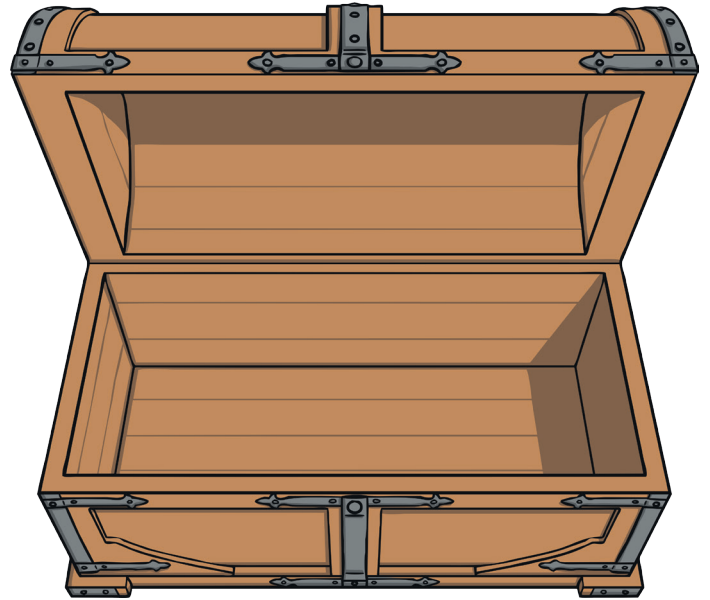
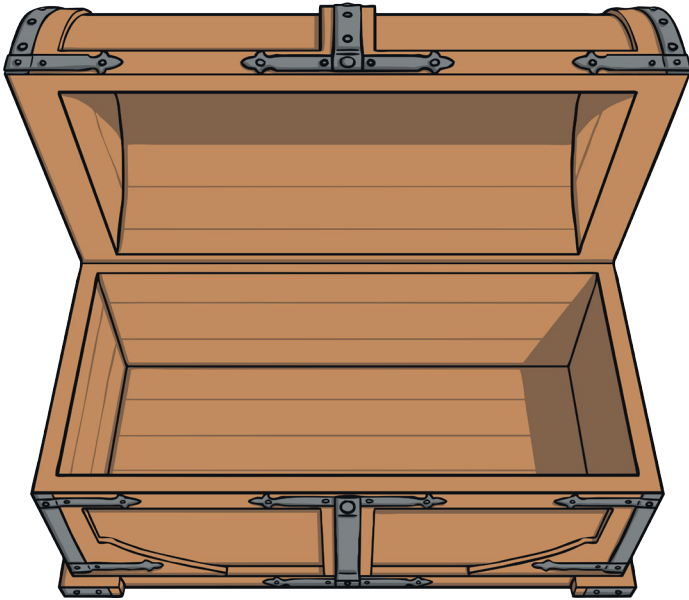
Half the Pirate Treasure



Half the Pirate Treasure



Half the Pirate Treasure



Half the Pirate Treasure

