

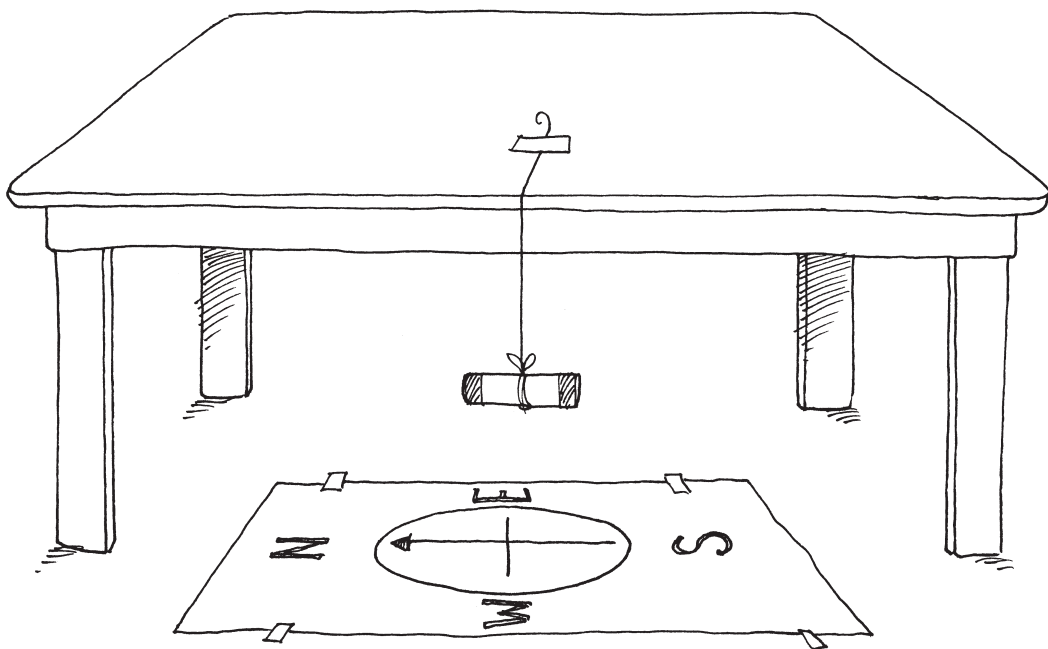
Extension

- A** Print these instructions onto lined paper, or plain paper with guidelines underneath.

How to Make a Compass

Equipment needed: a bar magnet, string, paper, tape

- 1 Tie one end of string around the magnet.*
- 2 Fix the string to the edge of the table.*
- 3 Draw a large circle marked N, S, W, E on the paper.*
- 4 Place the paper under the magnet.*
- 5 Turn the paper so that the magnet points to N.*
- 6 Tape the paper to the floor.*



- B** Use your compass to find out which way the classroom windows face.
- C** Give your instructions to a friend in another class. See if your friend can follow the instructions.

