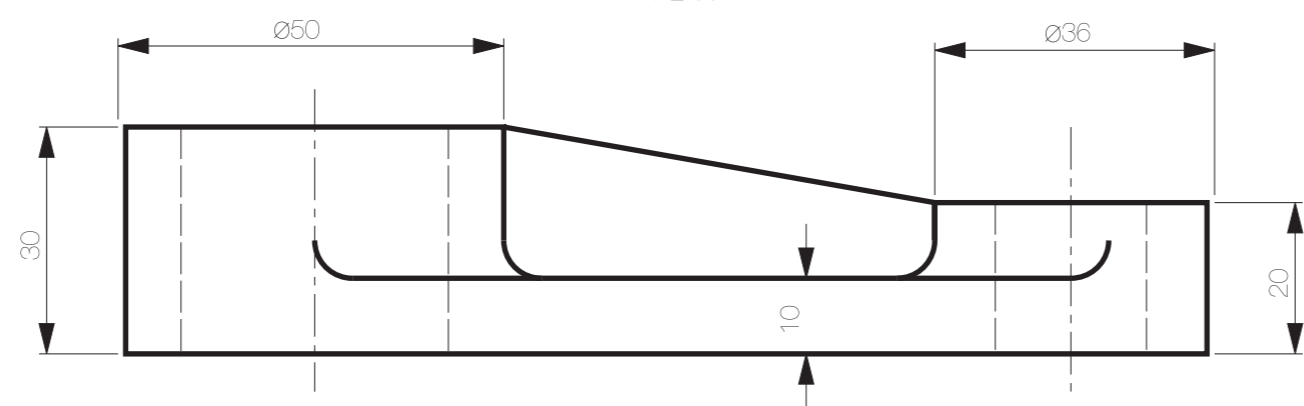


PLAN



FRONT ELEVATION



END ELEVATION



SECTIONAL FRONT ELEVATION ON C-C


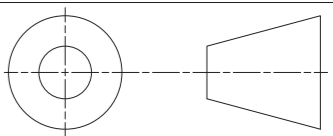


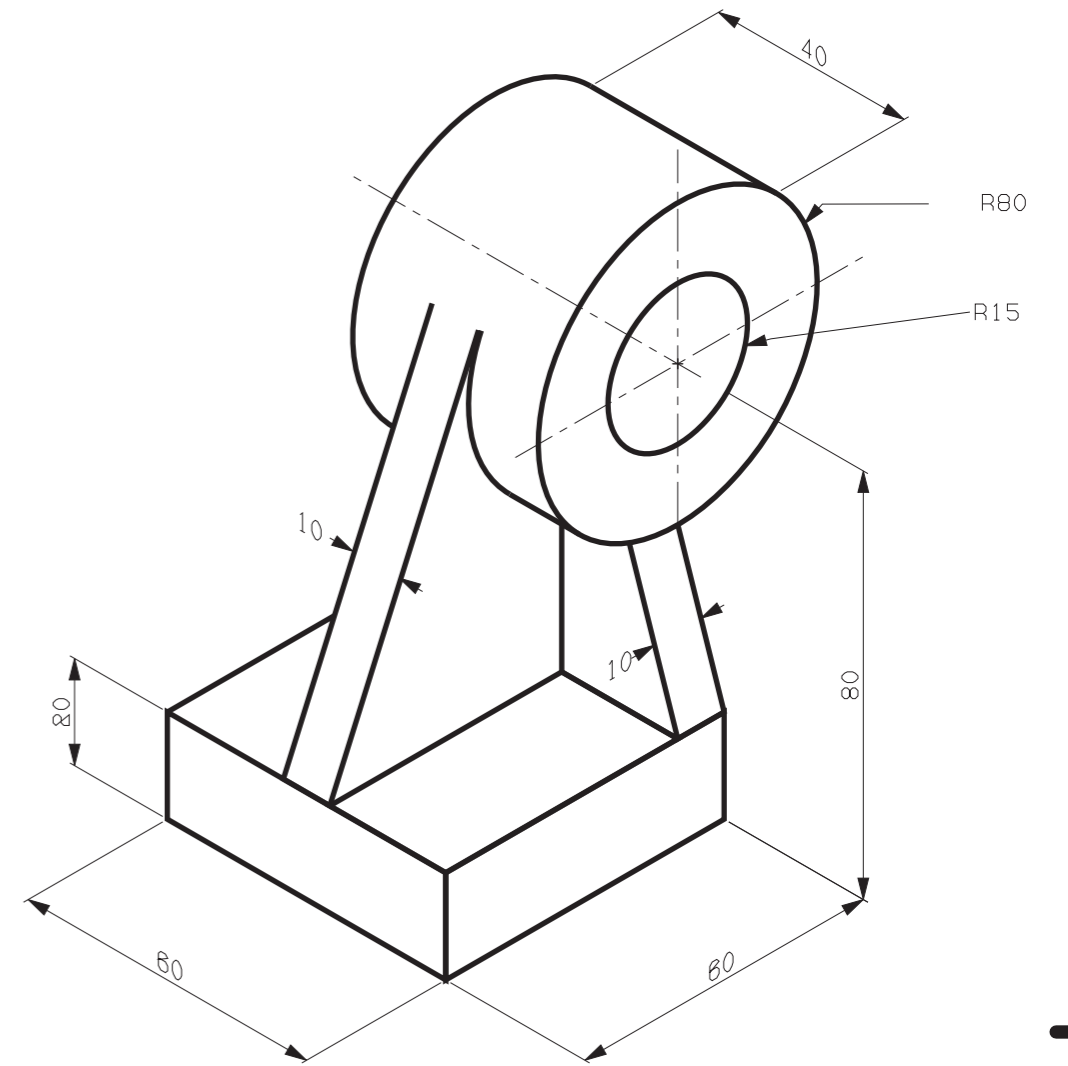
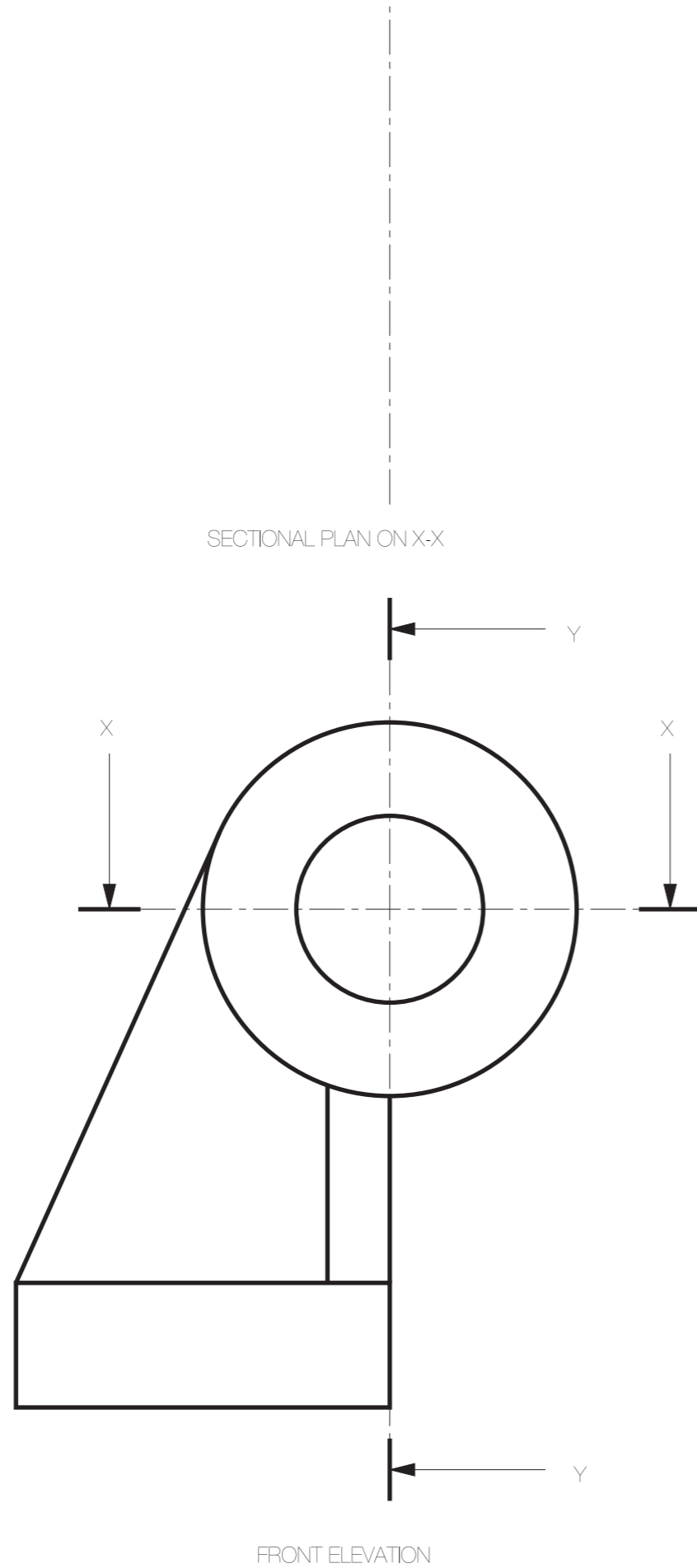
SECTIONAL END ELEVATION ON A-A

Create a manual orthographic drawing

Create a 3D CAD model from the drawing

Create a CAD orthographic drawing

DRAWING TITLE	SECTIONAL DRAWING PRACTICE I	
PROJECT TITLE	SECTIONS AND SECTIONAL DRAWING	
DRAWN BY		
COURSE	HIGHER GRAPHIC COMMUNICATION	
SCHOOL		
SCALE	NTS	 
DATE		
SHEET	1 / 8	
ALL SIZES IN MM DO NOT SCALE		


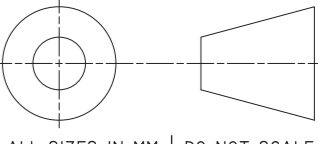


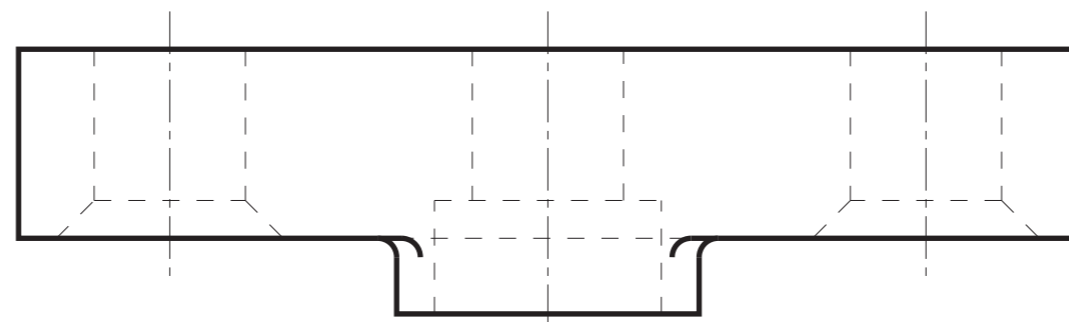
Create a manual orthographic drawing

Create a 3D CAD model from the drawing

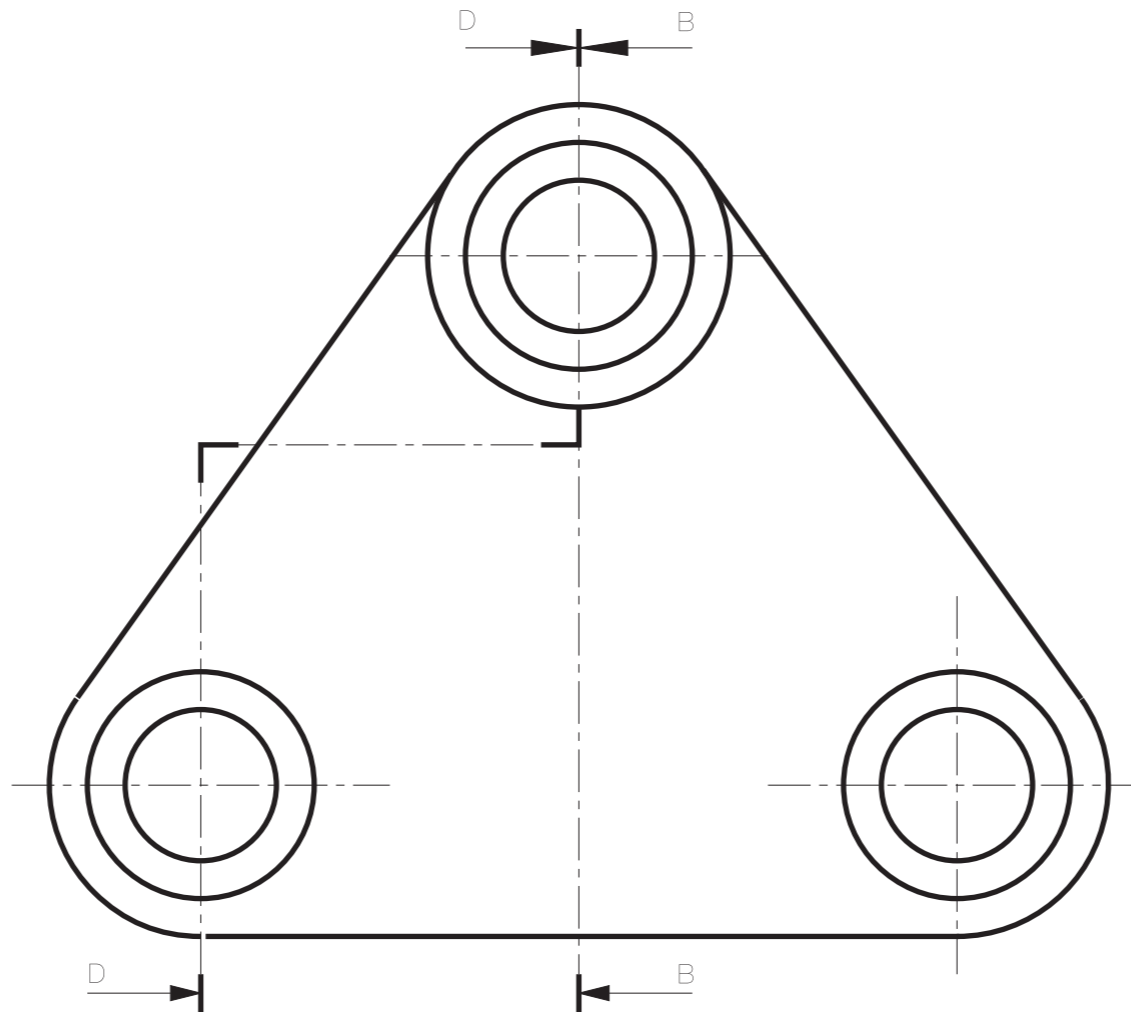
Create a CAD orthographic drawing

SECTIONAL END ON Y-Y

DRAWING TITLE	SECTIONAL DRAWING PRACTICE 2		
PROJECT TITLE	SECTIONS AND SECTIONAL DRAWING		
DRAWN BY			
COURSE	HIGHER GRAPHIC COMMUNICATION		
SCHOOL			
SCALE	NTS		
DATE			
SHEET	2 / 8		
ALL SIZES IN MM DO NOT SCALE			



PLAN




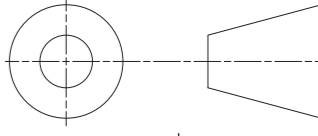
FRONT ELEVATION

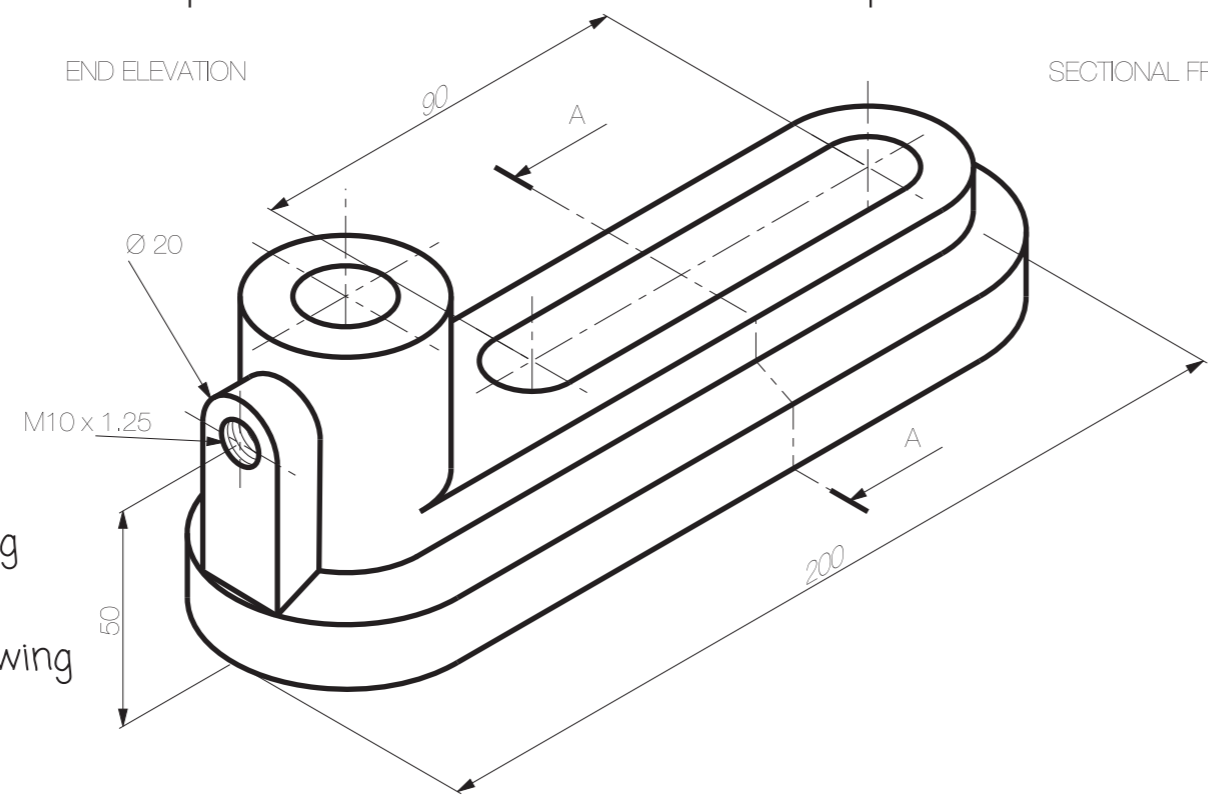
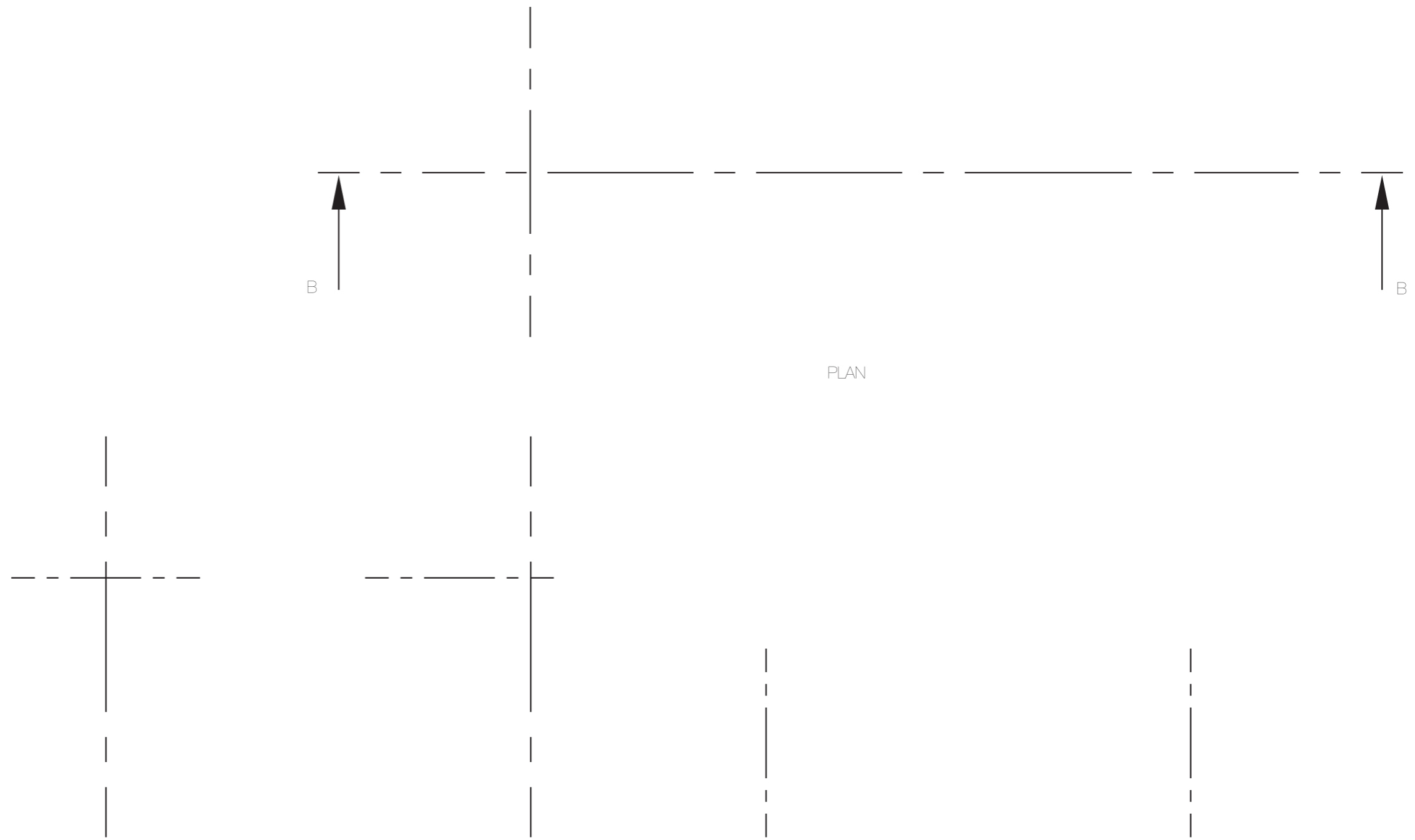
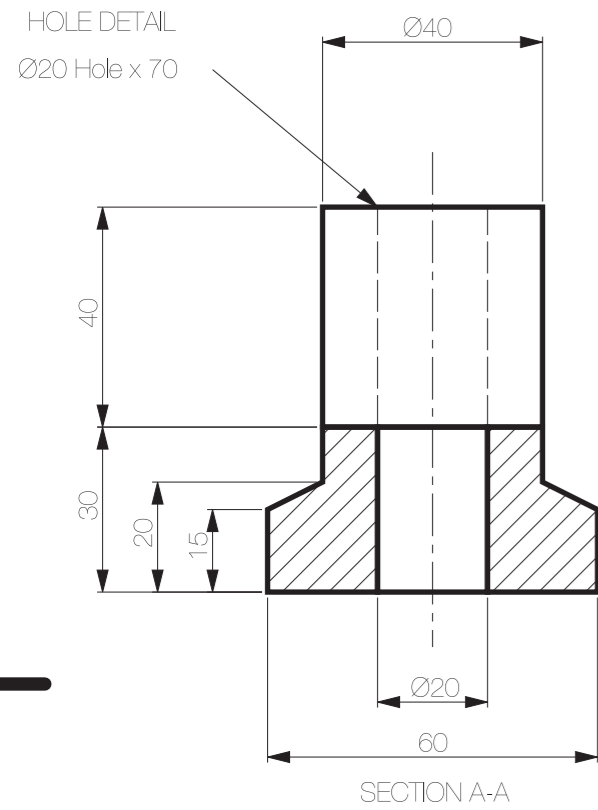
SECTIONAL END ON D-D

SECTIONAL END ON B-B

Create a manual orthographic drawing
Measure & dimension the drawing to BS8888

Create a 3D CAD model from the drawing
Create a CAD orthographic drawing


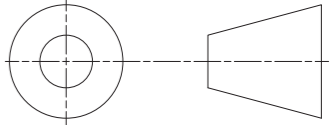
DRAWING TITLE	SECTIONAL DRAWING PRACTICE 3	
PROJECT TITLE	SECTIONS AND SECTIONAL DRAWING	
DRAWN BY		
COURSE	HIGHER GRAPHIC COMMUNICATION	
SCHOOL		
SCALE	NTS	 
DATE		
SHEET	3 / 8	
ALL SIZES IN MM DO NOT SCALE		

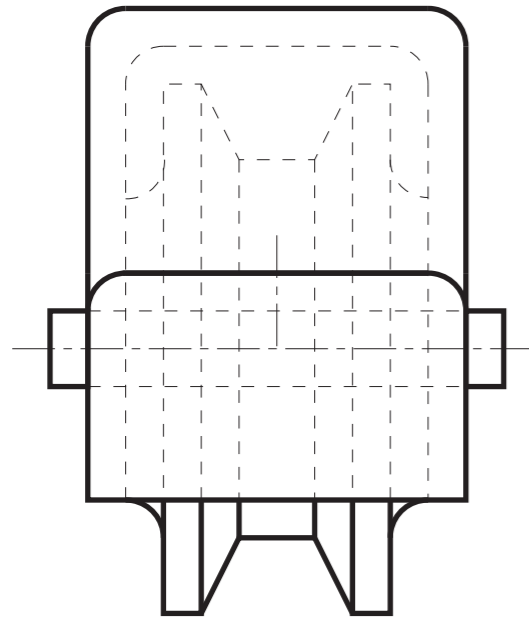


Create a manual orthographic drawing

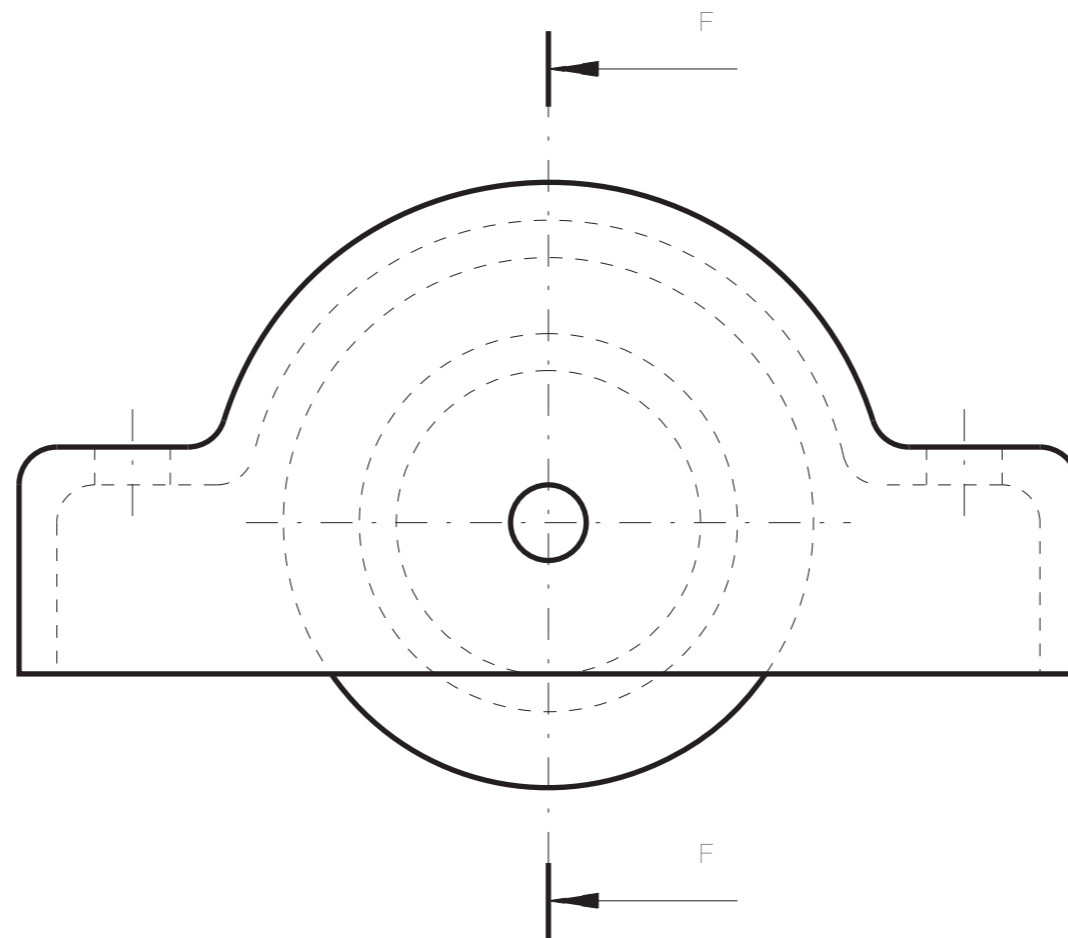
Create a 3D CAD model from the drawing

Create a CAD orthographic drawing

DRAWING TITLE	SECTIONAL DRAWING PRACTICE 4	
PROJECT TITLE	SECTIONS AND SECTIONAL DRAWING	
DRAWN BY		
COURSE	HIGHER GRAPHIC COMMUNICATION	
SCHOOL		
SCALE	NTS	 
DATE		
SHEET	4 / 8	
ALL SIZES IN MM DO NOT SCALE		



END ELEVATION



FRONT ELEVATION


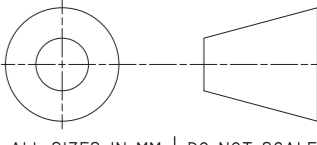
PLAN

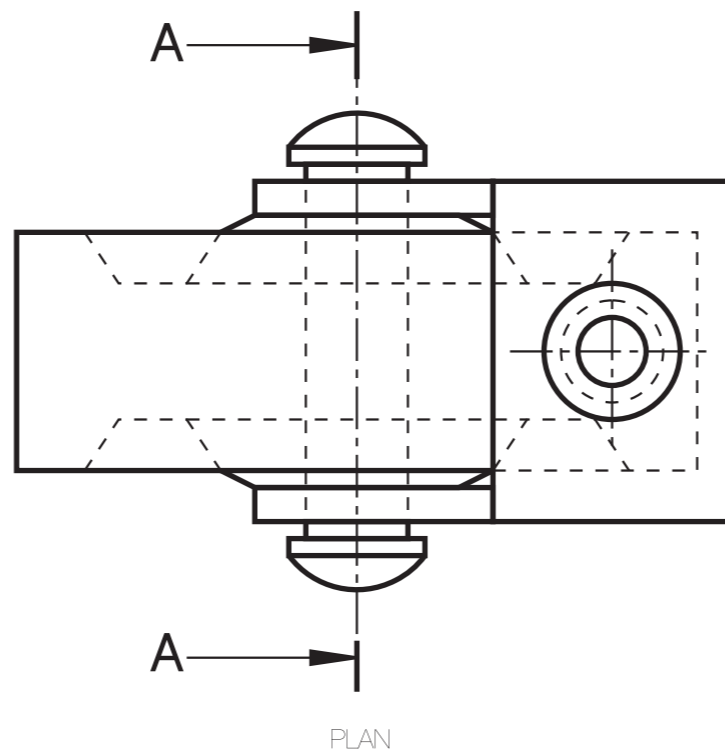


SECTIONAL END ON F-F

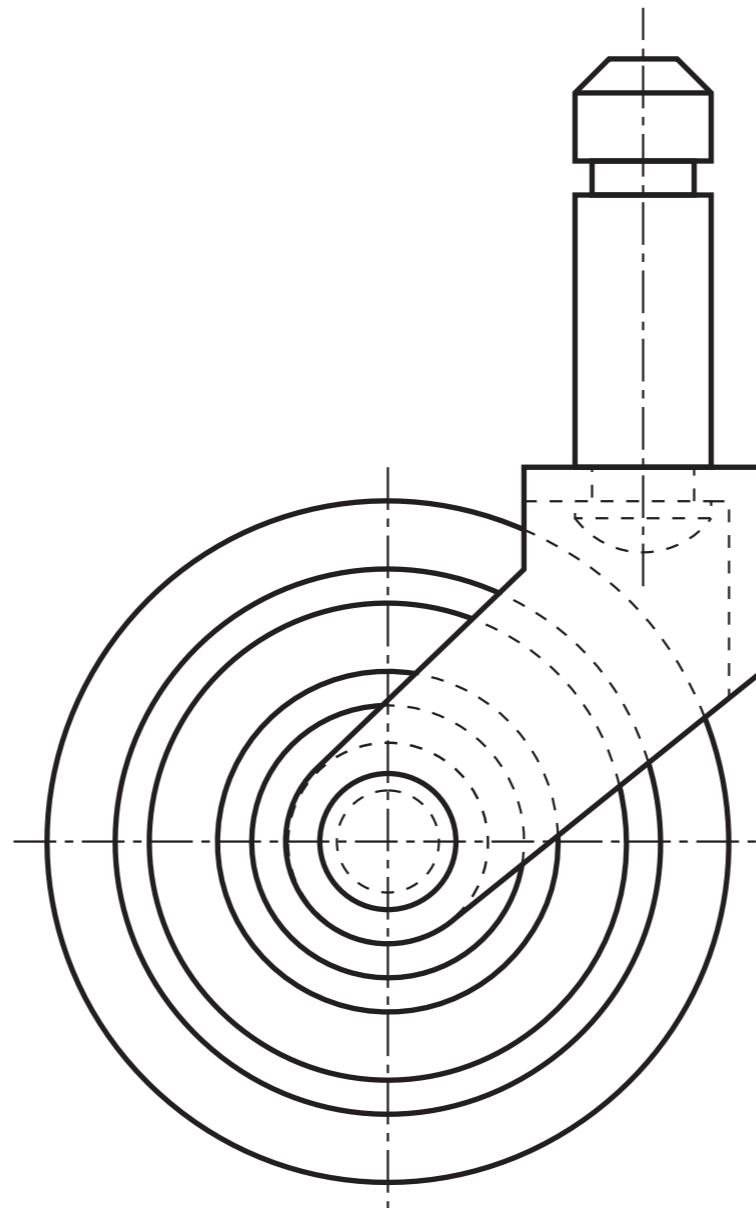
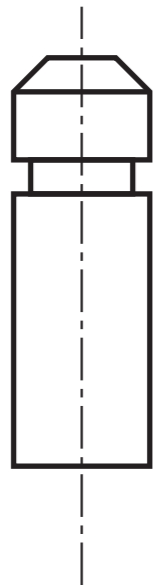
Create a manual orthographic drawing
Measure & dimension the drawing to BS8888

Create a 3D CAD model from the drawing
Create a CAD orthographic drawing

DRAWING TITLE		SECTIONAL DRAWING PRACTICE 5	
PROJECT TITLE		SECTIONS AND SECTIONAL DRAWING	
DRAWN BY			
COURSE		HIGHER GRAPHIC COMMUNICATION	
SCHOOL			
SCALE	NTS	 	ALL SIZES IN MM DO NOT SCALE
DATE			
SHEET	5 / 8		



PLAN


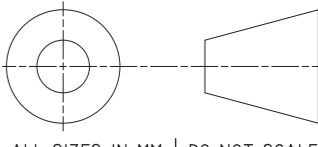


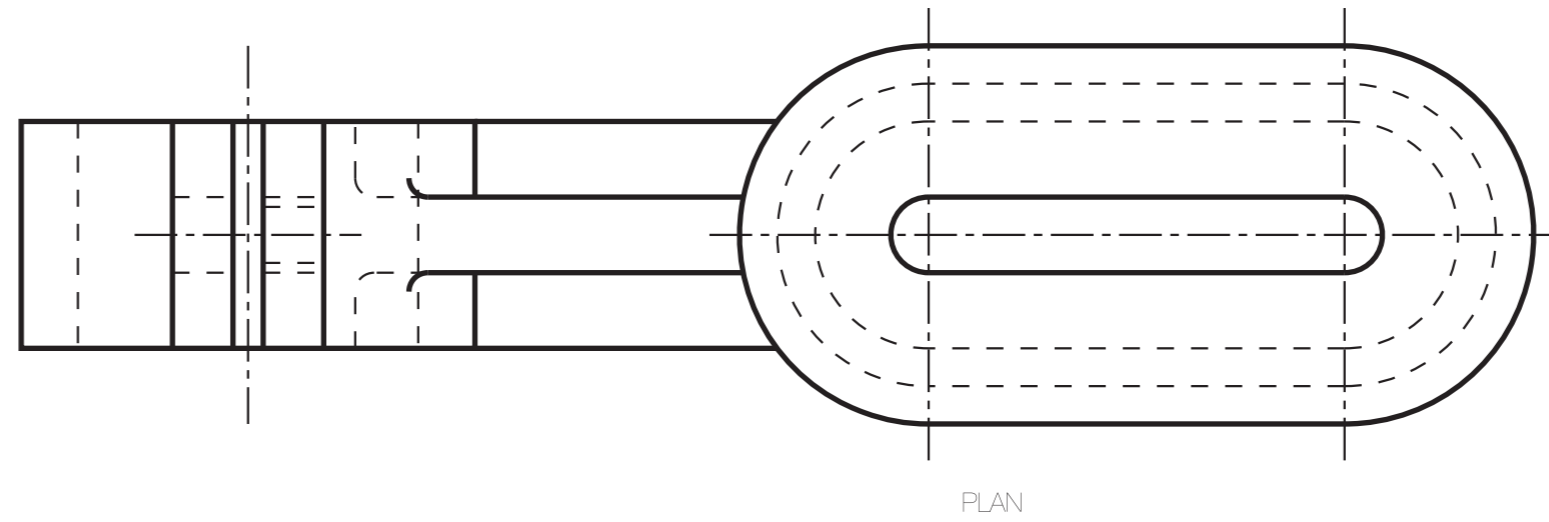
FRONT ELEVATION

SECTIONAL END ON A-A

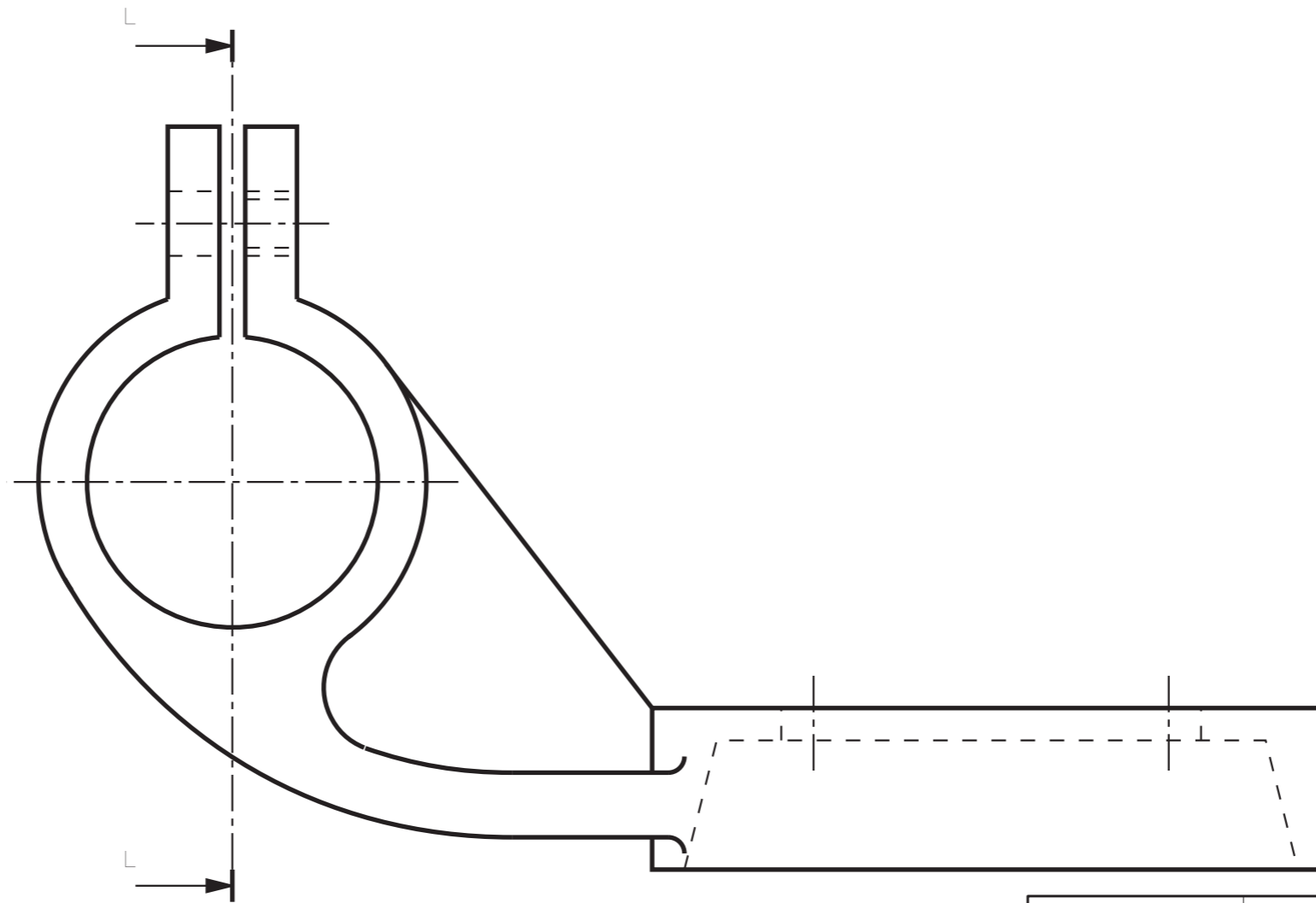
Create a manual orthographic drawing
Measure & dimension the drawing to BS8888

Create a 3D CAD model from the drawing
Create a CAD orthographic drawing

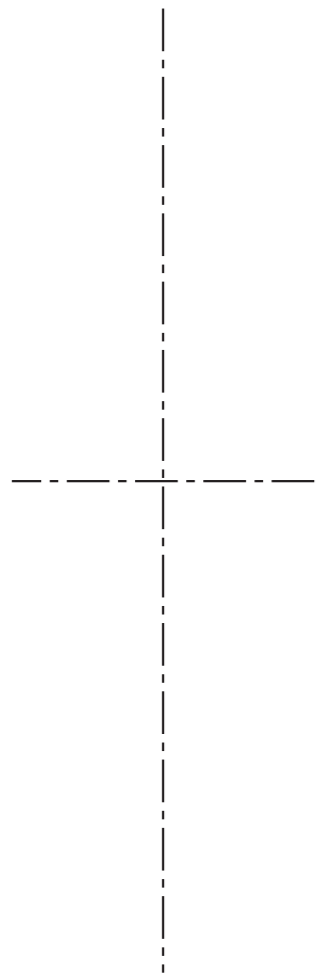
DRAWING TITLE	SECTIONAL DRAWING PRACTICE 6	
PROJECT TITLE	SECTIONS AND SECTIONAL DRAWING	
DRAWN BY		
COURSE	HIGHER GRAPHIC COMMUNICATION	
SCHOOL		
SCALE	NTS	 
DATE		
SHEET	6 / 8	
ALL SIZES IN MM DO NOT SCALE		



PLAN




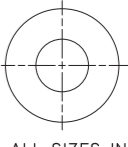
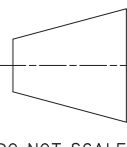
FRONT ELEVATION

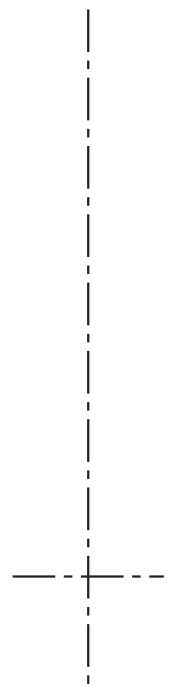
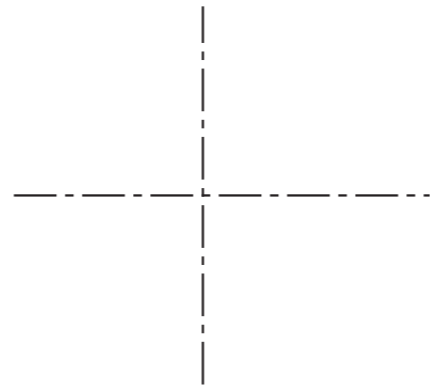


SECTIONAL END ON L-L

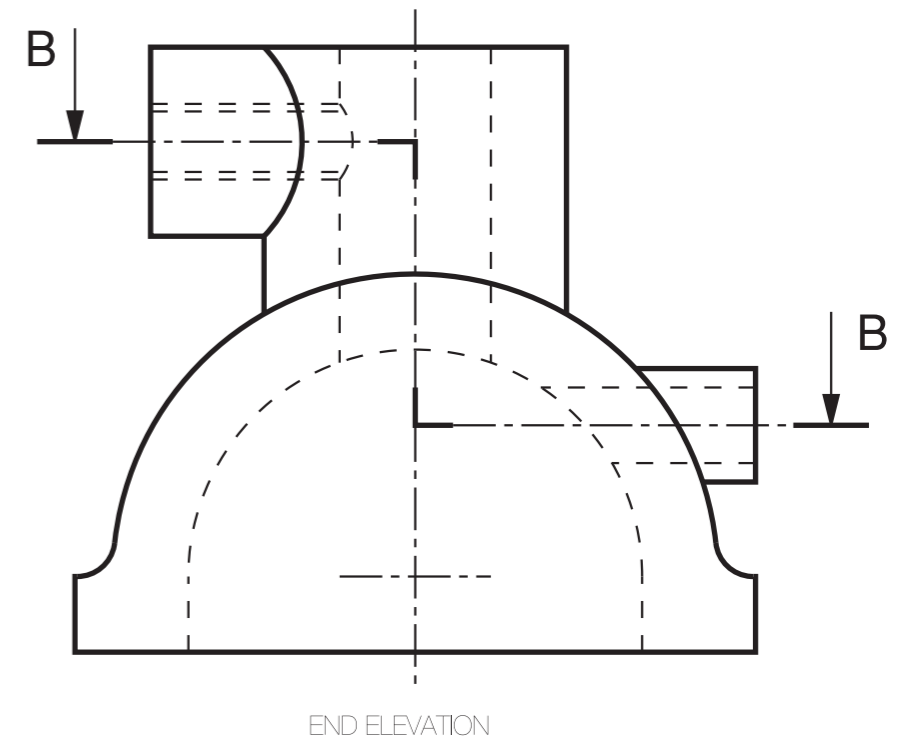
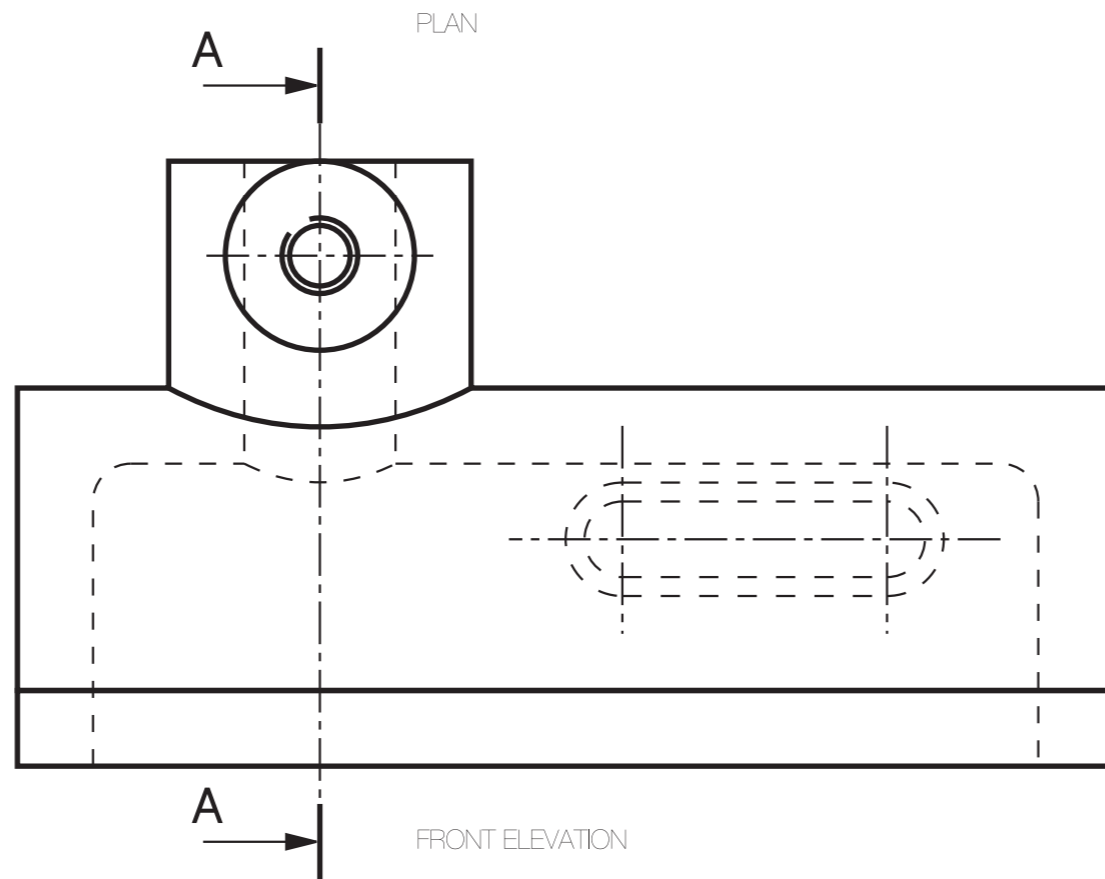
Create a manual orthographic drawing
Measure & dimension the drawing to BS8888

Create a 3D CAD model from the drawing
Create a CAD orthographic drawing

DRAWING TITLE		SECTIONAL DRAWING PRACTICE 7	
PROJECT TITLE		SECTIONS AND SECTIONAL DRAWING	
DRAWN BY			
COURSE		HIGHER GRAPHIC COMMUNICATION	
SCHOOL			
SCALE	NTS	  	ALL SIZES IN MM DO NOT SCALE
DATE			
SHEET	7 / 8		



SECTIONAL END ON A-A



Create a manual orthographic drawing
Measure & dimension the drawing to BS8888

Create a 3D CAD model from the drawing
Create a CAD orthographic drawing

DRAWING TITLE	SECTIONAL DRAWING PRACTICE 8		
PROJECT TITLE	SECTIONS AND SECTIONAL DRAWING		
DRAWN BY			
COURSE	HIGHER GRAPHIC COMMUNICATION		
SCHOOL			
SCALE	NTS		
DATE			
SHEET	8 / 8		
		ALL SIZES IN MM DO NOT SCALE	