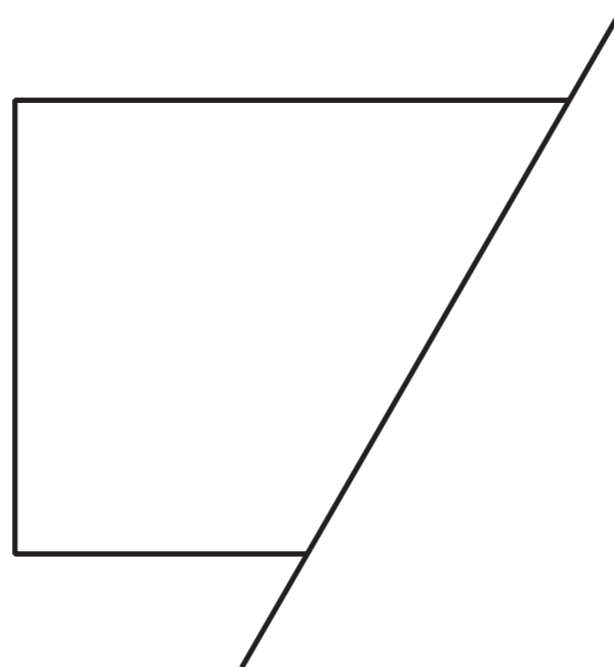


END ELEVATION

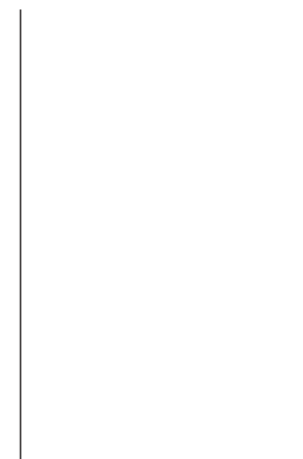


PLAN



FRONT ELEVATION


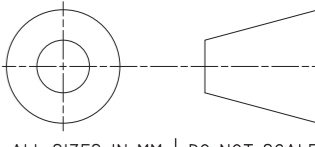
SURFACE DEVELOPMENT

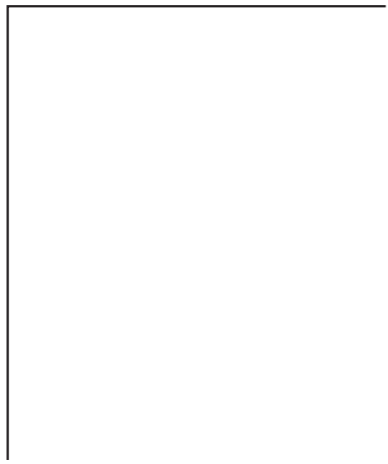


Two views of a triangular prism intersecting a sloped surface are shown.

- a) Draw the plan
- b) Construct the Surface Development of the triangular prism.

Create a 3D CAD model from the drawing
 Create a CAD orthographic drawing

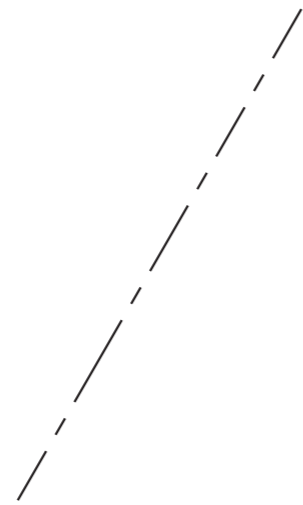
DRAWING TITLE	INTERSECTION PRACTICE I		
PROJECT TITLE	INTERSECTIONS		
DRAWN BY			
COURSE	HIGHER GRAPHIC COMMUNICATION		
SCHOOL			
SCALE	NTS	 	<small>ALL SIZES IN MM DO NOT SCALE</small>
DATE			
SHEET	1 / 10		



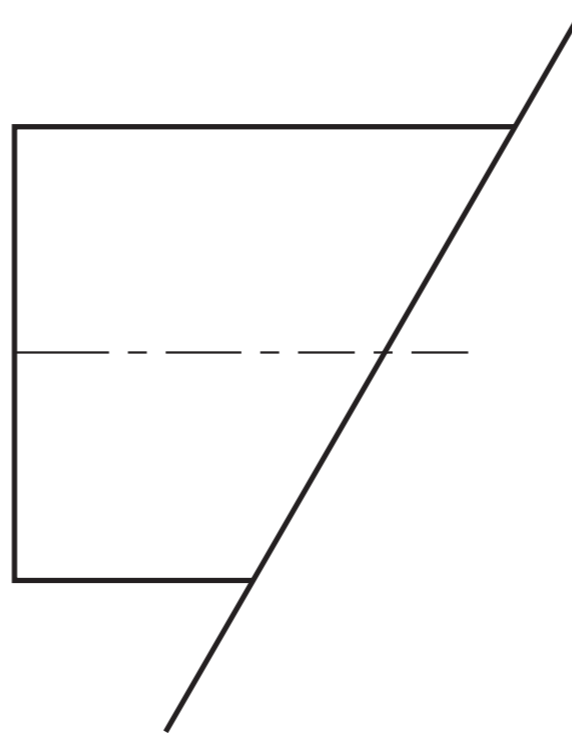
SURFACE DEVELOPMENT



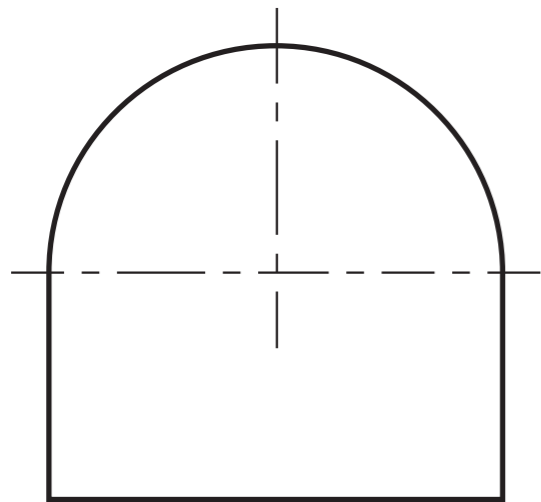
PLAN



TRUE SHAPE



FRONT ELEVATION



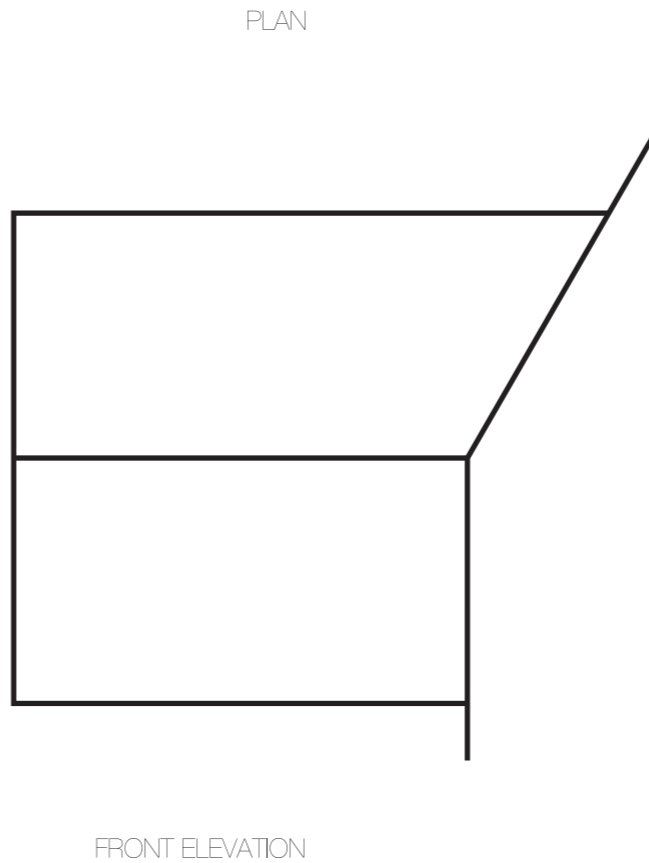
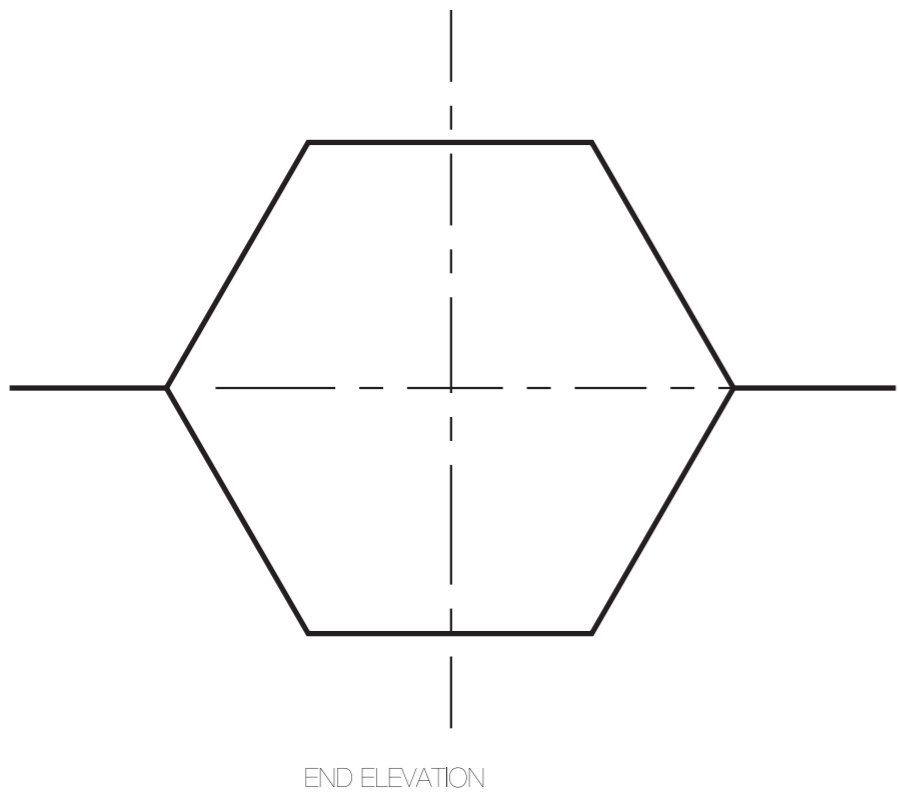
END ELEVATION

Two views of a prism intersecting a sloped surface are shown.

- a) Draw the plan
- b) Construct the Surface Development of the prism.
- c) Draw the True Shape of the prism

Create a 3D CAD model from the drawing
Create a CAD orthographic drawing

DRAWING TITLE	INTERSECTION PRACTICE 2		
PROJECT TITLE	INTERSECTIONS		
DRAWN BY			
COURSE	HIGHER GRAPHIC COMMUNICATION		
SCHOOL			
SCALE	NTS		
DATE			
SHEET	2 / 10		
		ALL SIZES IN MM DO NOT SCALE	



Two views of a prism intersecting a sloped surface are shown.

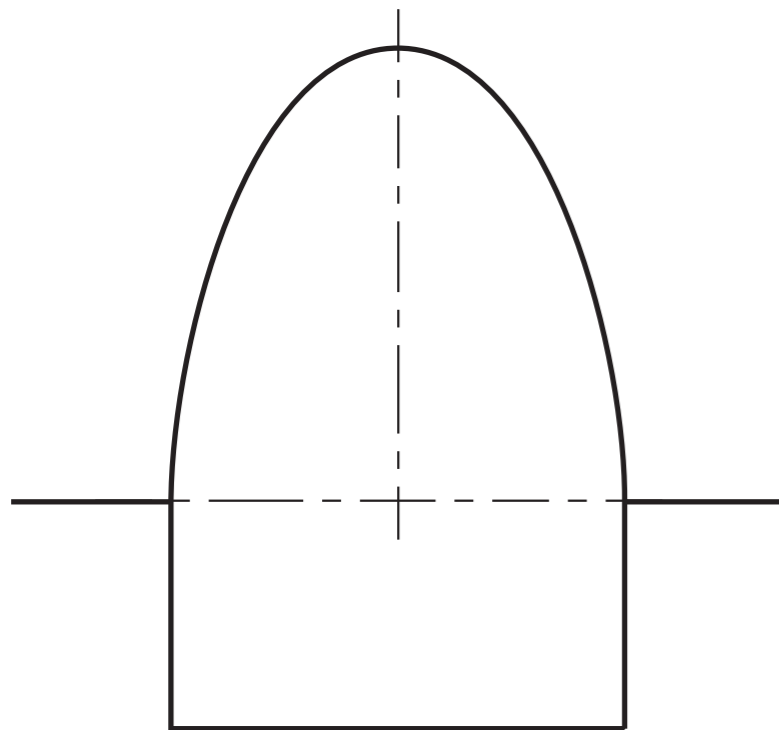
- a) Draw the plan
- b) Construct the Surface Development of the prism.

Create a 3D CAD model from the drawing
 Create a CAD orthographic drawing

DRAWING TITLE		INTERSECTION PRACTICE 3	
PROJECT TITLE		INTERSECTIONS	
DRAWN BY			
COURSE		HIGHER GRAPHIC COMMUNICATION	
SCHOOL			
SCALE	NTS		
DATE			
SHEET	3 / 10		
ALL SIZES IN MM DO NOT SCALE			



PLAN

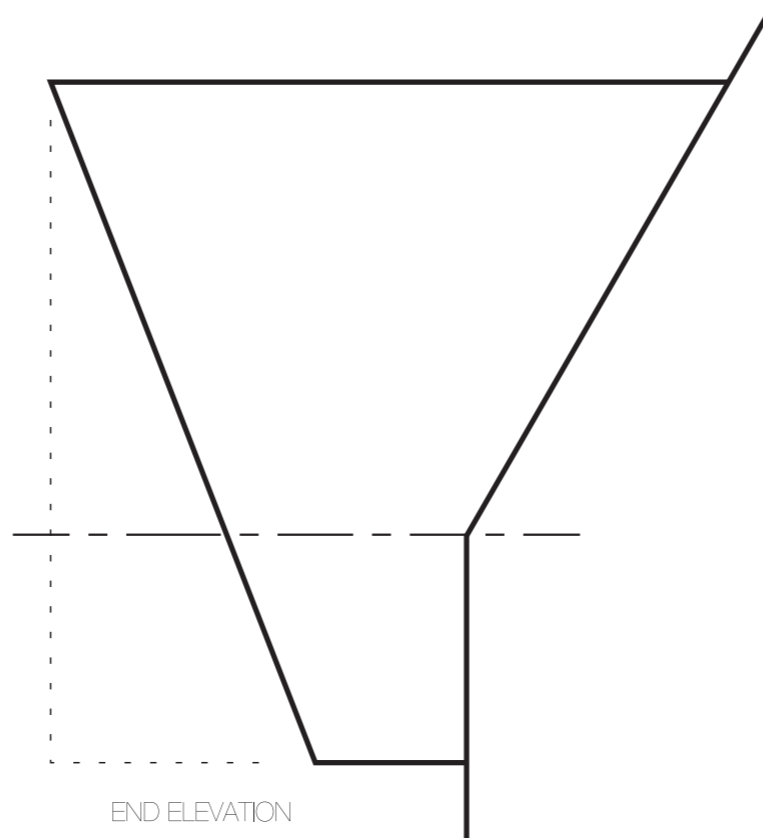


FRONT ELEVATION

Two views of a prism intersecting a sloped surface are shown.


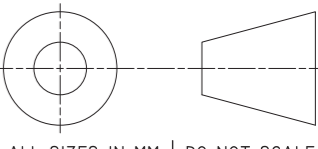
- a) Draw the plan
- b) Construct the Surface Development of the prism.

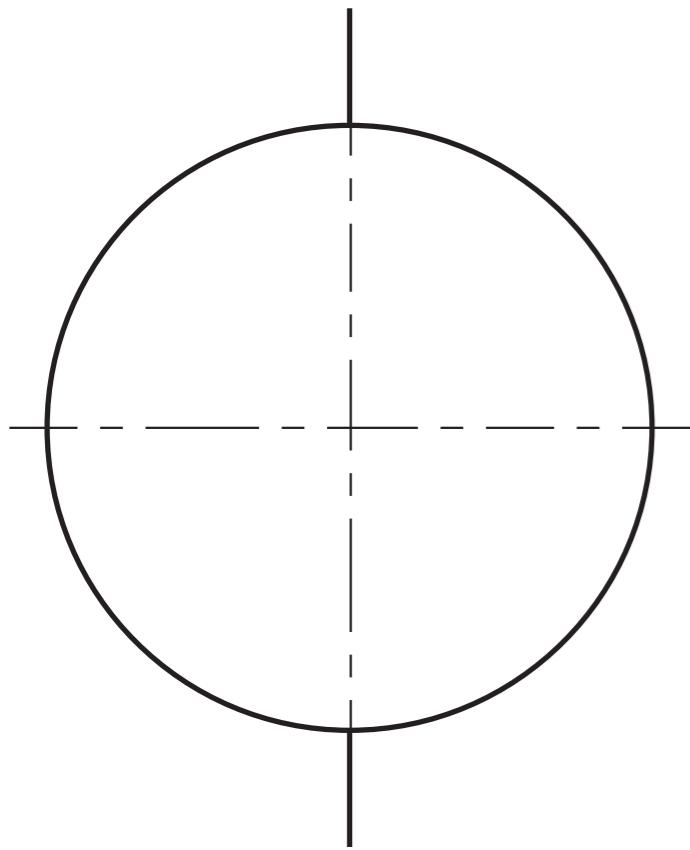
Create a 3D CAD model from the drawing
Create a CAD orthographic drawing



END ELEVATION

SURFACE DEVELOPMENT

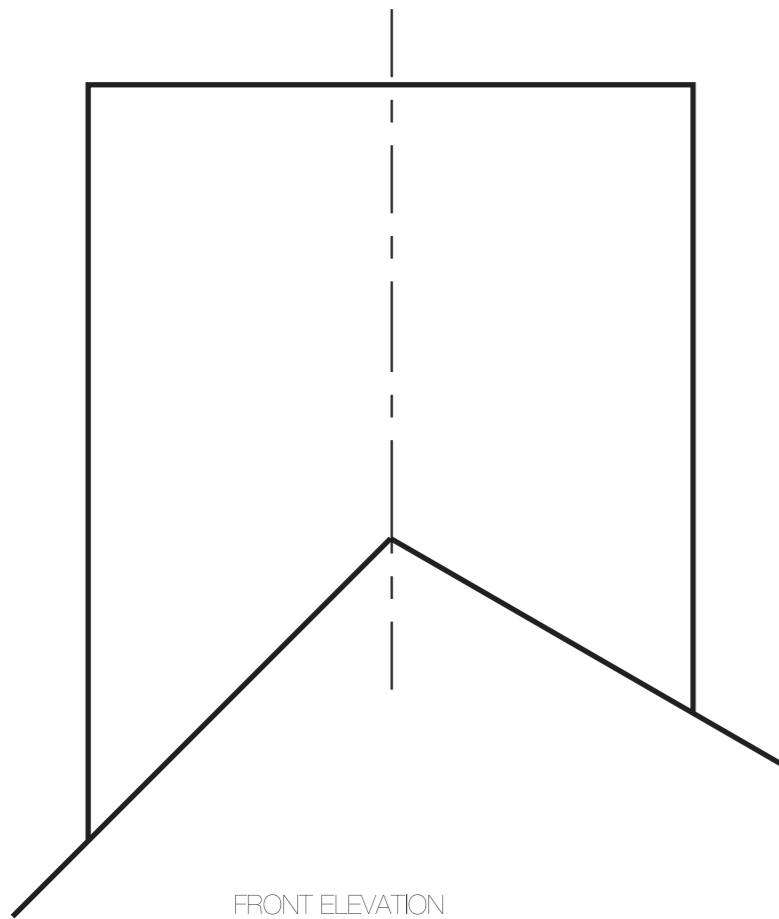
DRAWING TITLE	INTERSECTION PRACTICE 4		
PROJECT TITLE	INTERSECTIONS		
DRAWN BY			
COURSE	HIGHER GRAPHIC COMMUNICATION		
SCHOOL			
SCALE	NTS		
DATE			
SHEET	4 / 10		
ALL SIZES IN MM DO NOT SCALE			



PLAN



SURFACE DEVELOPMENT



FRONT ELEVATION


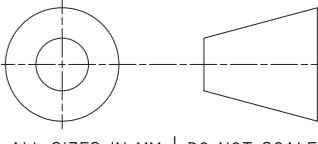


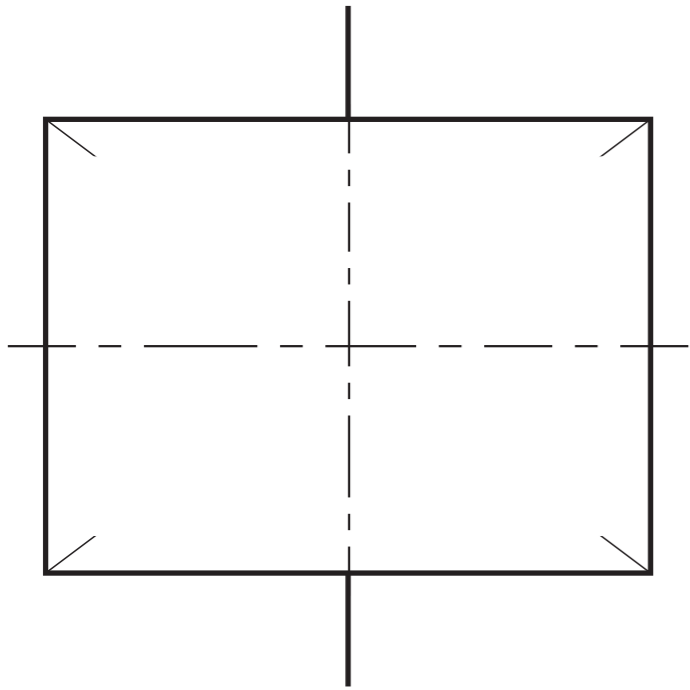
END ELEVATION

Two views of a cylinder intersecting a sloped surface are shown.

- a) Draw the plan, showing hidden detail;
- b) Draw the end elevation, showing hidden detail;
- c) Construct the Surface Development of the cylinder.

Create a 3D CAD model from the drawing
Create a CAD orthographic drawing

DRAWING TITLE	INTERSECTION PRACTICE 5	
PROJECT TITLE	INTERSECTIONS	
DRAWN BY		
COURSE	HIGHER GRAPHIC COMMUNICATION	
SCHOOL		
SCALE	NTS	 
DATE		
SHEET	5 / 10	
ALL SIZES IN MM DO NOT SCALE		



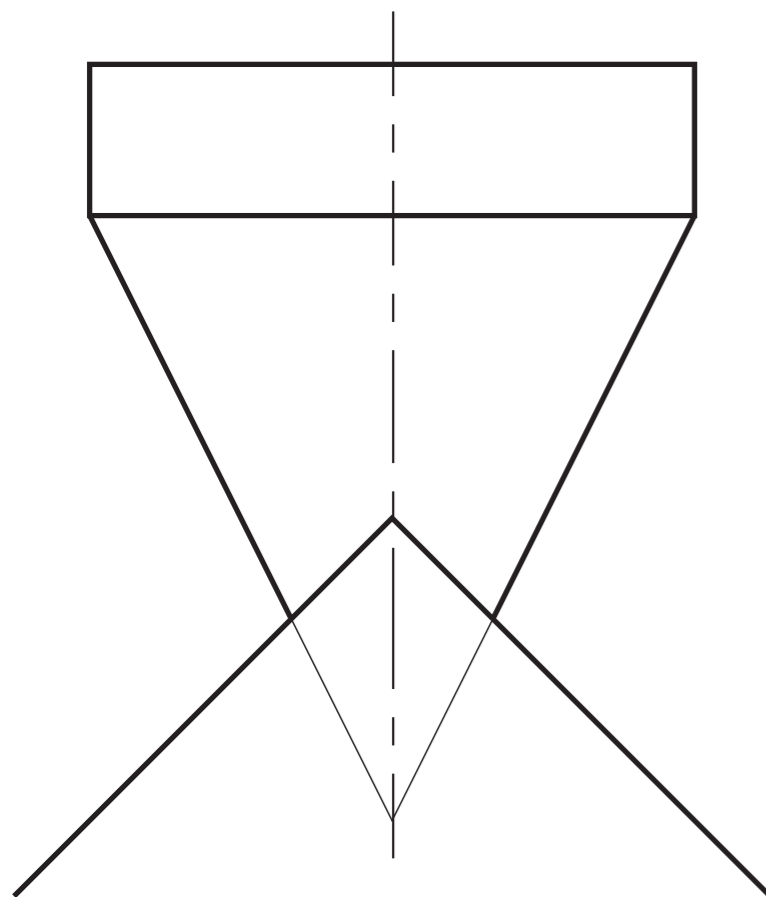
PLAN

Two views of a prism joining with a sloped surface are shown.

- a) Complete the Plan of the two parts;
- b) Draw the End Elevation of the prism;
- c) Construct the Surface Development of the prism.

Create a 3D CAD model from the drawing
Create a CAD orthographic drawing

+


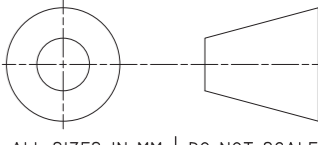


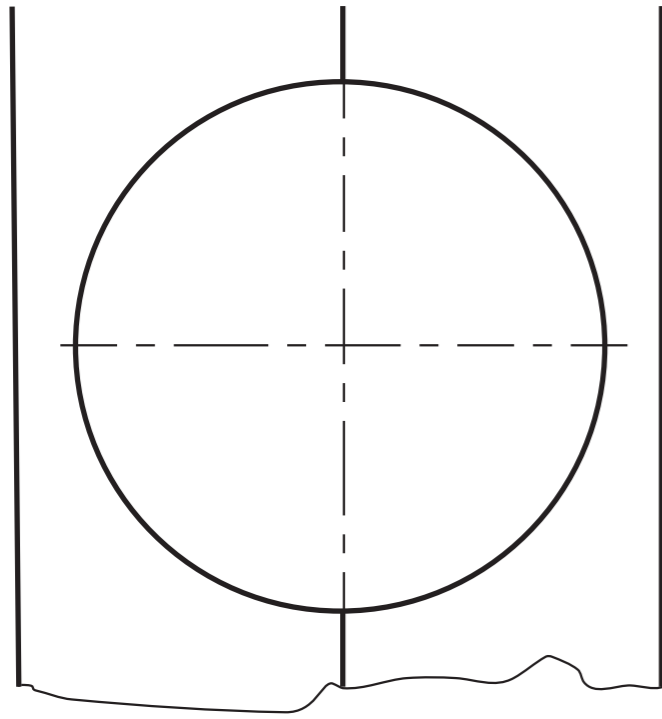
FRONT ELEVATION



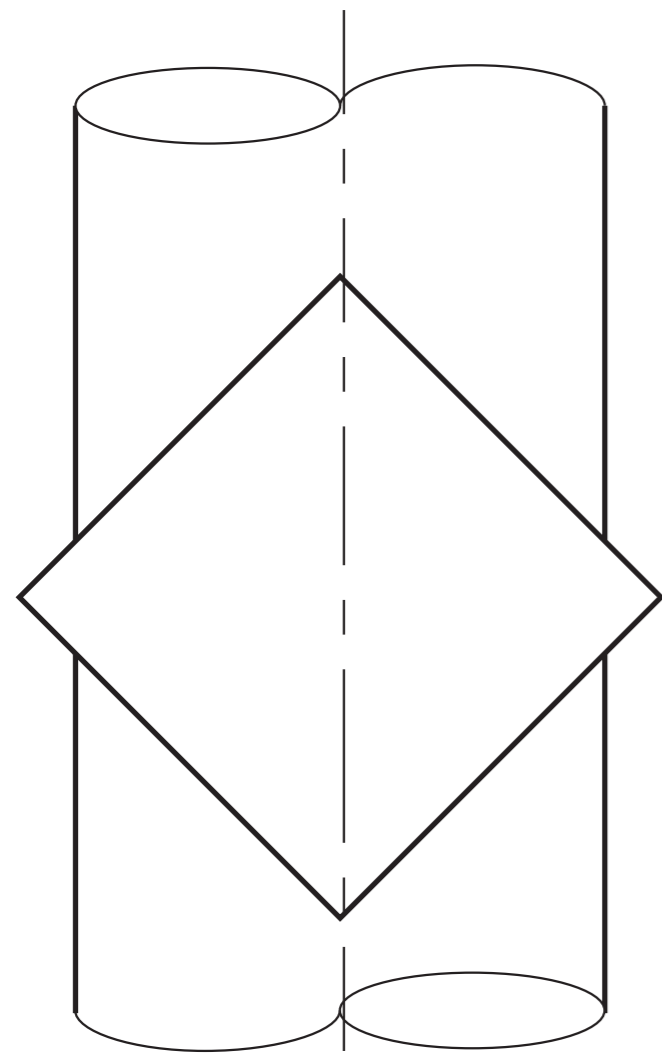
END ELEVATION

SURFACE DEVELOPMENT

DRAWING TITLE	INTERSECTION PRACTICE 6	
PROJECT TITLE	INTERSECTIONS	
DRAWN BY		
COURSE	HIGHER GRAPHIC COMMUNICATION	
SCHOOL		
SCALE	NTS	 
DATE		
SHEET	6 / 10	
ALL SIZES IN MM DO NOT SCALE		



PLAN



FRONT ELEVATION




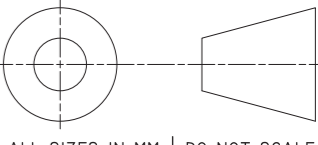
END ELEVATION

HALF SURFACE DEVELOPMENT OF SQUARE PIPE

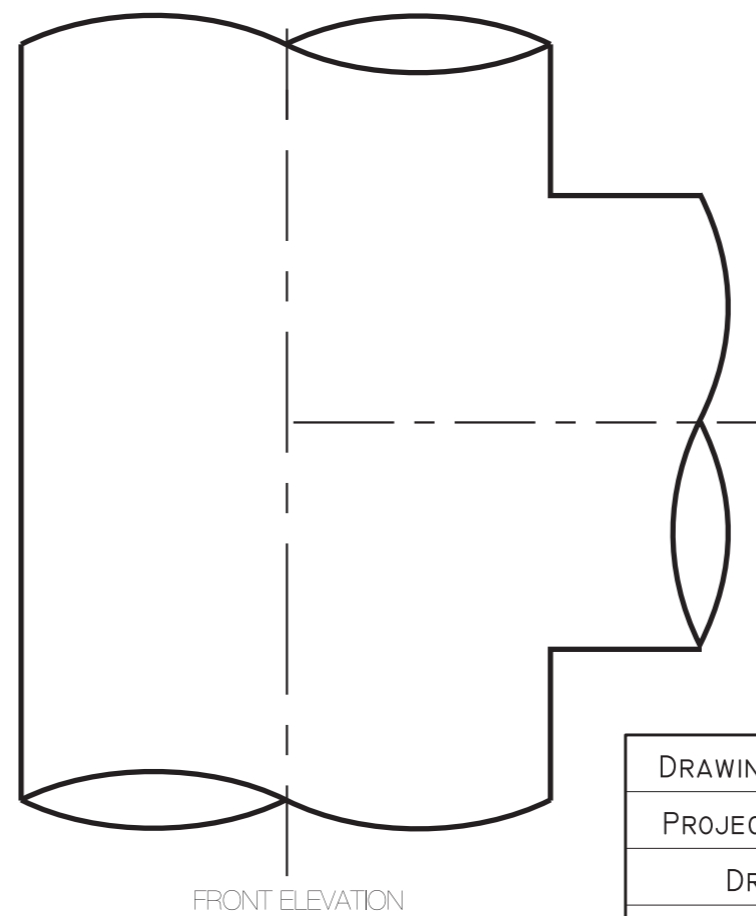
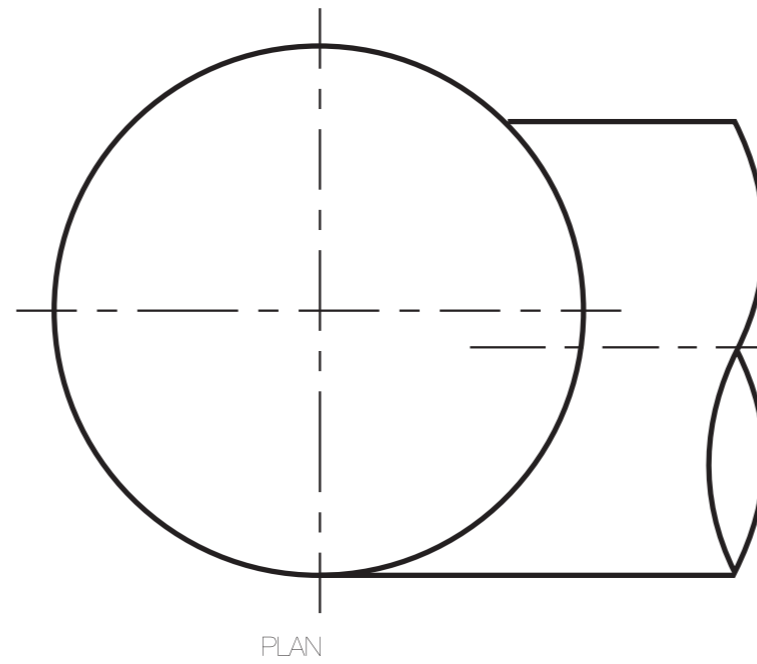
Two views of a cylinder intersecting a square pipe are shown.

- a) Draw the end elevation
- b) Construct the Surface Development of the square pipe.

Create a 3D CAD model from the drawing
Create a CAD orthographic drawing

DRAWING TITLE	INTERSECTION PRACTICE 7	
PROJECT TITLE	INTERSECTIONS	
DRAWN BY		
COURSE	HIGHER GRAPHIC COMMUNICATION	
SCHOOL		
SCALE	NTS	
DATE		
SHEET	7 / 10	
		
ALL SIZES IN MM DO NOT SCALE		

SURFACE DEVELOPMENT OF SMALL PIPE



SURFACE DEVELOPMENT OF LARGE PIPE

Two views of two cylinders intersecting are shown.

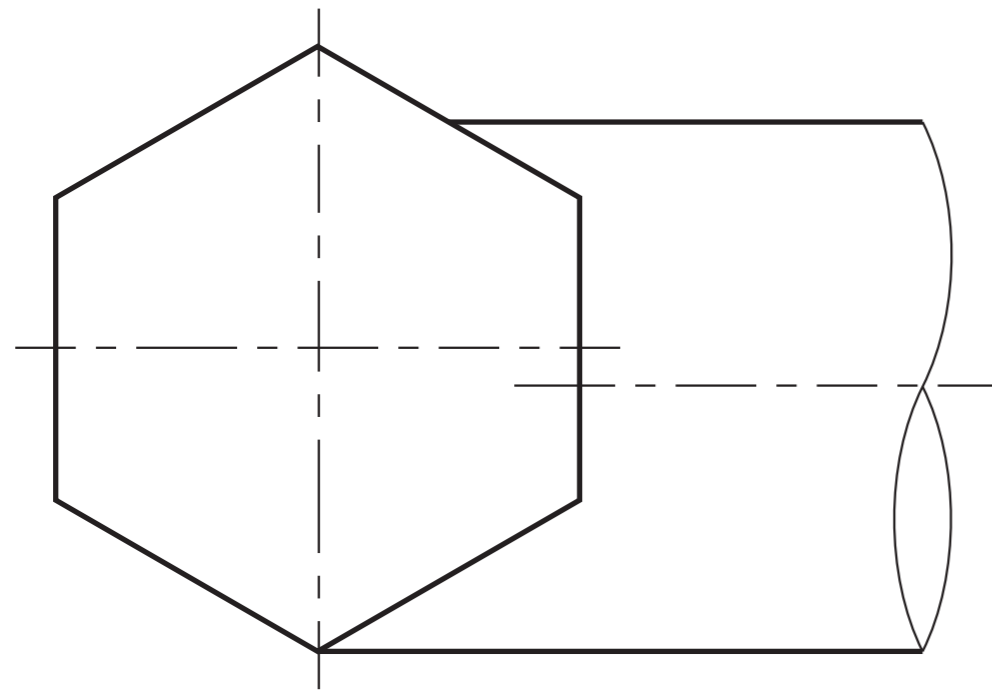
- a) Complete the elevation, showing hidden detail;
- b) Construct the Surface Developments

Create a 3D CAD model from the drawing
Create a CAD orthographic drawing

DRAWING TITLE	INTERSECTION PRACTICE 8	
PROJECT TITLE	INTERSECTIONS	
DRAWN BY		
COURSE	HIGHER GRAPHIC COMMUNICATION	
SCHOOL		
SCALE	NTS	
DATE		
SHEET	8 / 10	
		ALL SIZES IN MM DO NOT SCALE

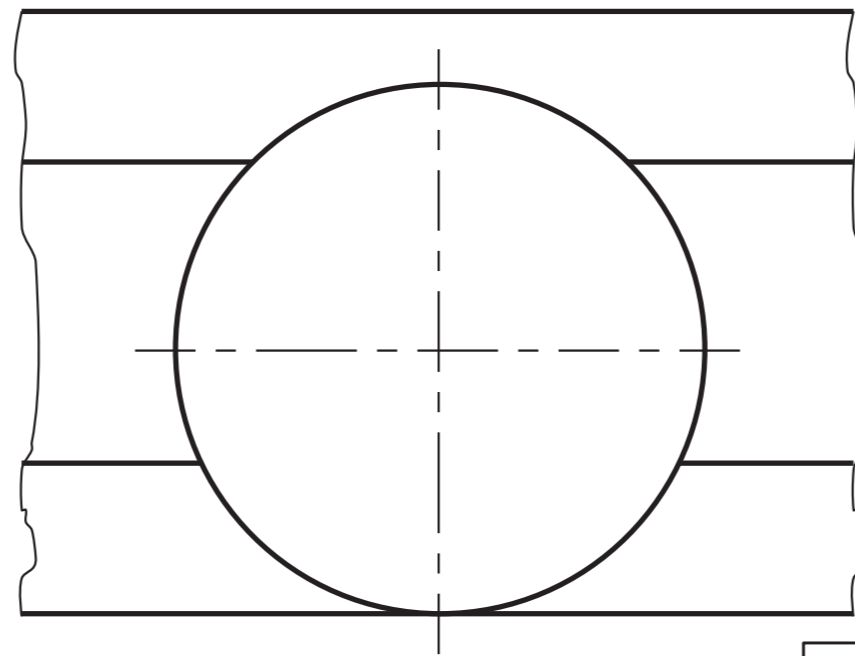


PLAN



FRONT ELEVATION

SURFACE DEVELOPMENT


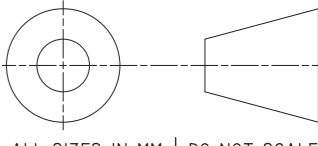


END ELEVATION

Two views of a cylinder intersecting a hexagonal prism are shown.

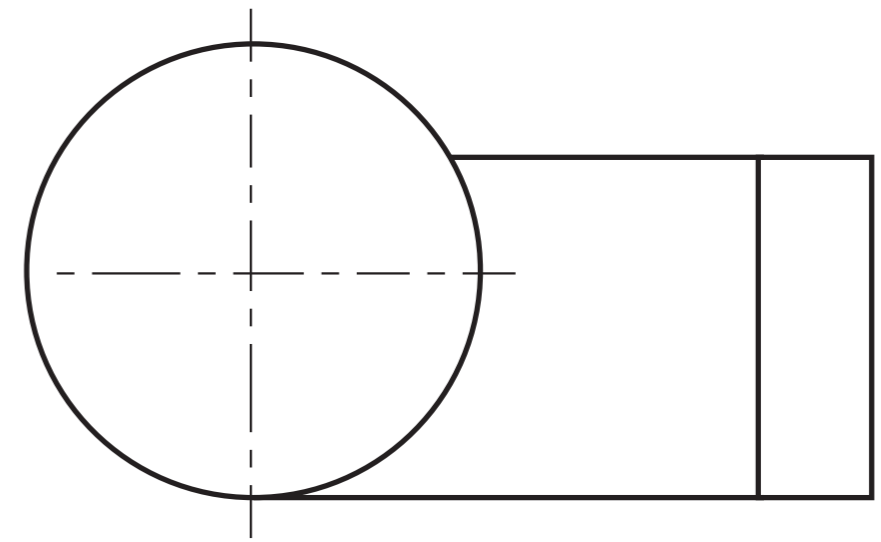
- a) Draw the plan, showing hidden detail;
- b) Construct the Surface Development of the cylinder

Create a 3D CAD model from the drawing
 Create a CAD orthographic drawing

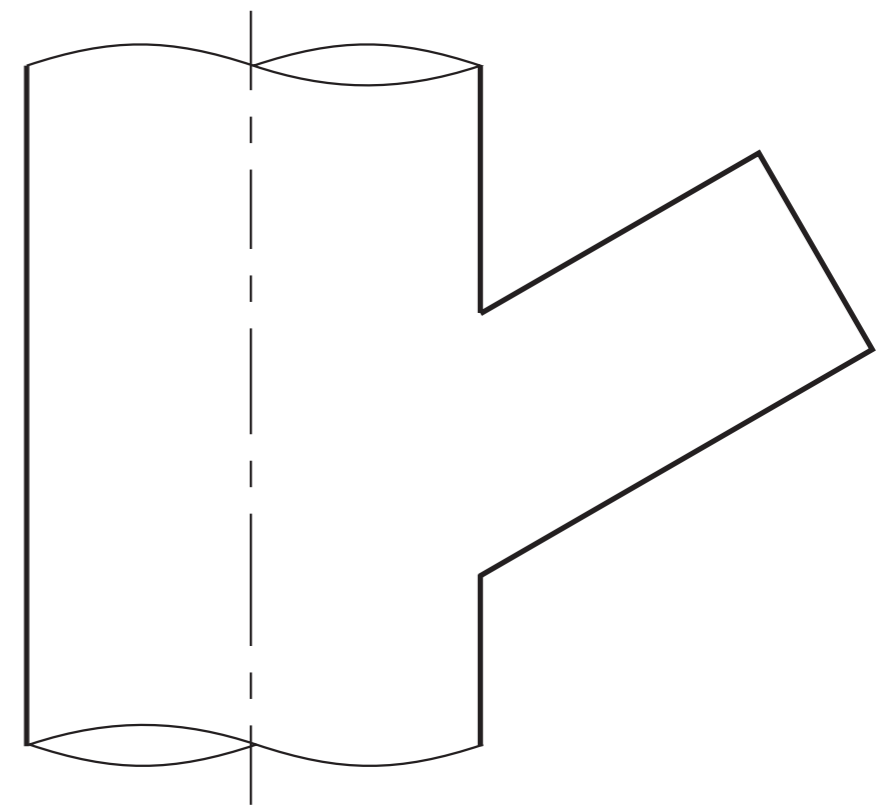
DRAWING TITLE		INTERSECTION PRACTICE 9	
PROJECT TITLE		INTERSECTIONS	
DRAWN BY			
COURSE		HIGHER GRAPHIC COMMUNICATION	
SCHOOL			
SCALE	NTS	 	ALL SIZES IN MM DO NOT SCALE
DATE			
SHEET	9 / 10		

SURFACE DEVELOPMENT OF RECTANGULAR PIPE

SURFACE DEVELOPMENT OF ROUND PIPE



PLAN



FRONT ELEVATION

Two views of a cylinder intersecting a rectangular prism are shown.

- a) Complete the front elevation, showing hidden detail;
- b) Construct the Surface Developments;

Create a 3D CAD model from the drawing
 Create a CAD orthographic drawing

DRAWING TITLE		INTERSECTION PRACTICE 10	
PROJECT TITLE		INTERSECTIONS	
DRAWN BY			
COURSE		HIGHER GRAPHIC COMMUNICATION	
SCHOOL			
SCALE	NTS		
DATE			
SHEET	10 / 10		
ALL SIZES IN MM DO NOT SCALE			