

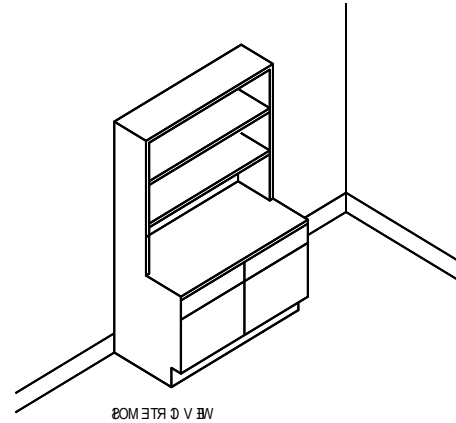
S2 graphic communication

2 POINT PERSPECTIVE HOMEWORK

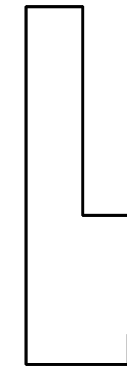
No 3

Draw a 2 point perspective drawing of the unit shown opposite

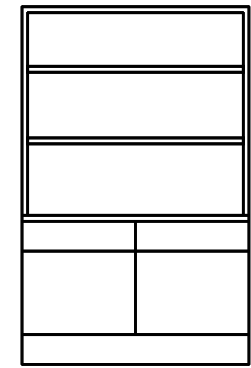
Use the two vanishing points and end elevation which are given.



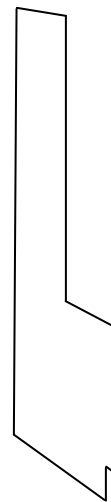
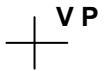
ISOMETRIC VIEW



END ELEVATION



FRONT ELEVATION



NAME..... PRACTICAL SECTION..... GRADE